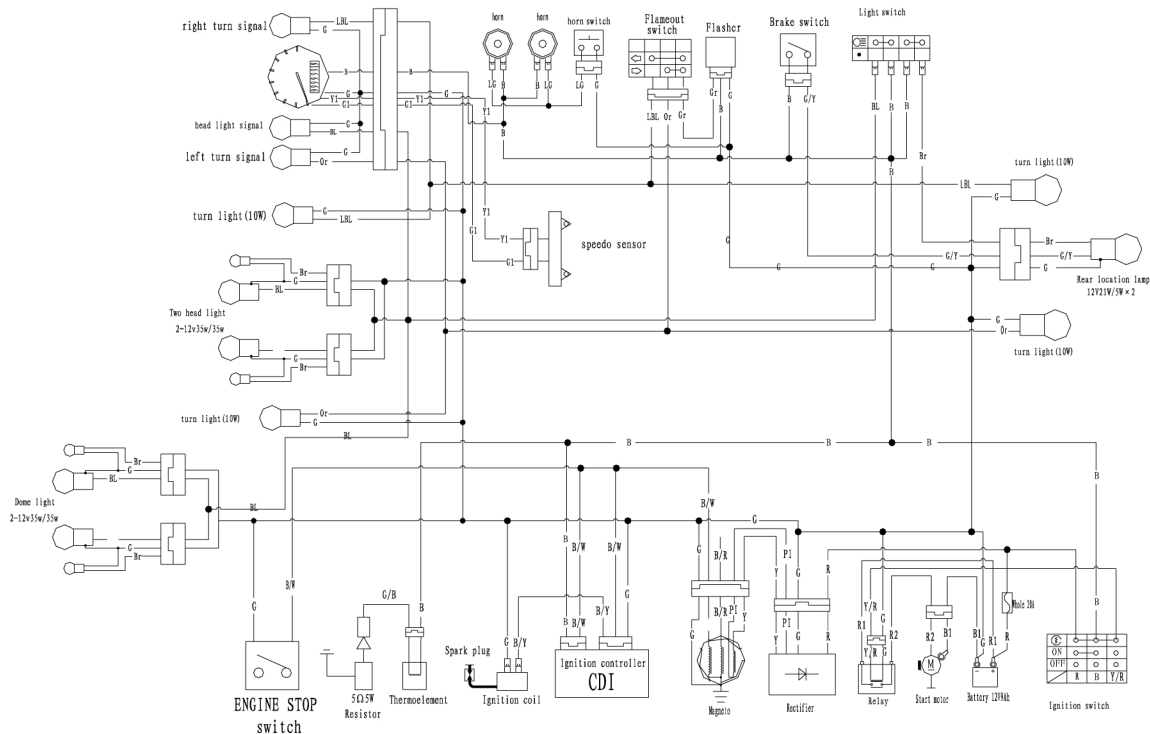


150RX Circuit diagram



1	2	3	4	5	6	7	8	9	10	11	12	13	14	15	16	17	18	19	20	21	22	23	24	25	26	27	28	29
RED	BLACK	GREEN	YELLOW	WHITE	BROWN	BLUE	GRAY	ORANGE	LIGHT BLUE	LIGHT GREEN	PINK	YELLOW/WHITE	BLUE/WHITE	YELLOW/RED	BLUE/YELLOW	BLACK/YELLOW	GREEN/BLACK	LIGHT GREEN/RED	GREEN/YELLOW	BLACK/WHITE	RED/WHITE	BLACK/BROWN	BROWN/WHITE	GREEN/WHITE	DARK GREEN	PURPLE	RED/BLUE	
R	B	G	Y	W	Br	BL	Gr	Dr	LRL	LG	PI	Y/W	BL/W	Y/R	B/R	BL/Y	B/Y	G/B	LGR	G/Y	B/W	B/W	B/Gr	B/W	G/W	Dg	P	B/BL