

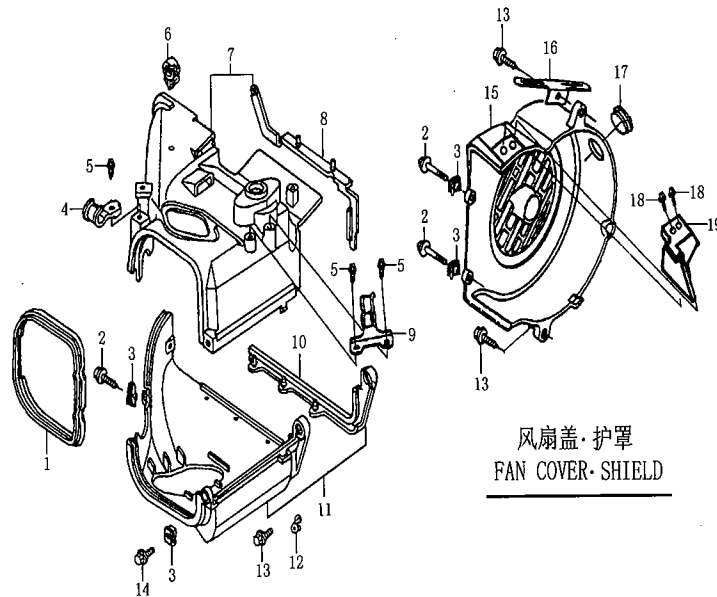
ZONGSHEN MOTORCYCLE

ZS150T-3

**MOTORCYCLE
COMPONENTS
CATALOG**

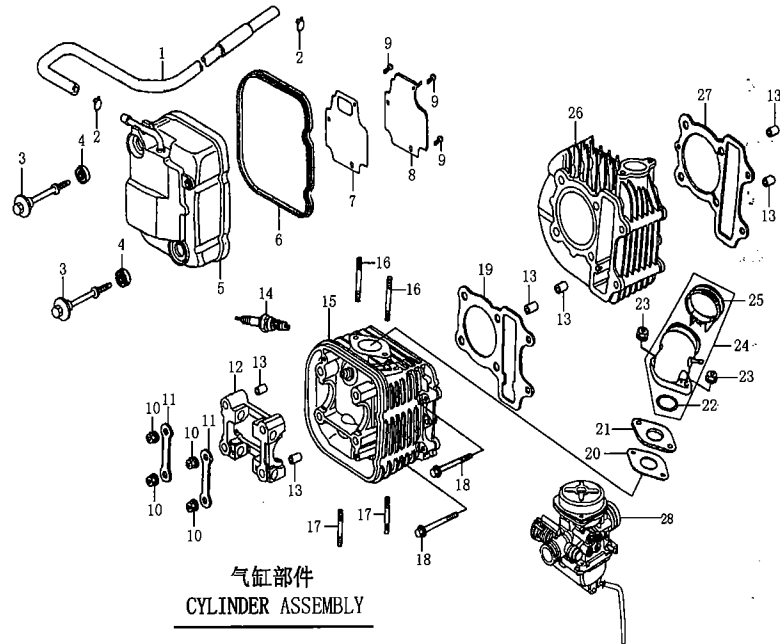
摩托车零部件图册

风扇盖·护罩 FAN COVER, SHIELD



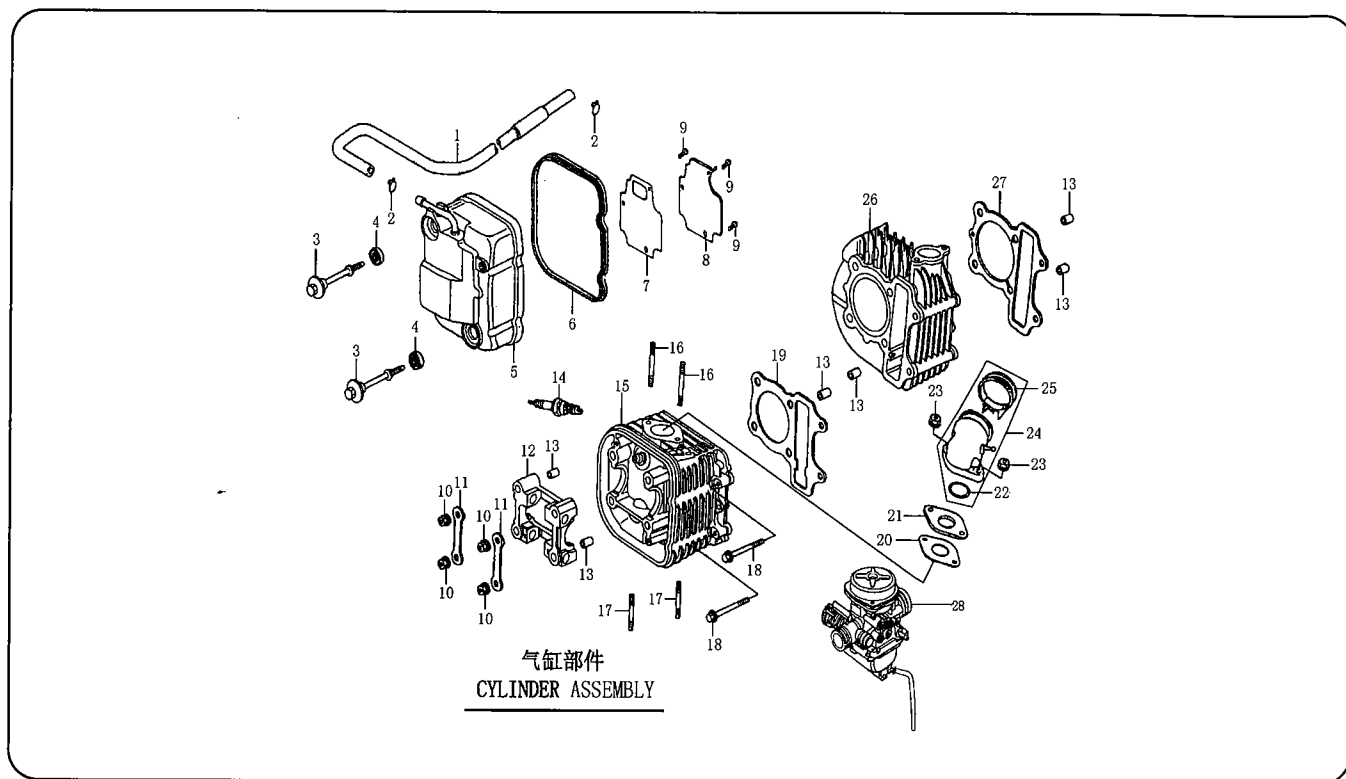
序号 RefNo	编号 Part No	中文名称 Chinese Description	英文名称 English Description	数量 Qty
1	90212-I047-0000	护罩密封胶垫	SEALING CUSHION, SHIELD	1
2	B166740A0600187	小盘螺栓 M6×18	BOLT M6×18	3
3	71119-I015-0000	锁紧螺母 II	LOCK NUT II	4
4	12101-I015-0000	通气管线夹	CIRCLIP, BREATHER TUBE	1
5	B00845000550160	自攻螺钉 ST5.5×16	SCREW ST6×16	3
6		高压线固定夹	CLIP, HIGH VOLTAGE WIRE	1
7	1923B-I047-0000	风扇上护罩组合	ASSEMBLY, UPPER COVER, FAN	1
8	90212-I047-0001	上护罩密封胶垫	SEALING CUSHION, UPPER COVER	1
9	12101-I047-0000	通气管线夹	CIRCLIP, BREATHER TUBE	1
10	90212-I047-0002	下护罩密封胶垫	SEALING CUSHION, LOWER COVER	1
11	1922B-I047-0000	风扇下护罩组合	ASSEMBLY, LOWER COVER, FAN	1
12	12114-I015-0000	溢油管夹	CLIP, SPILLING PIPE	1
13	B166740A0600257	小盘螺栓 M6×25	BOLT M6×25	3
14	B166740A0600167	小盘螺栓 M6×16	BOLT M6×16	1
15	1911B-I047-0000	冷却风扇盖组件	COVER ASSEMBLY, COOLING FAN	1
16	82203-I015-0000	启动电机导线夹	LEAD CLIP, STARTING MOTOR	1
17	19111-I047-0000	冷却风扇盖橡胶塞	RUBBER PLUG, COOLING FAN COVER	1
18	B09456000480120	自攻螺钉 ST4.8×12	SCREW ST4.8×12	2
19	19101-I047-0000	冷却风扇挡板	STOP PLATE, COOLING FAN	1

气缸部件 CYLINDER ASSEMBLY



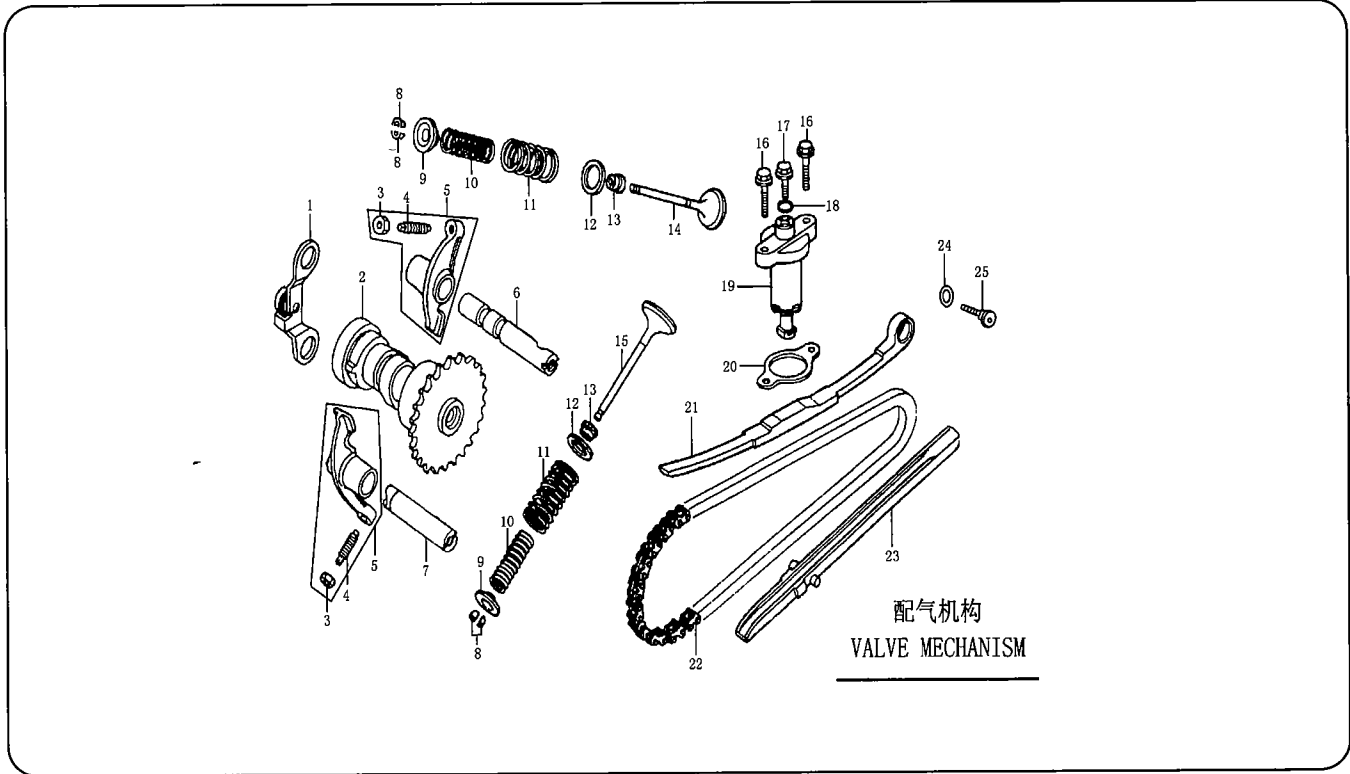
数量 Qty	序号 RefNo	编号 Part No	中文名称 Chinese Description	英文名称 English Description	数量 Qty
1	1	12104-I047-0000	通气管	BREATHER TUBE	1
3	2	91405-I015-0000	通气管卡簧 $\phi 8.5$	CLIP, BREATHER TUBE $\phi 8.5$	2
4	3	91119-I047-0000	缸头盖固定螺钉	SCREW	2
1	4	90250-I047-0000	螺钉胶垫 22×12	GASKET 22×12	2
3	5	11226-I047-0000	气缸头上盖	UPPER COVER, CYLINDER HEAD	1
1	6	90103-I047-0000	气缸头上盖密封圈	GASKET, CYLINDER HEAD UPPER COVER	1
1	7	11244-I047-0000	气缸头盖内盖板	INTERIOR COVER PLATE, CYLINDER HEAD COVER	1
1	8	90215-I047-0000	气缸头盖挡油板密封垫片	GASKET	1
1	9	B00845000420082	自攻螺钉 ST4.2×8	SCREW ST4.2×8	3
1	10	B06177010800009	螺母 M8	NUT M8	4
3	11	11011-I047-0000	连接板	CONNECT PLATE	2
1	12	15131-I047-0000	凸轮轴上座盖	UPPER FLAP, CAMSHAFT	1
1	13	91521-10001600000	定位销 10×16	DOWEL PIN 10×16	6
1	14	81300-G011-0000	火花塞 (A7TC)	SPARK PLUG (A7TC)	1
1	15	1122B-I047-0000	气缸头组合	CYLINDER HEAD ASSEMBLY	1
2	16	91127-I015-0000	进气管双头螺栓 M6×60	STUD M6×60	2
2	17	91138-I047-0000	缸头排气口双头螺栓 M8×32	STUD M8×32	2
1					

气缸部件 CYLINDER ASSEMBLY



序号 RefNo	编号 Part No	中文名称 Chinese Description	英文名称 English Description	数量 Qty
18	B166740A0601007	小盘螺栓 M6×100	BOLT M6×100	2
19	9022B-J026-0000	气缸头密封垫组合	GASKET ASSEMBLY, CYLINDER HEAD	1
20	90214-I015-0000	化油器隔热垫	GASKET, HEAT INSULATING, CARBURETOR	1
21	15810-I015-0000	化油器隔热板	ADIABATIC PLATE, CARBURETOR	1
22	90101-20270002000	O形密封圈 27×2.0	O-RING 27×2.0	1
23	B06177010600009	螺母 M6	NUT M6	2
24	15800-I015-0063	进气管部件 (JQ-63)	ASSEMBLY, INLET PIPE (JQ-63)	1
25	1583B-I015-0000	进气管卡箍组件	CLIP ASSEMBLY, INLET PIPE	1
26	1110B-J026-0000	气缸体部件	ASSEMBLY, CYLINDER BLOCK	1
27	90205-J026-0000	气缸体密封垫	GASKET, CYLINDER BLOCK	1
28	17100-J204-0000	化油器	CARBURETOR	1

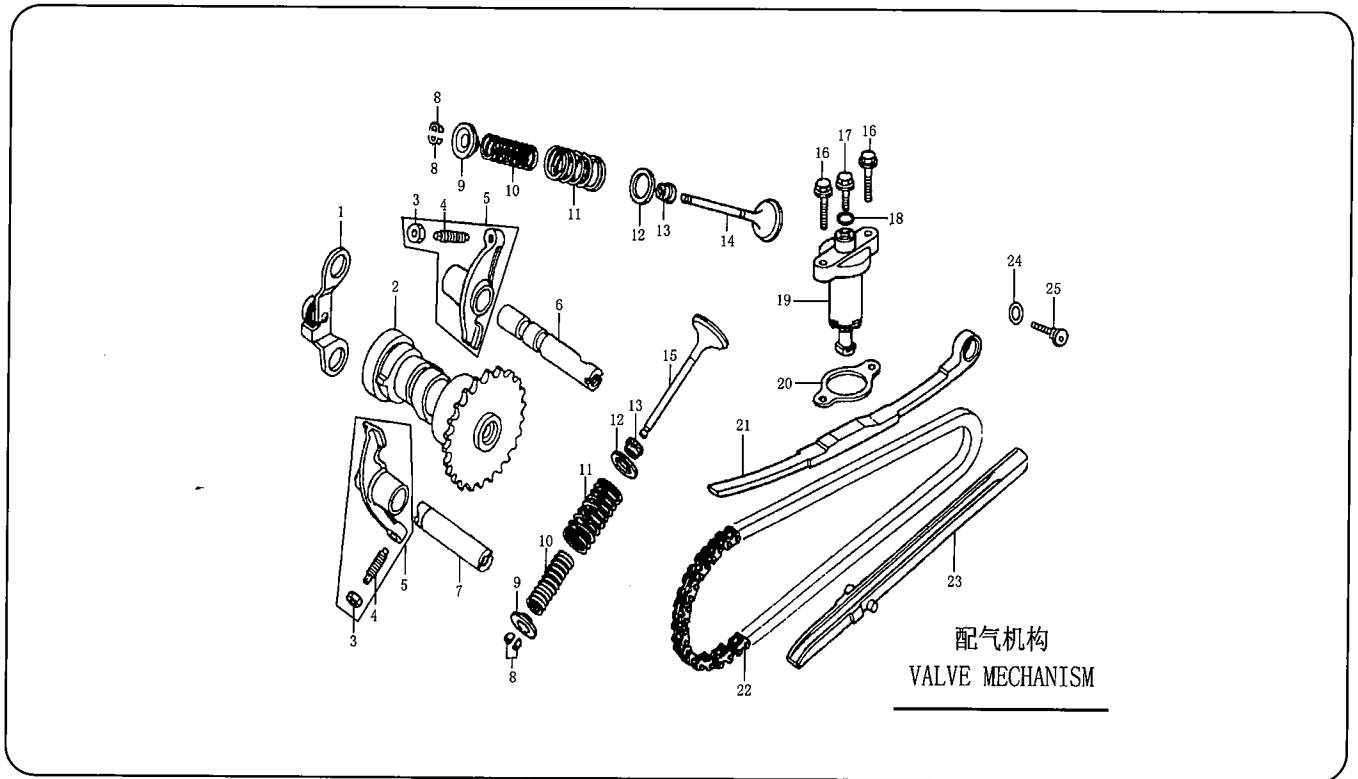
配气机构 VALVE MECHANISM



数量 Qty
2
1
1
1
1
2
1
1
1
1
1
1

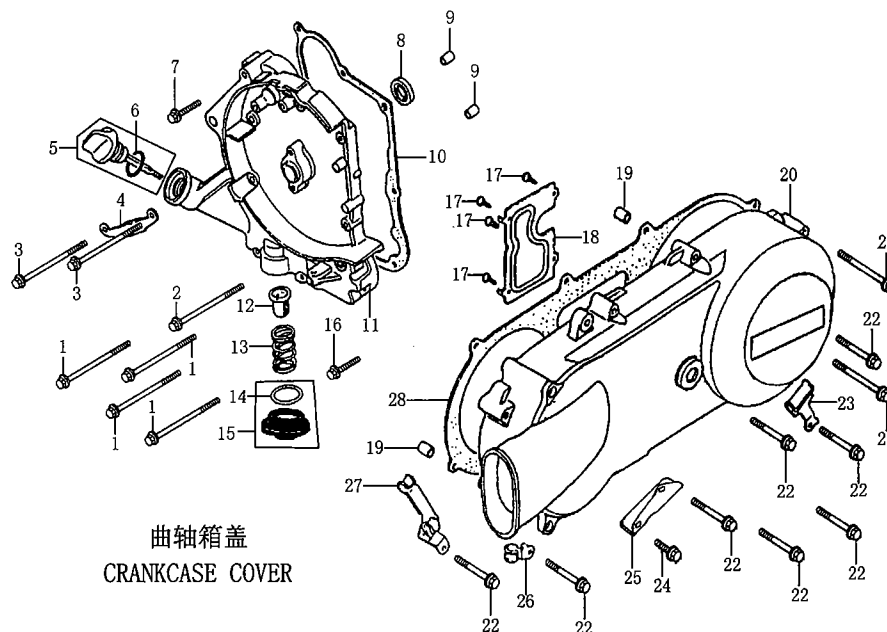
序号 RefNo	编号 Part No	中文名称 Chinese Description	英文名称 English Description	数量 Qty
1	11203-I015-0000	减压阀限位板	LIMIT PLATE, REDUCTING VALVE	1
2	15100-I047-0000	凸轮轴部件	CAMSHAFT PARTS	1
3	15403-D002-0000	气门间隙调节螺母	ADJUSTING NUT, VALVE CLEARANCE	2
4	15404-D002-0000	气门间隙调节螺钉	ADJUSTING SCREW, VALVE CLEARANCE	2
5	1540A-I047-0000	气门摇臂组合	ASSEMBLY, VALVE ROCKER ARM	2
6	15402-I015-1000	气门摇臂轴 (进气)	SHAFT, VALVE ROCKER ARM (INLET)	1
7	15402-I015-2000	气门摇臂轴 (排气)	SHAFT, VALVE ROCKER ARM (EXHAUST)	1
8	15707-D002-0000	气门锁夹	VALVE COTTER	4
9	15705-D002-0000	气门弹簧座 (上)	RETAINER, VALVE SPRING	2
10	15704-I047-0000	气门内弹簧	VALVE INNER SPRING	2
11	15703-I047-0000	气门外弹簧	VALVE OUTER SPRING	2
12	15706-D002-0000	气门外弹簧座圈 (下)	SEAT, VALVE OUTER SPRING	2
13	1572B-D002-0000	挡油罩组合	ASSEMBLY, VALVE STEM SEAL	2
14	15701-I047-0000	进气门	INLET VALVE	1
15	15702-I047-0000	排气门	EXHAUST VALVE	1
16	B166740A0600257	小盘螺栓 M6×25	BOLT M6×25	2

配气机构 VALVE MECHANISM



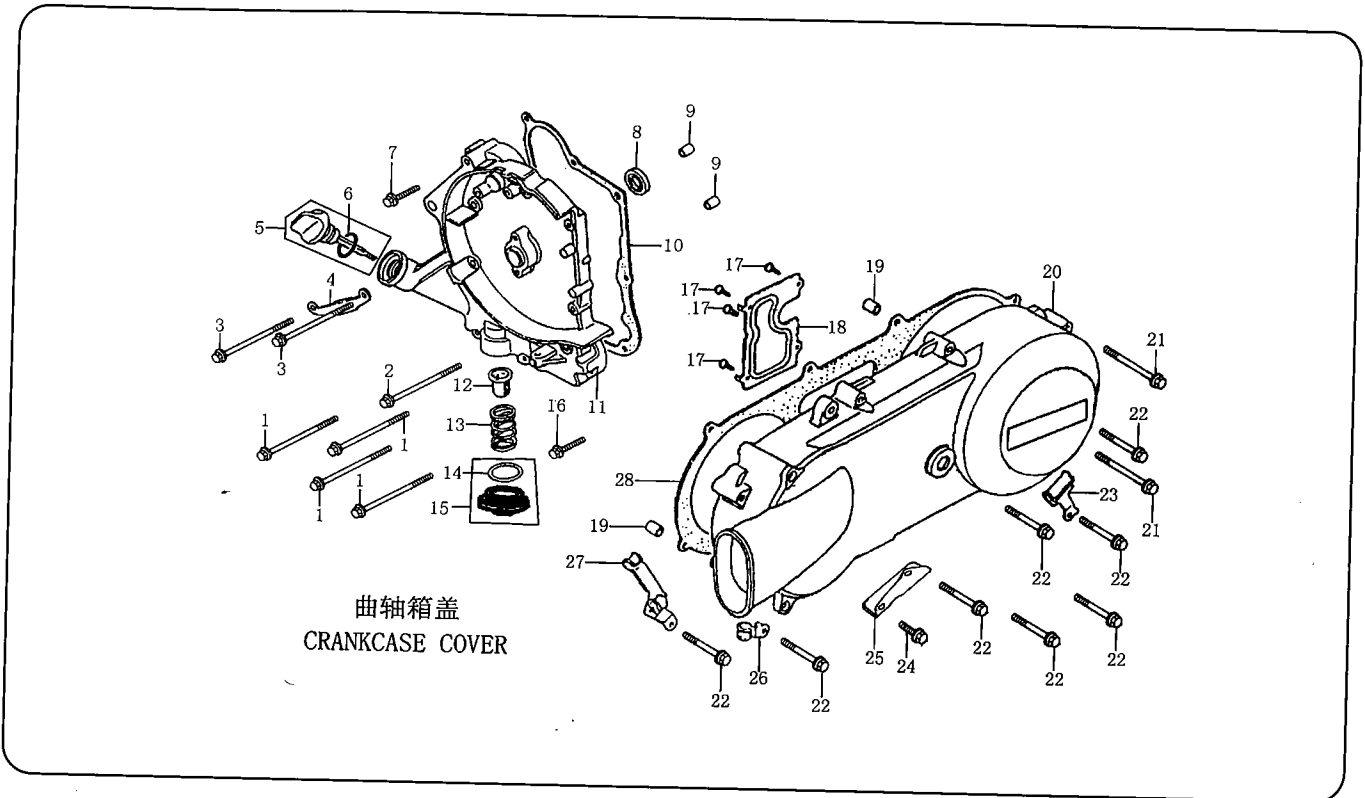
序号 RefNo	编号 Part No	中文名称 Chinese Description	英文名称 English Description	数量 Qty
17	B166740A0600127	小盘螺栓 M6×12	BOLT M6×12	1
18	93301-80621012000	张紧器铜垫 6.2×1×12	WASHER 6.2×1×12 (COPPER)	1
19	1554B-I047-0000	张紧器组合	TENSIONER ASSEMBLY	1
20	90211-I047-0000	张紧器密封垫	GASKET, TENSIONER	1
21	1552A-I015-0000	链条张紧板组合	PLATE ASSEMBLY, TENSION	1
22	1532B-I047-0000	正时链条组合 (94 节)	ASSEMBLY, TIMING CHAIN (94)	1
23	1553A-I015-0000	链条导向板组合	GUIDE PLATE ASSEMBLY	1
24	90101-10152000150	O 形密封圈 15.2×1.5	O-RING 15.2×1.5	1
25	15507-I015-0000	固定链条拉力杆螺栓	BOLT ,FIXING CHAIN	1

曲轴箱盖 (长箱盖) CRANKCASE COVER

数量
Qty

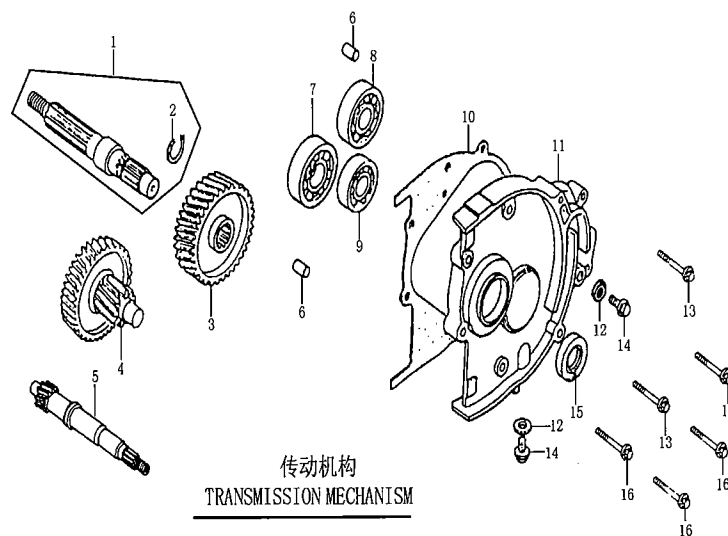
序号 RefNo	编号 Part No	中文名称 Chinese Description	英文名称 English Description	数量 Qty
1	B166740A0600957	小盘螺栓 M6×95	BOLT M6×95	4
1	B166740A0601007	小盘螺栓 M6×100	BOLT M6×100	1
1	B166740A0601107	小盘螺栓 M6×110	BOLT M6×110	2
1	12401-I015-0000	A.C.G 压线夹	CLIP, A.C.G WIRE	1
1	14301-I015-0200	机油尺组合(PA66)	DIPSTICK	1
1	90101-10180000300	O 形密封圈 18×3	O-RING 18×3	1
1	B166740A0600357	小盘螺栓 M6×35	BOLT M6×35	1
1	90302-I015-0001	右曲轴油封 19.8×30×7	OIL SEAL, RIGHT CRANKSHAFT 19.8×30×7	1
1	91521-08001400000	定位销 8×14	DOWEL PIN 8×14	2
10	90206-I015-0000	右曲轴箱盖密封垫	GASKET, RIGHT CRANKCASE COVER	1
11	12421-I015-0000	右曲轴箱盖组合	ASSEMBLY, RIGHT CRANKCASE COVER	1
12	1431B-I006-0000	CB125 脚机油过滤网组合	ASSEMBLY, OIL FILTER SCREEN	1
13	14221-I015-0000	机油过滤网弹簧	SPRING, OIL FILTER SCREEN	1
14	90101-20296000320	70 气门盖 O 形密封圈 29.6×3.2(氟硅胶)	O-RING 29.6×3.2	1
15	11229-D002-0000	气门室盖组合	ASSEMBLY, TAPPET ADJUSTING HOLE CAP	1

曲轴箱盖 (长箱盖) CRANKCASE COVER



序号 RefNo	编号 Part No	中文名称 Chinese Description	英文名称 English Description	数量 Qty
16	B166740A0600327	小盘螺栓 M6×32	BOLT M6×32	1
17	B00845000420080	自攻螺钉 ST4.2×8	SCREW ST4.2×8	4
18	12311-I015-0000	通气导板	GUIDE PLATE, AEARTE	1
19	91521-08001400000	定位销 8×14	DOWEL PIN 8×14	2
20	12301-J026-1000	左曲轴箱盖	COVER, LEFT CRANKCASE	1
21	B166740A0600657	小盘螺栓 M6×65	BOLT M6×65	2
22	B166740A0600407	小盘螺栓 M6×40	BOLT M6×40	8
23	10006-I015-0000	刹车导线夹	CLAMP, BRAKE WIRE	1
24	B166740A0600147	小盘螺栓 M6×14	BOLT M6×14	1
25	21130-I015-0000	主支架制止板	STOP PLATE, MAIN STAND	1
26	12108-I015-0000	溢流管夹	CLIP, OVERFLOW PIPE	1
27	10007-I015-0000	节流导线夹	CLAMP, WIRE	1
28	90204-I047-0000	左曲轴箱盖密封垫	GASKET, LEFT CRANKCASE COVER	1

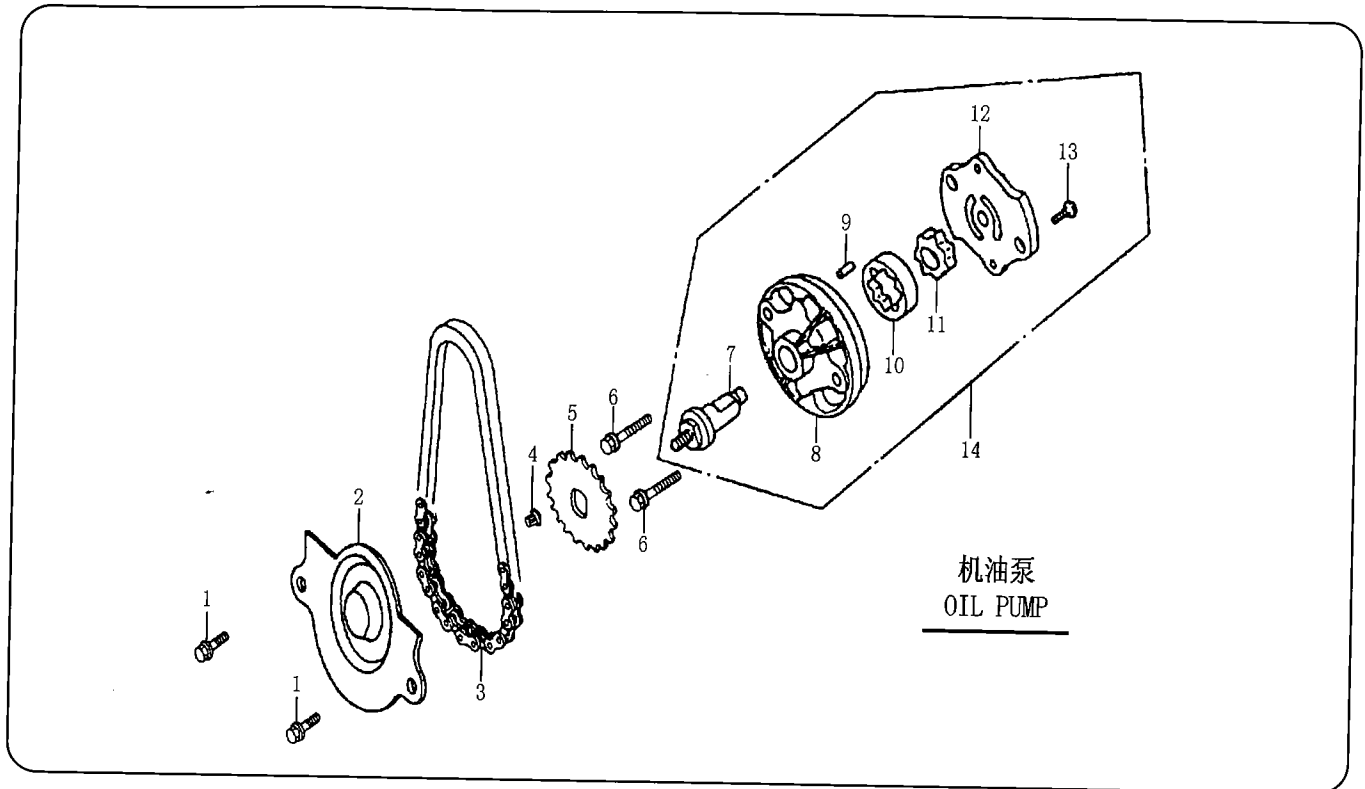
传动机构 TRANSMISSION MECHANISM

数量
Qty

1
4
1
2
1
2
8
1
1
1
1
1

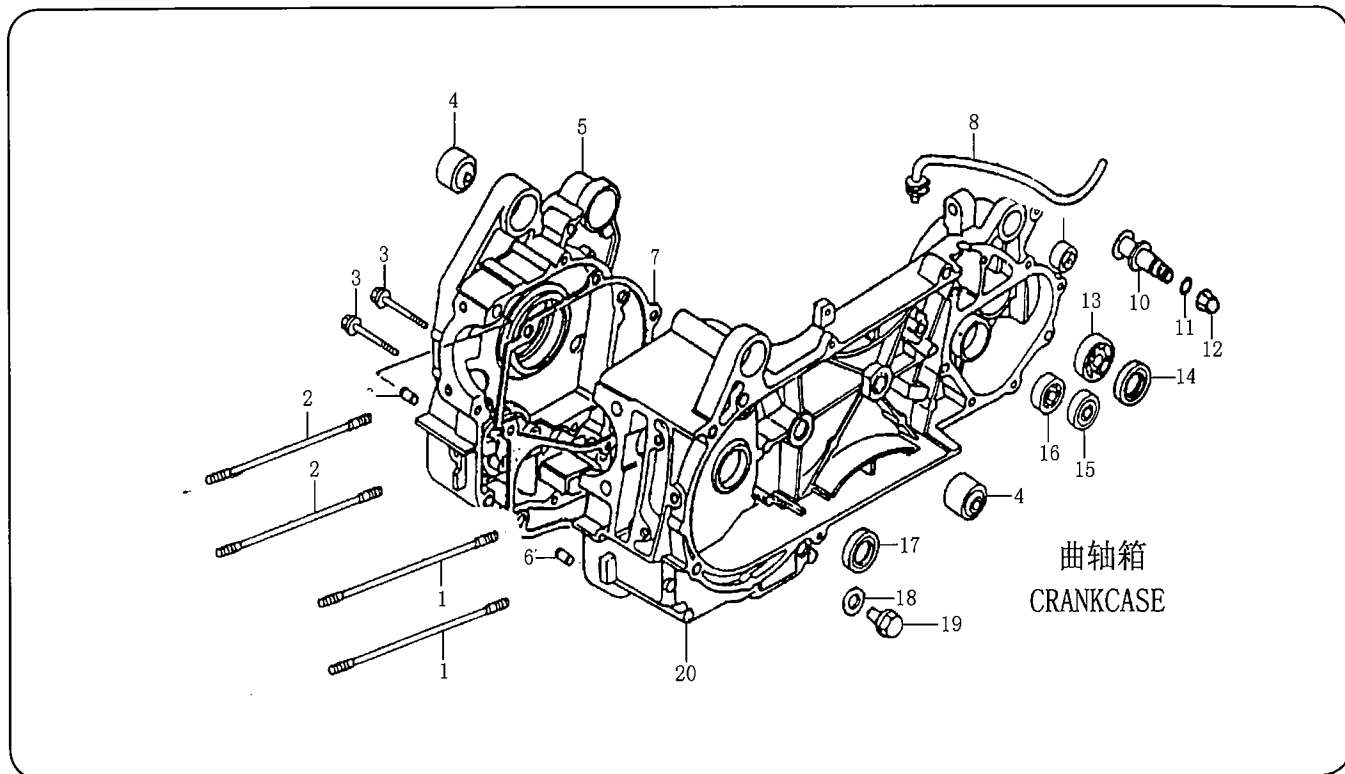
序号 RefNo	编号 Part No	中文名称 Chinese Description	英文名称 English Description	数量 Qty
1	23231-I047-0002	最终轴组合	ASSEMBLY, FINALLY SHAFT	1
2	B0089401200000000	挡圈 20	CIRCLIP 20	1
3	23232-I047-0000	最终齿轮组件 (40 齿)	ASSEMBLY, FINALLY GEAR (40)	1
4	2352B-I047-0000	中间轴组合	ASSEMBLY, MIDDLE SHAFT	1
5	23220-I047-0000	主轴组合 (15 齿)	MAINSHAFT ASSEMBLY (15)	1
6	91521-08001400000	定位销 8×14	DOWEL PIN 8×14	2
7	92102-00000006204	轴承 (6204)	BEARING (6204)	1
8	92102-00000006203	轴承 (6203)	BEARING (6203)	1
9	92102-00000006202	轴承 (6202)	BEARING (6202)	1
10	90216-I015-0000	变速箱密封垫	GASKET, GEARSHIFT CASE	1
11	12422-I015-0000	变速箱盖	COVER, GEARSHIFT CASE	1
12	93301-70821816000	油孔铝垫圈 8.2×1.8×16	WASHER 8.2×1.8×16 (ALUMINIUM)	2
13	B166740A0600357	小盘螺栓 M6×35	BOLT M6×35	3
14	B166740A0800127	小盘螺栓 M8×12	BOLT M8×12	2
15	90310-I015-0000	驱动主轴油封 20×32×6	OIL SEAL 20×32×6	1
16	B166740A0600287	小盘螺栓 M6×28	BOLT M6×28	3

机油泵 OIL PUMP



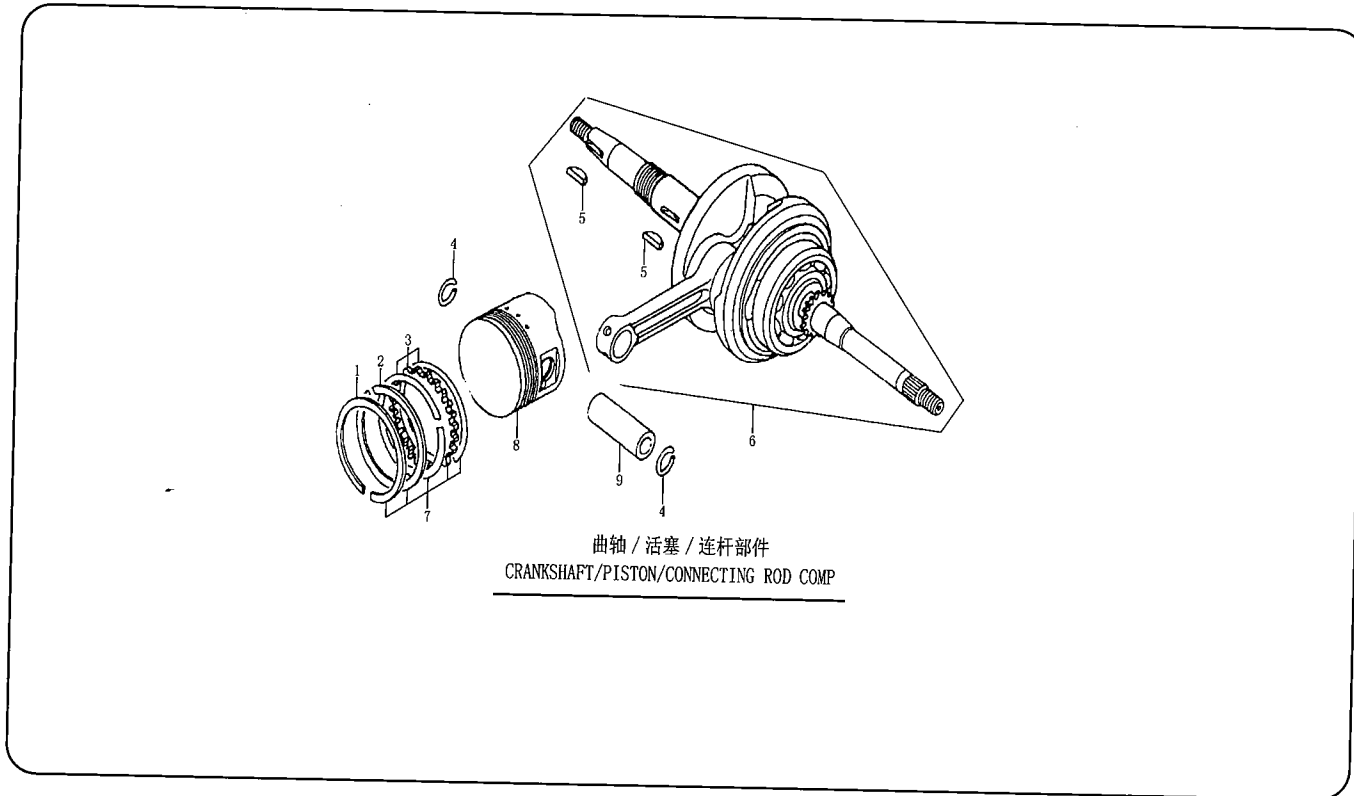
序号 RefNo	编号 Part No	中文名称 Chinese Description	英文名称 English Description	数量 Qty
1	B166740A0600127	小盘螺栓 M6×12	BOLT M6×12	2
2	12002-I015-0000	机油隔板	BAFFLE PLATE, LUBRICATING OIL	1
3	14103-I015-0000	机油泵链条 (44 节)	CHAIN, OIL PUMP (44)	1
4	B06177010600009	螺母 M6	NUT M6	1
5	1432B-I015-0000	机油泵传动链轮	DRIVEN SPROCKET, OIL PUMP	1
6	B166740A0600257	小盘螺栓 M6×25	BLOT M6×25	2
7	14107-I015-0000	油泵轴	SHAFT, OIL PUMP	1
8	14110-I015-0000	机油泵壳体	CASE, OIL PUMP	1
9	91522-04000600000	定位销 4×6.0	DOWEL PIN 4×6.5	1
10	14112-I015-0000	机油泵外转子	OUTER ROTOR, OIL PUMP	1
11	14111-I015-0000	机油泵内转子	INNER ROTOR, OIL PUMP	1
12	14108-I015-0000	机油泵盖板	COVER, OIL PUMP	1
13	B00818000300082	螺钉 M3×10	SCREW M3×10	1
14	14100-I015-0000	机油泵部件	OIL PUMP	1

曲轴箱 CRANKCASE



数量 Qty	序号 RefNo	编号 Part No	中文名称 Chinese Description	英文名称 English Description	数量 Qty
2	1	91101-I047-0000	气缸双头螺栓 A M8×209	STUD A M8×209	2
1	2	91102-I047-0000	气缸双头螺栓 B M8×201	STUD B M8×201	2
1	3	B166740A0600507	小盘螺栓 M6×50	BOLT M6×50	2
1	4	1215B-I015-0000	发动机吊架橡胶衬套组件	RUBBER BUSH ASSEMBLY, ENGINE HANG BRACKET	2
1	5	1222B-I015-0000	右曲轴箱组合	ASSEMBLY, RIGHT CRANKCASE	1
2	6	91521-08001400000	定位销 8×14	DOWEL PIN 8×14	2
1	7	90208-I015-0000	曲轴箱密封垫	GASKET, CRANKCASE	1
1	8	12105-I015-0000	通气管	BREATHER TUBE	1
1	9	12140-I015-0000	后缓冲器下端衬套组件	ASSEMBLY, REAR BUMPER LOWER END	1
1	10	92102-0006004-2RS	轴承 (6004-2RS)	BEARING (6004-2RS)	1
1	11	90311-I015-0000	最终轴油封 27×42×7	OIL SEAL, FINALLY SHAFT 27×42×7	1
1	12	92102-00000006301	轴承 (6301)	BEARING (6301)	1
1	13	92102-00000006002	轴承 (6002)	BEARING (6002)	1
	14	90302-I015-0000	左曲轴油封 19.8×30×7	OIL SEAL, LEFT CRANKSHAFT 19.8×30×7	1
	15	93301-71251520000	垫圈 12.5×1.5×20	WASHER 12.5×1.5×20	1
	16	91103-D002-0000	放油螺塞 M12×1.5	OIL DRAIN PLUG M12×1.5	1
	17	1212B-J026-0001	左曲轴箱组合(加长标准款)	ASSEMBLY, LEFT CRANKCASE	1

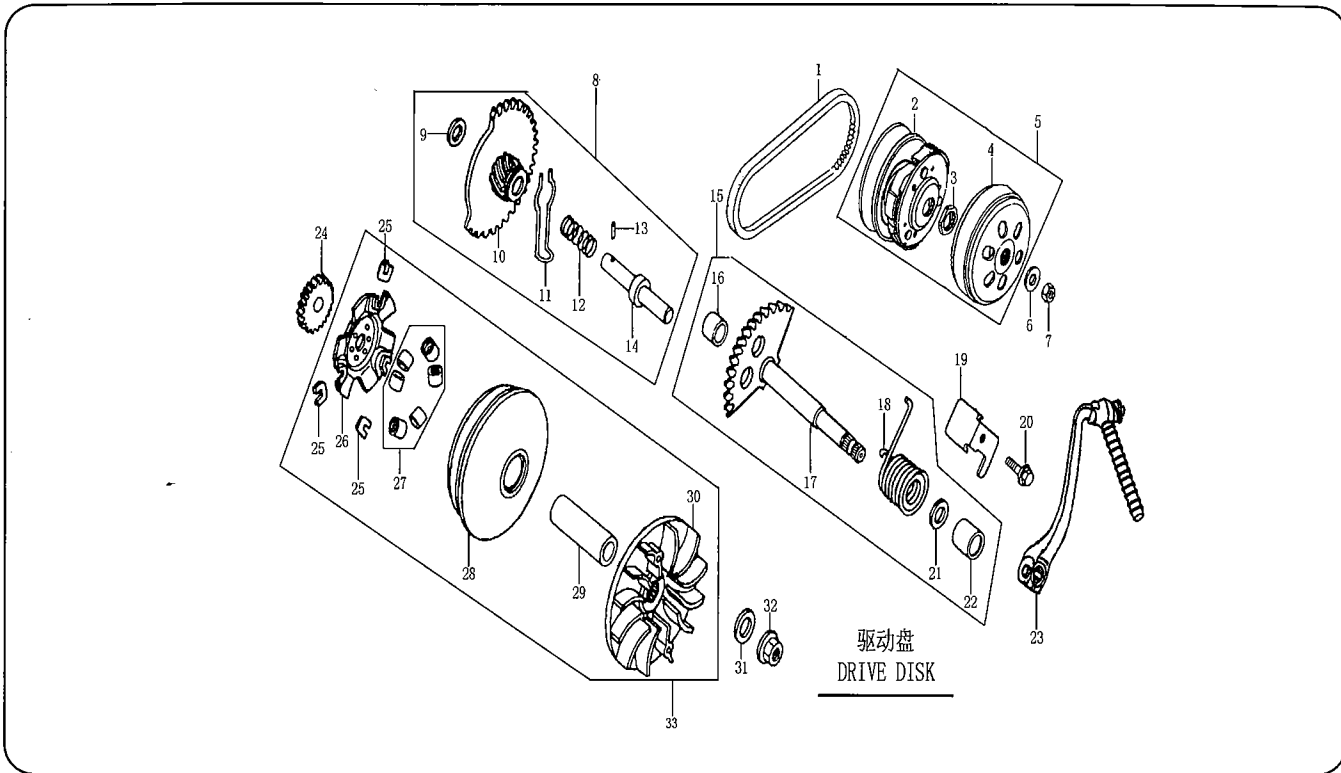
曲轴/活塞/连杆部件 CRANKSHAFT/PISTON/CONNECTING ROD COMP



序号 RefNo	编号 Part No	中文名称 Chinese Description	英文名称 English Description	数量 Qty
1	13103-J026-0000	活塞环一	PISTON RING (1ST)	1
2	13104-J026-0000	活塞环二	PISTON RING (2ND)	1
3	13120-J026-0000	油环组合	ASSEMBLY, OIL RING	1
4	91401-I006-0000	活塞销挡圈	CIRCLIP, PISTON PIN	2
5	91601-I015-0000	半圆键 25×14×4	SEMICIRCULAR KEY 25×14×4	2
6	1320B-J026-0000	曲轴连杆部件	ASSEMBLY, CRANK SHAFT CONNECTING ROD	1
7	1310A-J026-0000	活塞环总成	ASSEMBLY, PISTON RING	1
8	13101-J026-0000	活塞	PISTON	1
9	13102-J026-0000	活塞销	PISTON PIN	1



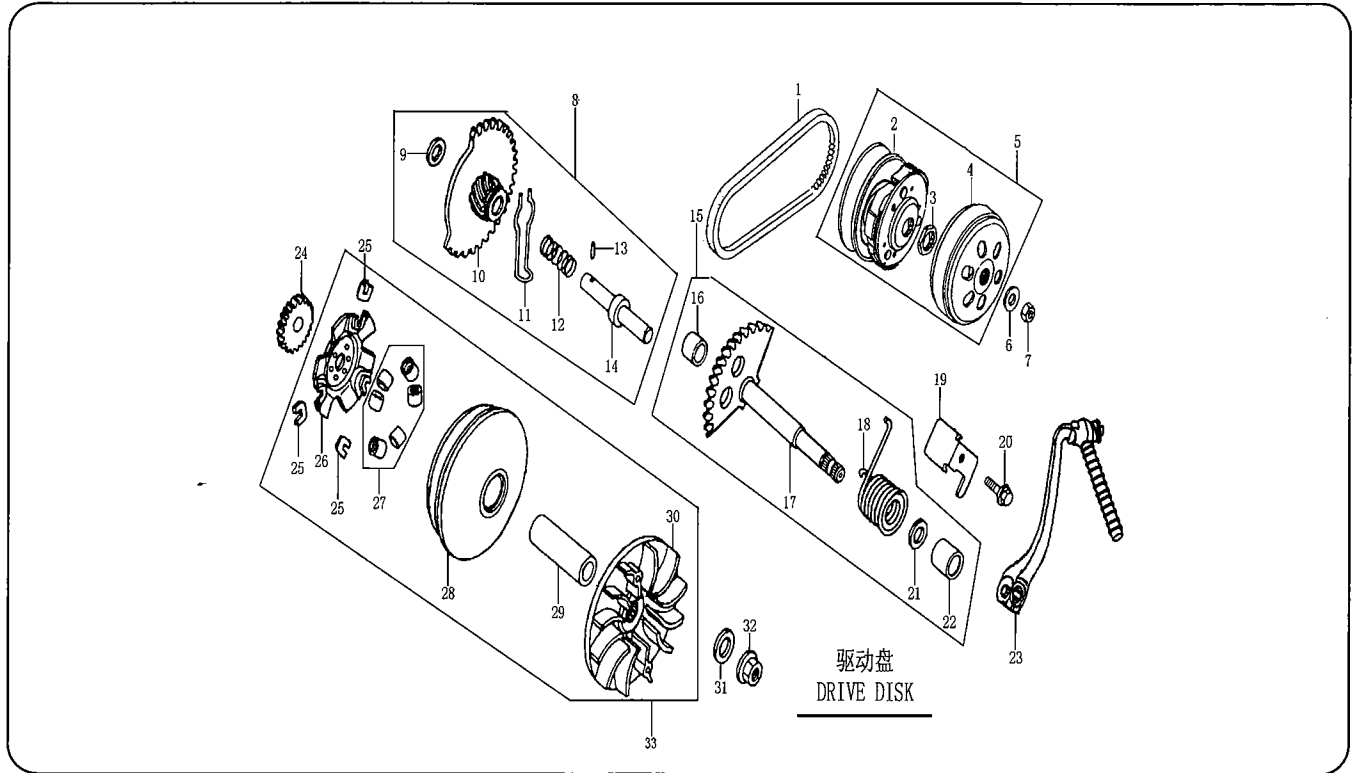
驱动盘 DRIVE DISK



	数量 Qty
	1
	1
	1
	2
	2
AFT	1
	1
	1
	1

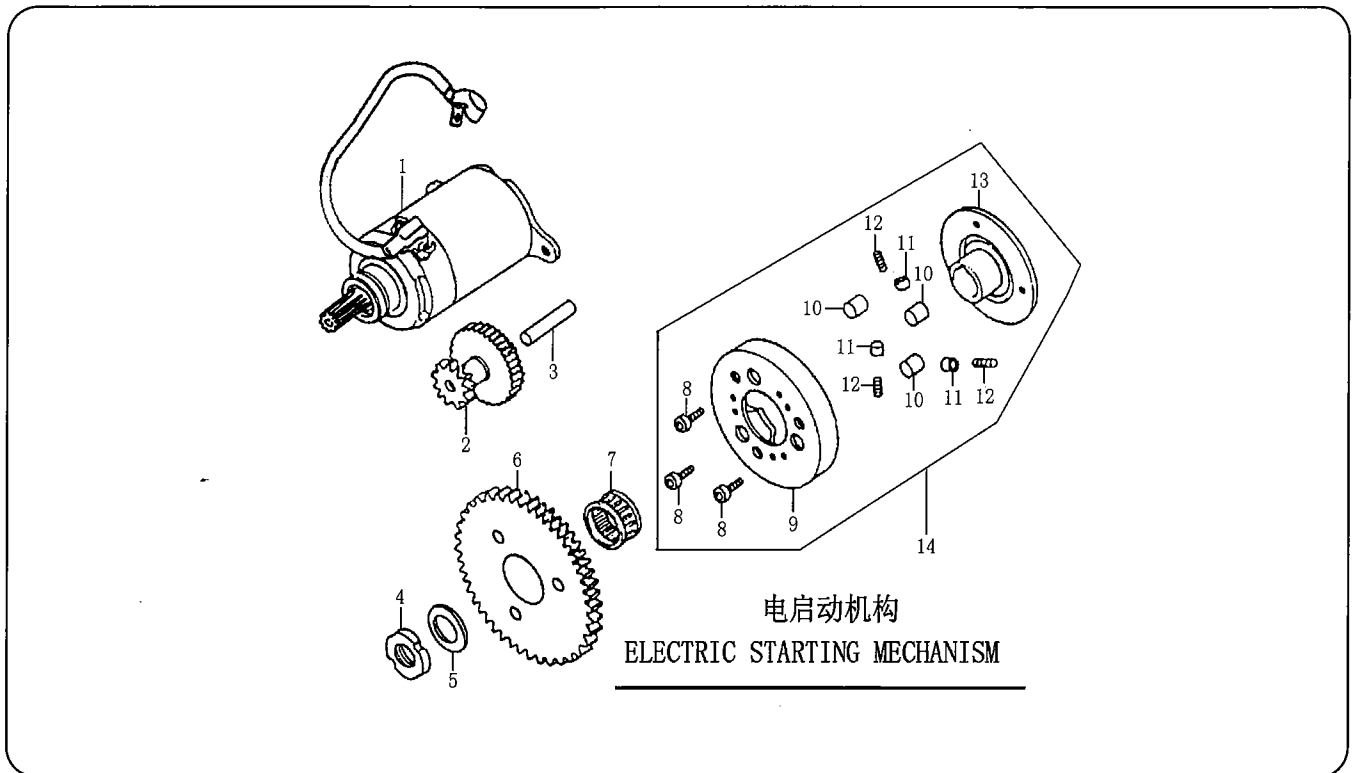
序号 RefNo	编号 Part No	中文名称 Chinese Description	英文名称 English Description	数量 Qty
1	26330-J026-0000	驱动三角皮带组合	ASSEMBLY, DRIVE TRIGONAL BELT	1
2	26210-I015-0000	从动皮带轮组件	ASSEMBLY, DRIVEN BELT WHEEL	1
3	91211-I015-0000	从动轮螺母	NUT, DRIVEN GEAR	1
4	26220-I015-0000	摩擦盘组合	SUBASSEMBLY, FRICTION WHEEL	1
5	26200-I015-0000	从动皮带轮部件	ASSEMBLY, DRIVEN BELT WHEEL	1
6	93301-11222524000	垫圈 12.2×2.5×24	WASHER 12.2×2.5×24	1
7	91208-I015-0000	初级离合器锁紧螺母 M12×1.25	NUT M12×1.25	1
8	21120-I015-0000	启动惰轮组件	IDLE WHEEL, KICK STARTER	1
9	93301-A1251522000	尼龙垫圈 12.5×1.5×22	NYLON WASHER 12.5×1.5×22	1
10	2111B-I015-0000	启动棘轮组合	RATCHET WHEEL ASSEMBLY, KICK STARTER	1
11	21125-I015-0000	启动摩擦弹簧	FRICTION SPRING, KICK STARTER	1
12	21119-I015-0000	启动棘轮弹簧	SPRING, KICK STARTING RATCHET WHEEL	1
13	B0011901030085000	销子 3×8.5	PIN 3×8.5	1
14	21126-I015-0000	启动棘轮轴	RATCHET WHEEL SHAFT, KICK STARTER	1
15	21100-I015-0001	启动轴总成	KICK STARTING SHAFT ASSEMBLY	1

驱动盘 DRIVE DISK



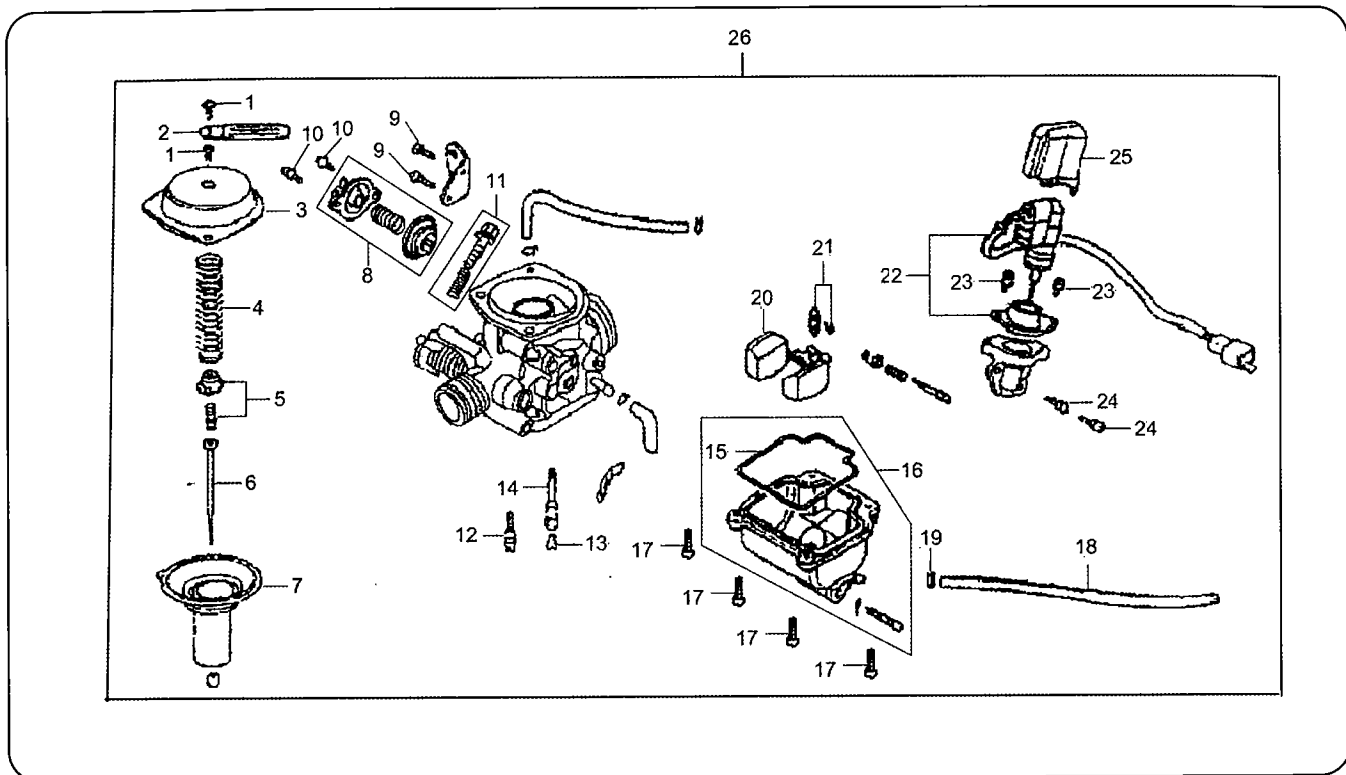
序号 RefNo	编号 Part No	中文名称 Chinese Description	英文名称 English Description	数量 Qty
16	21102-I015-0000	启动轴轴套	SLEEVE, KICK STARTING SHAFT	1
17	21101-I015-0000	启动轴部件	KICK STARTING SHAFT PARTS	1
18	21106-I015-0000	启动轴复位弹簧	RETURN SPRING, KICK STARTING SHAFT	1
19	21110-I015-0000	启动回位挡板	SPRING SEAT, KICK STARTER	1
20	B166740A0600127	小盘螺栓 M6×12	BOLT M6×14	1
21	93301-H1421021000	启动轴垫圈 14.2×1.0×21	WASHER 14.2×1.0×21	1
22	21103-I015-0000	反冲启动轴衬套	SLEEVE, KICK STARTING SHAFT	1
23	21200-I047-0027	启动臂部件 (QD-27)	ASSEMBLY, KICK STARTING LEVER (QD-27)	1
24	21109-I015-0000	启动从动齿轮	DRIVEN GEAR KICK STARTER	1
25	26103-I015-0000	缓冲块	CUSHION	3
26	26106-I015-0000	斜坡板	RAMP PLATE	1
27	26131-I015-0000	离心滚子	CENTRIFUGAL ROLLER	6
28	26120-I015-0000	移动摩擦轮组件	MOVING FRICTION WHEEL	1
29	26102-I015-0000	滑套	SLEEVE	1
30	26110-I015-0000	驱动盘	DRIVE PLATE	1
31	93301-11222524000	垫圈 12.2×24×2.5	WASHER 12.2×24×2.5	1
32	91202-I015-0000	离合器锁紧螺母 M12×1.25	NUT M12×1.25	1
33	26100-I015-0000	主动皮带轮部件	ASSEMBLY, DRIVE BELT WHEEL	1

电启动机构 ELECTRIC STARTING MECHANISM



序号 RefNo	编号 Part No	中文名称 Chinese Description	英文名称 English Description	数量 Qty
1	82200-I015-0000	启动电机部件	ASSEMBLY, STARTING MOTOR	1
2	21421-I015-0000	双联齿轮 (一)	DOUBLE GEAR (1ST)	1
3	21402-I015-0000	双联齿轮轴	SHAFT, DOUBLE GEAR	1
4	91209-I015-0000	超越离合器锁紧螺母 M22×1	NUT M22×1	1
5	93301-1222531000	垫圈 22.2×2.5×31	WASHER 22.2×2.5×31	1
6	21314-I015-0000	盘形齿轮	GEAR, STARING CLUTCH	1
7	92102-0000K283217	滚针轴承 (K283217)	NEEDLE BEARING (K283217)	1
8	B00070010600187	螺钉 M6×18	SCREW M6×18	3
9	21309-I015-0000	启动离合器本体	STARTING CLUTCH BODY	1
10	21304-I015-0000	启动离合器滚柱	ROLLER, STARTING CLUTCH	3
11	21305-I015-0000	启动离合器弹簧套	SOCKET, SPRING, STARTING CLUTCH	3
12	21303-I015-0000	启动离合器滚柱弹簧	SPRING, ROLLER, STARTING CLUTCH	3
13	21312-I015-0000	启动离合器凸缘	FLANGE, STARING CLUTCH	1
14	21300-I015-0000	超越离合器部件	ASSEMBLY, OVERRUNNING CLUTCH	1

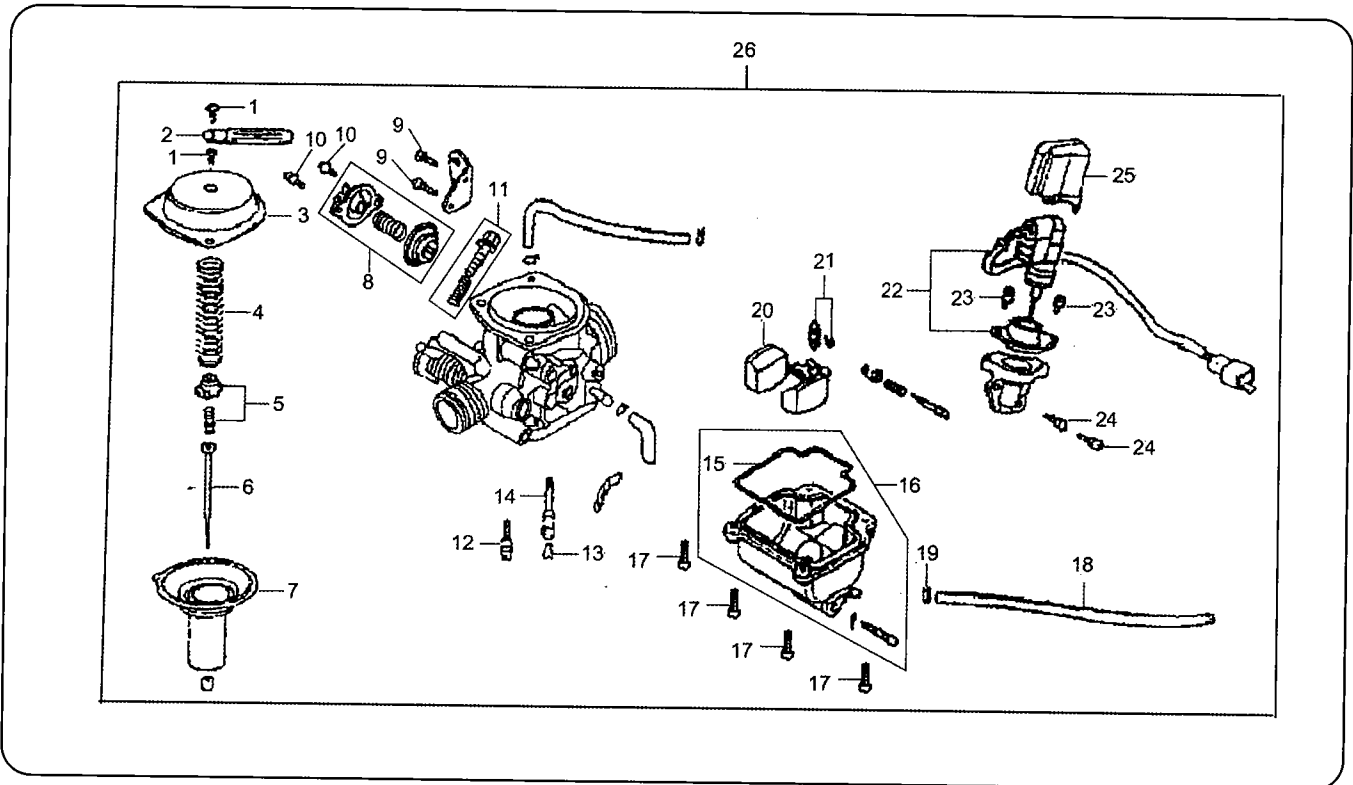
化油器 CARBURETOR



数量 Qty
1
1
1
1
1
1
1
1
3
1
3
3
1
1

序号 RefNo	编号 Part No	中文名称 Chinese Description	英文名称 English Description	数量 Qty
1	GB/T818-2000	螺钉 M4×8	SCREW M4×8	2
2	17104-J204-0000	板夹	PLATE CLIP	1
3	17102-J204-0000	化油器顶盖	CAP,VACUUM PISTON VALVE	1
4	17176-J204-0000	膜片压紧弹簧	SPING	1
5	17153-J204-0000	主喷油针支座	PLATE SET	1
6	17156-J204-0000	主油针	OIL NEEDLE	1
7	17110-J204-0000	真空活塞阀	VACUUM PISTON VALVE	1
8	17105-J204-0000	阻风阀组	AIR BLOCK VALVE	1
9	GB/T818-2000	螺钉 M5×12	SCREW M5×12	2
10	GB/T818-2000	螺钉 M4×10	SCREW M4×10	2
11	17111-J204-0000	怠速调节螺钉组	SCREW SET	1
12	91125-J204-0000	怠速量孔 35#	INJECTING NOZZLE 35#	1
13	17118-J204-0000	主量孔 112#	MAIN INJECTING NOZZLE 112#	1
14	17153-J204-0000	油针支座	BASE,OIL NEEDLE	1
15	17174-J204-0000	密封圈	GASKET	1
16	17140-J204-0000	浮子室组	FLOAT CHAMBER	1
17	GB/T818-2000	螺钉 M4×14	SCREW M4×14	4
18	17148-J204-0000	化油器放油管	OVERFLOW TUBE	1
19	17150-J204-0000	管夹	TUBE CLIP	1
20	17154-J204-0000	化油器浮子	FLOAT CANISTER ASSY.	

化油器 CARBURETOR



序号 RefNo	编号 Part No	中文名称 Chinese Description	英文名称 English Description	数量 Qty
21	17155-J204-0000	浮子阀门组件	FLOST CANISTER VALVE	2
22	171B3-J204-0000	起动阀组	STARTING VALVE SET	1
23	GB/T818-2000	螺钉M5×12	SCREW M5×12	2
24	GB/T818-2000	螺钉M4×8	SCREW M4×8	2
25	171B8-J204-0000	起动加浓阀防尘帽	CAP,STARTING VALVE	1
26	17100-J204-0000	化油器	CARBURETOR	1

