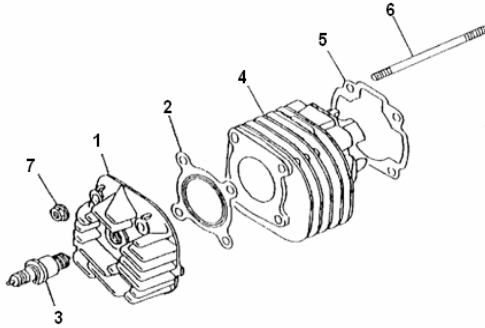


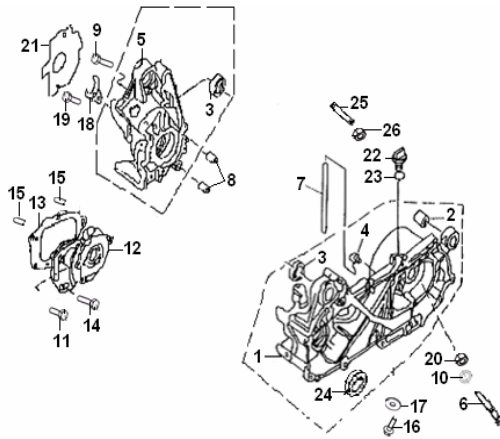
# **ENGINE PARTS LIST OF QJ50QT-2**

## **EXPRESSO 50**



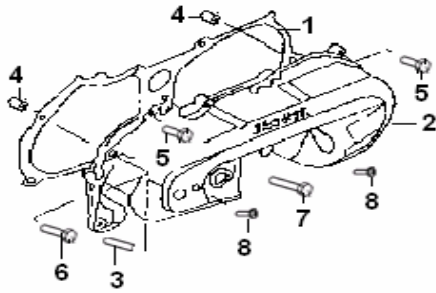
### **CYLINDER HEAD ASSY**

| NO | CODE          | DESCRIPTION           | QTY/P |
|----|---------------|-----------------------|-------|
| 1  | 30701B01F000  | HEAD, CYLINDER        | 1     |
| 2  | 30507B01F000  | GASKET, CYLINDER HEAD | 1     |
| 3  | 201204.013000 | SPARK PLUG            | 1     |
| 4  | 27101B01F00A  | CYLINDER              | 1     |
| 5  | 204204.001000 | GASKET, CYLINDER      | 1     |
| 6  | 26107B01F910  | STUD BOLT             | 4     |
| 7  | 304290700062  | NUT                   | 4     |
|    |               |                       |       |
|    |               |                       |       |



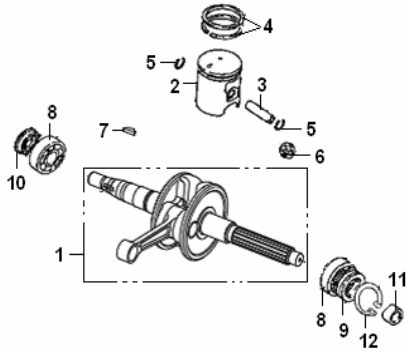
**CRANKCASE ASSY**

| NO | CODE          | DESCRIPTION                | QTY | P |
|----|---------------|----------------------------|-----|---|
| 1  | 26100B01F00B  | CRANKCASE, LH              | 1   |   |
| 2  | 26108G02F000  | BUSH,ENGINE MOUNTING       | 1   |   |
| 3  | 207230.002000 | BUSH,ENGINE MOUNTING       | 2   |   |
| 4  | 26126G02F000  | BREATHER PLUG              | 1   |   |
| 5  | 26200B01F000  | CRANKCASE, RH              | 1   |   |
| 6  | 26142G02F000  | BRAKE SHOE ANCHOR PIN ASSY | 1   |   |
| 7  | 26105G02F000  | HOSE                       | 1   |   |
| 8  | 26123G02F000  | DOWEL PIN                  | 2   |   |
| 9  | B02270603564  | SCREW                      | 6   |   |
| 10 | 14222J01F000  | O RING6.8X1.9              | 1   |   |
| 11 | B01070603064  | BOLT                       | 2   |   |
| 12 | 18101G02F001  | COVER, GEAR BOX            | 1   |   |
| 13 | 214201.001000 | GASKET, GEAR BOX           | 1   |   |
| 14 | B01070602264  | BOLT                       | 3   |   |
| 15 | 26208J01F000  | DOWEL PIN                  | 2   |   |
| 16 | 301310801605  | FLANGE BOLT                | 1   |   |
| 17 | 18105H03F000  | WASHER                     | 1   |   |
| 18 | 26214G02F000  | HOLDER                     | 1   |   |
| 19 | 301310601262  | BOLT M6X12                 | 1   |   |
| 20 | 304290800062  | NUT                        | 1   |   |
| 21 | 206321.001000 | GASKET                     | 1   |   |
| 22 | 206407.004083 | OIL PLUG                   | 1   |   |
| 23 | 26102G02F000  | O-RING                     | 1   |   |
| 24 | 26112G02F000  | SHAFT COLLAR               | 1   |   |
| 25 | 231215.001000 | shaft                      | 1   |   |
| 26 | B04171012563  | NUT                        | 1   |   |



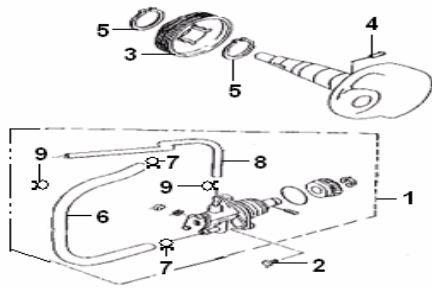
**SIDECOVER ASSY**

| NO | CODE          | DESCRIPTION        | QTY/P |
|----|---------------|--------------------|-------|
| 1  | 207208.009000 | GASKET, SIDE COVER | 1     |
| 2  | 169022080020  | SIDE COVER         | 1     |
| 3  | 26128G02F000  | SHAFT              | 1     |
| 4  | 26208J01F000  | DOWEL PIN          | 2     |
| 5  | 301310602565  | SCREW M6X25        | 8     |
| 6  | 301310603565  | SCREW              | 2     |
| 7  | 301310606565  | PAN HEAD SCREW     | 1     |
| 8  | 302460601265  | STOPPER            | 1     |
|    |               |                    |       |
|    |               |                    |       |



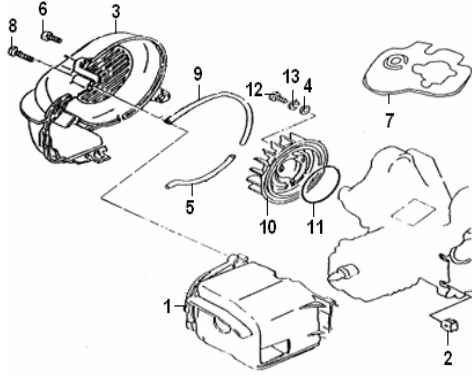
**PISTON CRANKSHAFT CONNECTING ROD ASSY**

| NO | CODE          | DESCRIPTION      | QTY |
|----|---------------|------------------|-----|
| 1  | 208100.022000 | CRANKSHAFT, ASSY | 1   |
| 2  | 15100B01F00B  | PISTON ASSY      | 1   |
| 3  | 15105B16F000  | PISTON PIN       | 1   |
| 4  | 15103B01F000  | PISTON RING ASSY | 2   |
| 5  | 15111G02F000  | CIRCLIP          | 2   |
| 6  | 15110B16F000  | NEEDLE BEARING   | 1   |
| 7  | 15101B01F000  | WOODRUFF KEY     | 1   |
| 8  | B12016620453  | BALL BEARING     | 2   |
| 9  | 15213G02F000  | OIL SEAL         | 1   |
| 10 | 26215G02F000  | OIL SEAL ASSY    | 1   |
| 11 | 15214G02F000  | COLLAR           | 1   |
| 12 | 17308G02F000  | CIRCLIP          | 1   |



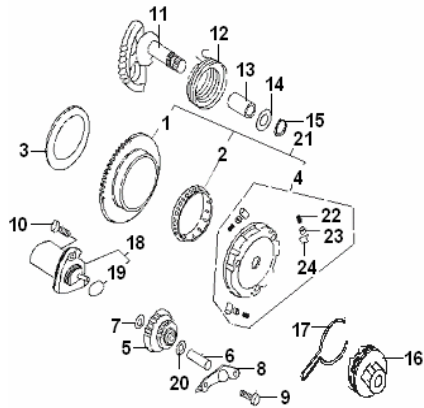
**OIL PUMP ASSY**

| NO | CODE          | DESCRIPTION     | QTY/P |
|----|---------------|-----------------|-------|
| 1  | 219101.006000 | OIL PUMP ASSY   | 1     |
| 2  | B02000501463  | SCREW           | 2     |
| 3  | 15211G02F000  | PUMP DRIVE GEAR | 1     |
| 4  | B090103014C0  | PIN             | 1     |
| 5  | 15106G02F910  | CIRCLIP         | 2     |
| 6  | 221405.103000 | HOSE,OIL INLET  | 1     |
| 7  | 19213G02F00A  | HOSE CLIP       | 2     |
| 8  | 221405.104000 | HOSE,OIL OUTLET | 1     |
| 9  | 19217G02F00A  | HOSE CLIP       | 2     |
|    |               |                 |       |
|    |               |                 |       |



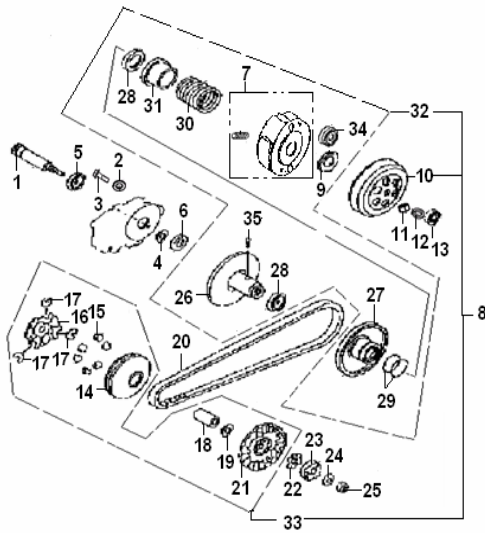
### AIR COOLING SYSTEM

| NO | CODE         | DESCRIPTION         | QTY | P |
|----|--------------|---------------------|-----|---|
| 1  | 20301B01F000 | COWLING, cylinder   | 1   |   |
| 2  | 20303G02F000 | GROMMET             | 2   |   |
| 3  | 20200B01F000 | COVER ASSY (FAN)    | 1   |   |
| 4  | B07030000600 | WASHER φ6           | 3   |   |
| 5  | 20208G02F000 | BEADING (RUBBER)    | 1   |   |
| 6  | 302270602065 | BOLT M6X20          | 2   |   |
| 7  | 20102G02F000 | DUST COVER (RUBBER) | 1   |   |
| 8  | 3050355040F5 | SCREW ST5.5X40-F    | 1   |   |
| 9  | 20206G02F000 | BEADING (RUBBER)    | 1   |   |
| 10 | 20401B01F000 | FAN ASSY            | 1   |   |
| 11 | 20402G02F000 | RUBBER RING 70X3.1  | 1   |   |
| 12 | 301310601665 | SCREW M6X16         | 3   |   |
| 13 | B07000000600 | SPRING WASHER φ6    | 3   |   |



**KICK STARTER ASSY**

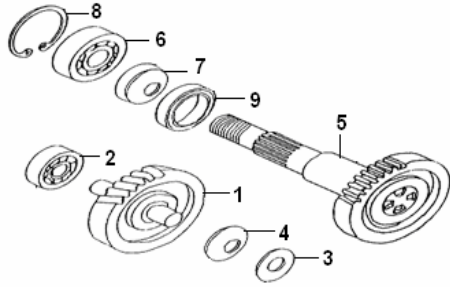
| NO | CODE          | DESCRIPTION              | QTY/P |
|----|---------------|--------------------------|-------|
| 1  | 34120G02F000  | START GEAR ASSY          | 1     |
| 2  | 34121G02F000  | NEEDLE BEARING           | 1     |
| 3  | 34123G02F000  | THRUST WASHER            | 1     |
| 4  | 34110G02F00A  | STARTER CLUTCH ASSY.COMP | 1     |
| 5  | 34126G02F000  | DRIVEN GEAR,STARTER      | 1     |
| 6  | 26128G02F000  | IDLE GEAR SHAFT          | 1     |
| 7  | 34122G02F000  | PLATE WASHER             | 1     |
| 8  | 34125G02F000  | IDLE GEAR HOLDER         | 1     |
| 9  | 301310601062  | SCREW                    | 2     |
| 10 | 302040602065  | SCREW                    | 2     |
| 11 | 216100.004000 | SHAFT, kick starter      | 1     |
| 12 | 17407G02F000  | SPRING                   | 1     |
| 13 | 216217.001000 | BUSH                     | 1     |
| 14 | 307991005552  | WASHER ,kick starter     | 1     |
| 15 | 308090150003  | CIRCLIP                  | 1     |
| 16 | 17415G02F000  | KICK PINION ASSY         | 1     |
| 17 | 17418G02F930  | CLIP                     | 1     |
| 18 | 218100.017472 | STARTING MOTOR ASSY      | 1     |
| 19 | B190102120B0  | O-RING                   | 1     |
| 20 | 34130G02F000  | PLATE WASHER             | 1     |
| 21 | 217100.100000 | START CLUTCH ASSY, COMP. | 1     |
| 22 | 34404G02F00A  | SPRING                   | 3     |
| 23 | 34405G02F00A  | CAP                      | 3     |
| 24 | 34402G02F00A  | ROLLER                   | 3     |



**CLUTCH ASSY**

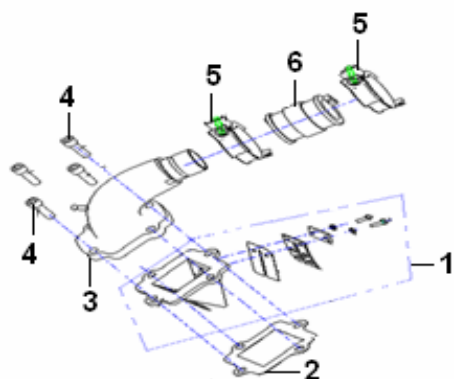
| NO | CODE          | DESCRIPTION          | QTY | P |
|----|---------------|----------------------|-----|---|
| 1  | 24201B01F000  | PRIMARY DRIVE SHAFT  | 1   |   |
| 2  | 18114G02F000  | PLATE WASHER         | 1   |   |
| 3  | B01090801263  | PAN HEAD SCREW       | 1   |   |
| 4  | B08010001700  | CIRCLIP              | 1   |   |
| 5  | B12016600300  | ROLING BEARING       | 1   |   |
| 6  | 24203G02F000  | OIL SEAL             | 1   |   |
| 7  | 24301B01F000  | CLUTCH ASSY,shoe     | 1   |   |
| 8  | 24245G02F000  | BALL BEARING 6003    | 1   |   |
| 9  | 24303G02F000  | NUT                  | 1   |   |
| 10 | 24700G02F000  | CLUTCH DRUM          | 1   |   |
| 11 | 24305G02F940  | NUT                  | 1   |   |
| 12 | 24243G02F000  | O-RING               | 1   |   |
| 13 | 24209G02F000  | BEARING 8X28X8       | 1   |   |
| 14 | 24101G02F000  | FACE, movable drive  | 1   |   |
| 15 | 213119.003000 | ROLLER               | 6   |   |
| 16 | 24103G02F000  | PLATE, movable drive | 1   |   |
| 17 | 24104G02F000  | DAMPER               | 3   |   |
| 18 | 24105G02F000  | COLLAR               | 1   |   |
| 19 | 24106B01F000  | WASHER               | 1   |   |
| 20 | 24107B01F000  | V BELT, DRIVE        | 1   |   |
| 21 | 24108G02F000  | FACE, FIXED DRIVE    | 1   |   |
| 22 | 24109G02F000  | STAR WASHER          | 1   |   |
| 23 | 213203.001161 | RATCHET (STARTING)   | 1   |   |
| 24 | 15112G02F010  | WASHER, SPRING       | 1   |   |
| 25 | B04031212553  | NUT                  | 1   |   |
| 26 | 24204G02F000  | FACE, FIXED DRIVEN   | 1   |   |
| 27 | 24205G02F000  | FACE, MOVABLE DRIVEN | 1   |   |
| 28 | 24206G02F000  | OIL SEAL             | 2   |   |
| 29 | 24207G02F000  | O-RING               | 2   |   |
| 30 | 24308B01F000  | SPRING               | 1   |   |
| 31 | 24309G02F930  | SEAT, SPRING         | 1   |   |
| 32 | 24200B01F000  | DRIVEN PULLEY COMP.  | 1   |   |
| 33 | 213100.039000 | DRIVE PULLEY COMP.   | 1   |   |
| 34 | 213100.010000 | SHIFT ASSY           | 1   |   |
| 35 | 24208G02F000  | PIN, GUIDE           | 2   |   |





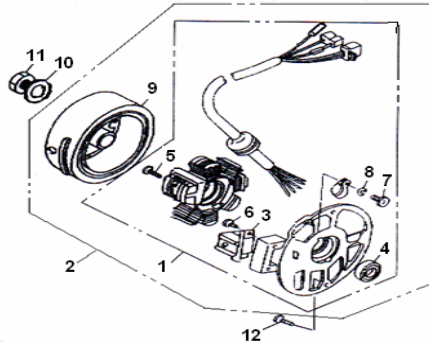
**TRANSMISSION SYSTEM ASSY**

| NO | CODE         | DESCRIPTION            | QTY/P |
|----|--------------|------------------------|-------|
| 1  | 17800B01F000 | SHAFT, IDLE            | 1     |
| 2  | B12016620100 | BEARING 6201           | 1     |
| 3  | 17509G02F000 | PLATE WASHER12         | 1     |
| 4  | 17802G02F000 | WASHER, CONICAL        | 1     |
| 5  | 17300B01F000 | DRIVEN SHAFT(GEAR BOX) | 1     |
| 6  | B12016600400 | BEARING                | 1     |
| 7  | 17317G02F000 | OIL SEAL               | 1     |
| 8  | 17308G02F000 | CIRCLIP                | 1     |
| 9  | 26136G02F000 | NEEDLE BEARING         | 1     |
|    |              |                        |       |
|    |              |                        |       |
|    |              |                        |       |



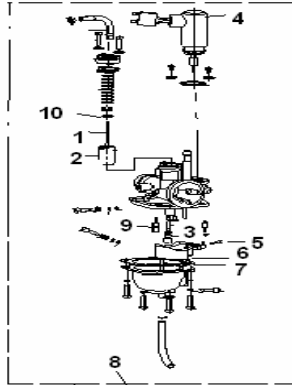
**REED VALVE ASSY**

| NO | CODE          | DESCRIPTION       | QTY/P |
|----|---------------|-------------------|-------|
| 1  | 32300A02F000  | REED VALVE ASSY   | 1     |
| 2  | 202306.002000 | VALVE SEAT GASKET | 1     |
| 3  | 32200B01F000  | PIPE,INTAKE       | 1     |
| 4  | 302040602065  | SCREWM6X20        | 4     |
| 5  | 32202G01F000  | CLAMP HOSE ASSY   | 2     |
| 6  | 32237G01F000  | RUBBER PIPE       | 1     |
|    |               |                   |       |
|    |               |                   |       |
|    |               |                   |       |
|    |               |                   |       |
|    |               |                   |       |



**MAGNETO ASSY**

| NO | CODE          | DESCRIPTION    | QTY | P |
|----|---------------|----------------|-----|---|
| 1  | 34310G02F000  | COIL ASSY      | 1   |   |
| 2  | 223100.100000 | MAGNETO ASSY   | 1   |   |
| 3  | 34330G02F000  | PULSE TRIGGER  | 1   |   |
| 4  | 34350G02F000  | OIL SEAT       | 1   |   |
| 5  | B02000502522  | SCREW          | 2   |   |
| 6  | B02000501262  | SCREW          | 2   |   |
| 7  | B02000400622  | SCREW          | 1   |   |
| 8  | B07000000400  | SPRING WASHER  | 1   |   |
| 9  | 223101.019000 | FLY WHEEL ASSY | 1   |   |
| 10 | B07030001200  | WASHER         | 1   |   |
| 11 | 15228H03F000  | NUT            | 1   |   |
| 12 | B01070601664  | NUT            | 2   |   |
|    |               |                |     |   |



**CARBURETORASSY**

| NO | CODE          | DESCRIPTION     | QTY/P |
|----|---------------|-----------------|-------|
| 1  | NSS           | NEEDLE, jet     | 1     |
| 2  | NSS           | VALVE,PISTON    | 1     |
| 3  | NSS           | JET, main       | 1     |
| 4  | NSS           | ENRICH VALVE    | 1     |
| 5  | NSS           | PIN, float      | 1     |
| 6  | NSS           | FLOAT           | 1     |
| 7  | NSS           | GASKET          | 1     |
| 8  | 224100.039000 | CARBURETOR ASSY | 1     |
| 9  | NSS           | JET, idle       | 1     |
| 10 | NSS           | CLIPMM,V shape  | 1     |
|    |               |                 |       |
|    |               |                 |       |
|    |               |                 |       |