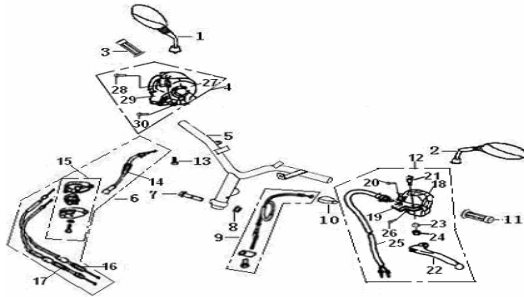
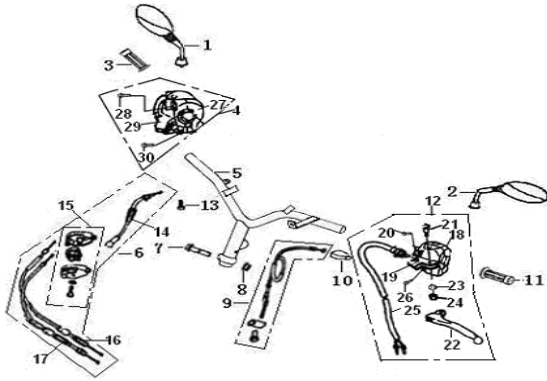


# BODY PARTS LIST OF QJ50QT-2 *EXPRESSO 50*



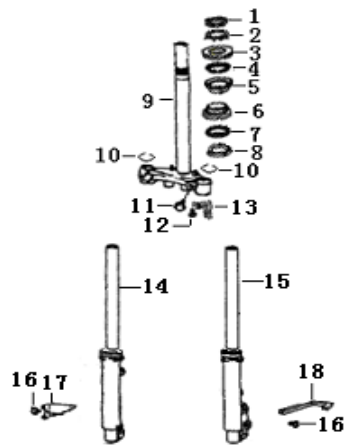
## CONTROL ASSY.

| NO. | CODE         | DESCRIPTION                    | QTY. |
|-----|--------------|--------------------------------|------|
| 1   | 40480B920000 | REAR VIEW MIRROR ASSY.RH.      | 1    |
| 2   | 40450B920000 | REAR VIEW MIRROR ASSY.LH.      | 1    |
| 3   | 40212T090000 | GRIP ASSY., THROTTLE           | 1    |
| 4   | 40600B030004 | RIGHT HANDLE SWITCH, RH. ASSY. | 1    |
| 5   | 40100B030G81 | JOINTING ASSY., HANDLE BAR     | 1    |
| 6   | 40300B030001 | CABLE ASSY., THROTTLE (NEW)    | 1    |
| 7   | B01091004565 | BOLT M10X1.25X45               | 1    |
| 8   | B04171012565 | NUT M10X1.25                   | 1    |
| 9   | 40270B030001 | CABLE COMP., REAR. BRAKE       | 1    |
| 10  | 40008B910000 | PROTECTOR,, REAR. BRAKE CABLE  | 1    |
| 11  | 40001T090000 | GRIP, LH.                      | 1    |
| 12  | 40500B030000 | LEFT HANDLE SWITCH , 1 ASSY.   | 1    |
| 13  | B02000501025 | SCREW M5X10                    | 1    |
| 14  | 40306B030000 | CABLE THROTTLE                 | 1    |
| 15  | 40340B030001 | JUNCTION BOX                   | 1    |
| 16  | 40308B030000 | OIL PUMP LINE                  | 1    |
| 17  | 40307B030001 | CARBURETOR LINE                | 1    |
| 18  | 40510B910000 | LEFT HANDLE SWITCH             | 1    |
| 19  | 40520B910000 | L. SWITCH FIXING SEAT          | 1    |
| 20  | B02000502525 | PAN HEAD SCREW 5X25            | 1    |



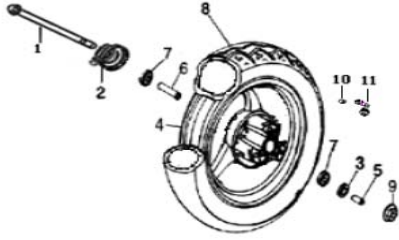
**CONTROL ASSY.**

| NO. | CODE         | DESCRIPTION              | QTY. |
|-----|--------------|--------------------------|------|
| 21  | 40004B310000 | SCREW M5                 | 1    |
| 22  | 40002B910000 | LEFT LEVER               | 1    |
| 23  | B07000000505 | WASHER SPRING 5          | 1    |
| 24  | B04000500065 | NUT M5                   | 1    |
| 25  | 91700B310000 | STOP SWITCH ASSY.        | 1    |
| 26  | B02000502025 | PAN HEAD SCREW M5X20     | 1    |
| 27  | 40610B910000 | RIGHT HANDLE SWITCH, RH. | 1    |
| 28  | B02000502525 | PAN HEAD SCREW M5X25     | 1    |
| 29  | 40620B910000 | SWITCH FIXING R.         | 1    |
| 30  | B02000502025 | PAN HEAD SCREW M5X20     | 1    |



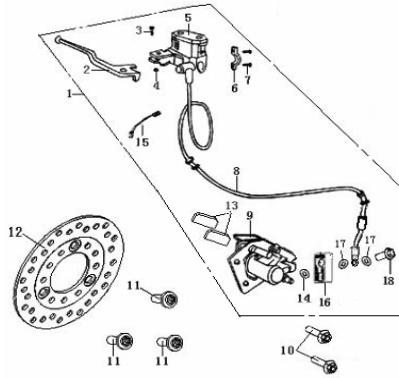
**FRONT FORK ASSY.**

| NO. | CODE         | DESCRIPTION                     | QTY. |
|-----|--------------|---------------------------------|------|
| 1   | 43008T020000 | PRESS NUT                       | 1    |
| 2   | 43007B030000 | WASHER                          | 1    |
| 3   | 43001B030000 | UPPER STEEL BOWL, UPPER BEARING | 1    |
| 4   | B06010110000 | STEEL BALL 3.969MM              | 25   |
| 5   | 43002B030000 | Lower steel bowl, upper bearing | 1    |
| 6   | 43003B030000 | Upper steel bowl, lower bearing | 1    |
| 7   | B06010140000 | STEEL BALL 4.763MM              | 21   |
| 8   | 43004B030000 | Lower steel bowl, lower bearing | 1    |
| 9   | 43100B030001 | UNDER BRACKET COMP              | 1    |
| 10  | 43215B310000 | CLIP                            | 2    |
| 11  | B01591003065 | FLANGE BOLT 10X1.25X30MM        | 2    |
| 12  | B01090601265 | FLANGE BOLT 6X12MM              | 1    |
| 13  | 43035B920000 | COVER, ANTI-DUST                | 1    |
| 14  | 43300B030000 | R.H. FR. FORK ASSY.             | 1    |
| 15  | 43200B030000 | L.H. FR. FORK ASSY.             | 1    |
| 16  | B01070601665 | BLOT6X16MM                      | 2    |
| 17  | 43150B310000 | CABLE HOLDER                    | 1    |
| 18  | 43021B910003 | BRAKE HOSE HOLDER, 1            | 1    |



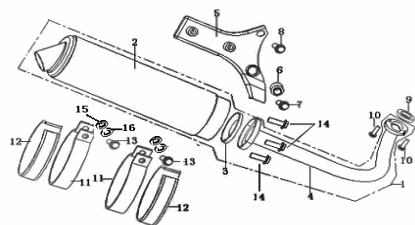
**FRONT WHEEL**

| NO. | CODE         | DESCRIPTION                   | QTY. |
|-----|--------------|-------------------------------|------|
| 1   | 44005B030001 | AXLE, FRONT WHEEL             | 1    |
| 2   | 44200B03B101 | SEAT ASSY., GEAR WHEEL, BLACK | 1    |
| 2   | 44200B03RS01 | SEAT ASSY., GEAR WHEEL, RED   | 1    |
| 2   | 44200B03LP01 | SEAT ASSY., GEAR WHEEL, BLUE  | 1    |
| 3   | 44300B030000 | OIL SEAL                      | 1    |
| 4   | 44100B03B102 | WHEEL HUB, FRONT, BLACK       | 1    |
| 4   | 44100B03RS02 | WHEEL HUB, FRONT, RED         | 1    |
| 4   | 44100B03LP02 | WHEEL HUB, FRONT, BLUE        | 1    |
| 5   | 44004B030000 | BUSHING RING                  | 1    |
| 6   | 44006B03T100 | SPACER, BEARING               | 1    |
| 7   | B12040100900 | BEARING                       | 2    |
| 8   | B140505C1221 | TIRE(DOT:NUMBER)              | 1    |
| 9   | B04171012564 | NUT 10X1.25MM                 | 1    |
| 10  | B1404Z201110 | CAP, VALVE                    | 1    |
| 11  | B1403Z201110 | RIM, VALVE                    | 1    |



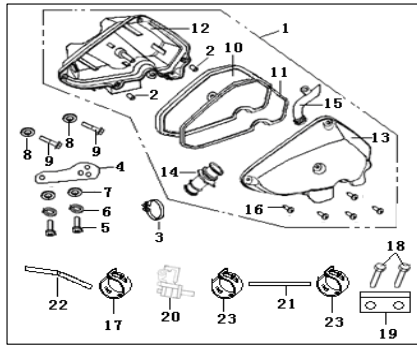
**DISC BRAKE ASSY. I**

| NO. | CODE         | DESCRIPTION             | QTY. |
|-----|--------------|-------------------------|------|
| 1   | 45000B030001 | DISK BRAKE ASSY.        | 1    |
| 2   | 40014T030000 | DISC BRAKE LEVER        | 1    |
| 3   | 40015T400000 | LEVER MOUNTING SCREW    | 1    |
| 4   | B04160600065 | NUT 6MM                 | 1    |
| 5   | 45400B92B300 | CYLINDER COMP. BLACK    | 1    |
| 6   | 45023T010000 | MASTER CYLINDER BRACKET | 1    |
| 7   | B01070602365 | BOLT 6X23MM             | 2    |
| 8   | 45200B030002 | BRAKE HOSE ASSY.        | 1    |
| 9   | 45500B03B301 | CALIPER ASSY.BLACK      | 1    |
| 10  | 45039T100000 | BOLT                    | 2    |
| 11  | 45036B030000 | BOLT                    | 3    |
| 12  | 45033B92C200 | BRAKE DISC.SILVER       | 1    |
| 13  | 45110T100000 | BRAKE PAD KIT ASSY.     | 1付   |
| 14  | 45654B030000 | WASHER                  | 1    |
| 15  | 91700T030000 | STOP SWITCH ASSY.       | 1    |
| 16  | 45700B03B300 | A.B.S,BLACK             | 1    |
| 17  | 45653B030000 | WASHER                  | 2    |
| 18  | 45651B920000 | FLANGE BOLT             | 1    |



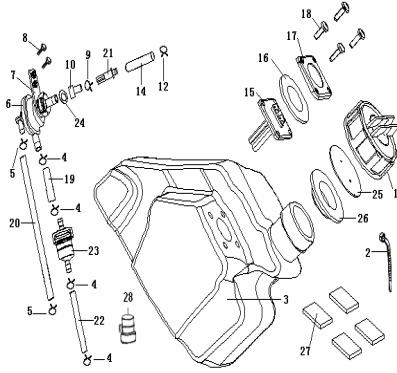
**MUFFLER ASSY.**

| NO. | CODE         | DESCRIPTION          | QTY. |
|-----|--------------|----------------------|------|
| 1   | 47100B030007 | MUFFLER ASSY.        | 1    |
| 2   | 47200B030007 | MUFFLERCANISTERASSY. | 1    |
| 3   | 47121B030000 | SEAL WASHER          | 1    |
| 4   | 47105B030005 | EXHAUST PIPE ASSY    | 1    |
| 5   | 47123B030000 | MUFFLER FIXING PLATE | 1    |
| 6   | 47039B030000 | MUFFLER BUSH         | 1    |
| 7   | B01070803065 | BOLT 8×30MM          | 1    |
| 8   | B01070802065 | BOLT 8×20MM          | 1    |
| 9   | 47800B030000 | GASKET, EXHAUST PIPE | 1    |
| 10  | B01070601665 | BOLT 6×16MM          | 2    |
| 11  | 47041B030000 | MUFFLER HOOP         | 2    |
| 12  | 47042B030000 | ADIABATIC RUBBER     | 2    |
| 13  | B01090805064 | BOLT 8×50MM          | 2    |
| 14  | B01070802065 | BOLT 8×20MM          | 3    |
| 15  | B07030000804 | WASHER 8             | 2    |
| 16  | B07000000804 | WASHER 8             | 2    |



**AIR CLEANER ASSY.**

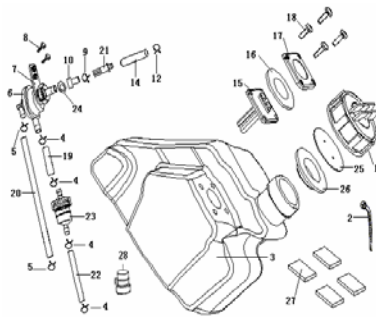
| NO. | CODE         | DESCRIPTION           | QTY. |
|-----|--------------|-----------------------|------|
| 1   | 49500B030001 | AIR CLEANER           | 1    |
| 2   | 49004B030000 | BUSH                  | 2    |
| 3   | 49350B030000 | CLIP                  | 1    |
| 4   | 49361B030001 | PLATE                 | 1    |
| 5   | B02000501664 | SCREW 5X16MM          | 2    |
| 6   | B07000000504 | WASHER SPRING 5MM     | 2    |
| 7   | B07030000504 | WASHER 5MM            | 2    |
| 8   | B07020000605 | WASHER 6MM            | 2    |
| 9   | B01190603065 | BOLT 6X30MM           | 2    |
| 10  | 49202B030000 | FILTER                | 1    |
| 11  | 49103B030000 | SEAL LOOP             | 1    |
| 12  | 49101B030000 | CASE, AIR CLEANER     | 1    |
| 13  | 49401B030000 | CAP, AIR CLEANER      | 1    |
| 14  | 49002B030000 | PIPE,AIR IN           | 1    |
| 15  | 49005B030000 | PIPE,AIR OUT          | 1    |
| 16  | B05074201905 | SCREW 4.2X19MM        | 5    |
| 17  | 49805B920000 | SPRING II ,LOCK φ17.5 | 6    |
| 18  | B0109061265  | SCREW 6X12MM          | 2    |
| 19  | 57051B140000 | PLATE ,ONE WAY VALVE  | 1    |
| 20  | 49840W110000 | ONE WAY VALVE II      | 1    |
| 21  | 49851B030000 | HOSE 570MM            | 1    |
| 22  | 49852B140000 | HOSE 240MM            | 1    |
| 23  | 49853B140000 | HOSE II 185MM         | 1    |
| 24  | 49870B140000 | AIR CLEANER,SMALL     | 1    |
| 25  | 96001B030000 | BAND                  | 2    |



**FUEL TANK ASSY.**

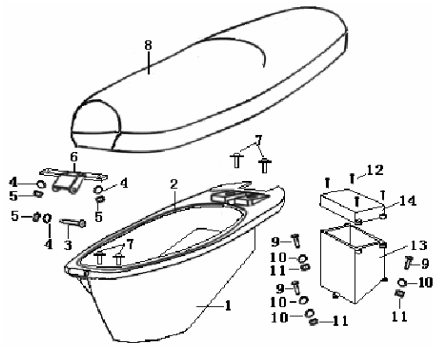
| NO. | CODE         | DESCRIPTION                  | QTY. |
|-----|--------------|------------------------------|------|
| 1   | 50201B020000 | LIP FUEL TANK                | 1    |
| 2   | 50203B020000 | LIP OIL TANK PLASTIC CUSHION | 1    |
| 3   | 50202B020000 | LIP OIL TANK SEAL            | 1    |
| 4   | 50306B030000 | CLIP 8MM                     | 4    |
| 5   | 50307B030000 | CLIP 7MM                     | 2    |
| 6   | 50300B020000 | SWITCH ASSY                  | 1    |
| 7   | 50313B030000 | PLATE.FUEL COCK              | 1    |
| 8   | B02000501064 | SCREW 5×10MM                 | 2    |
| 9   | 50308B030000 | CLIP 16MM                    | 1    |
| 10  | 50311B030000 | COUPLER.FUEL COCK            | 1    |
| 12  | 50309B030000 | CLIP 11MM                    | 1    |
| 14  | 50301B030000 | FILTER CASE                  | 1    |
| 15  | 50800B02T100 | SENSOR ASSY.                 | 1    |
| 16  | 50004B02T100 | GLUE MAT                     | 1    |
| 17  | 50003B02G800 | SENSOR BOARD                 | 1    |
| 18  | B13140601405 | BOLT ASSY. 6X14MM            | 4    |
| 19  | 50302B030000 | HOSE II 4.5X8.5X85MM         | 1    |
| 20  | 50303B030000 | HOSE III 4X8X175MM           | 1    |





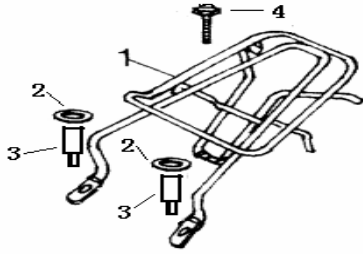
**FUEL TANK ASSY.**

| NO. | CODE         | DESCRIPTION         | QTY. |
|-----|--------------|---------------------|------|
| 21  | 50352B030000 | FILTER              | 1    |
| 22  | 50304B030000 | HOSE V 4.5X8.5X85MM | 1    |
| 23  | 50340B02T100 | FILTER, FUEL        | 1    |
| 24  | 50312B020000 | RUBBER SEAL         | 1    |
| 25  | 50910B020000 | TIE ASSY. FUEL TANK | 1    |
| 26  | 50100B02T100 | BODY, FUEL TANK     | 1    |
| 27  | 50920B020000 | CUSHION             | 4    |
| 28  | 50391T020000 | GASKET              | 1    |
|     |              |                     |      |
|     |              |                     |      |
|     |              |                     |      |
|     |              |                     |      |



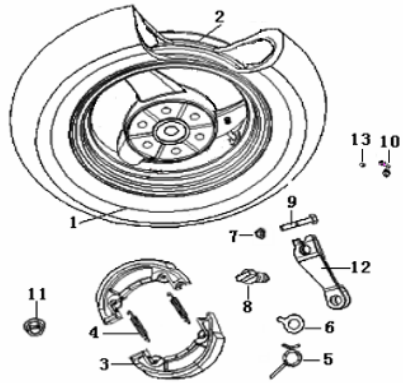
**SEAT ASSY.**

| NO. | CODE         | DESCRIPTION          | QTY. |
|-----|--------------|----------------------|------|
| 1   | 51004B030000 | HELMET BOX           | 1    |
| 2   | 51012B030000 | AIRPROOF.BAR         | 1    |
| 3   | 51001B030000 | BOLT                 | 1    |
| 4   | B07000000603 | WASHER SPRING 6MM    | 3    |
| 5   | B04000600053 | NUT 6MM              | 3    |
| 6   | 51005B030000 | MOUNTING PANEL, SEAT | 1    |
| 7   | B13060601664 | SCREW ASSY. 6X16MM   | 4    |
| 8   | 51100B030003 | SEAT COMP.           | 1    |
| 9   | B01010501664 | BOLT 5X16MM          | 3    |
| 10  | B07020000504 | WASHER 5MM           | 4    |
| 11  | B04000500054 | NUT 5MM              | 3    |
| 12  | B05072901605 | SCREW 2.9X16MM       | 4    |
| 13  | 65816B030000 | CASE.BATTERY         | 1    |
| 14  | 65813B030001 | CAP.BATTERY          | 1    |



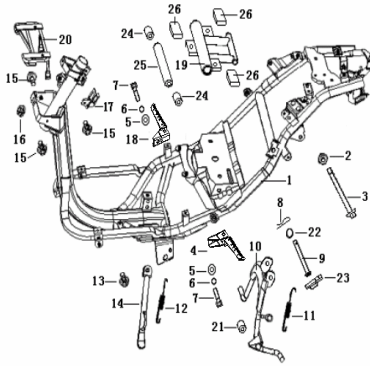
**CARRIER ASSY.**

| NO. | CODE         | DESCRIPTION      | QTY. |
|-----|--------------|------------------|------|
| 1   | 52011B030000 | REAR CARRIER     | 1    |
| 2   | 51014B030000 | DECORATIVE,COVER | 2    |
| 3   | 51016B030000 | SPECIAL SCREW    | 2    |
| 4   | B01070601665 | BOLT M6X16       | 1    |
|     |              |                  |      |
|     |              |                  |      |



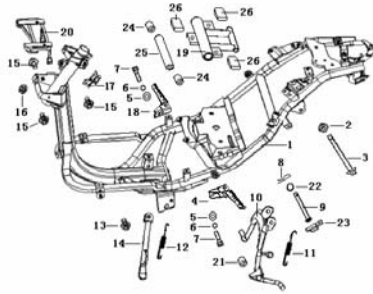
**REAR WHEEL ASSY.**

| NO. | CODE         | DESCRIPTION                  | QTY. |
|-----|--------------|------------------------------|------|
| 1   | B140505C1221 | TIRE(DOT:NUMBER)             | 1    |
| 2   | 54101B03B101 | RIM ASSY., REAR WHEEL,YELLOW | 1    |
| 2   | 54101B03RS01 | RIM ASSY., REAR WHEEL RED    | 1    |
| 2   | 54101B03LP01 | RIM ASSY., REAR WHEEL BLUE   | 1    |
| 3   | 54200B000000 | SHOE ASSY., REAR BRAKE       | 2    |
| 4   | 54001B000000 | SPRING, BRAKE SHOE           | 2    |
| 5   | 54008B020000 | RETURN SPRING                | 1    |
| 6   | 54002B000000 | REAR INDICATOR               | 1    |
| 7   | B04170600064 | NUT 6MM                      | 1    |
| 8   | 54003B020000 | CAMSHAFT, REAR BRAKE         | 1    |
| 9   | B01010603064 | BOLT 6X30MM                  | 1    |
| 10  | B1403Z201110 | RIM, VALVE                   | 1    |
| 11  | B04171415064 | NUT 14X1.5MM                 | 1    |
| 12  | 54007B020000 | ROCKER,REAR BREAK            | 1    |
| 13  | B1404Z201110 | CAP, VALVE                   | 1    |



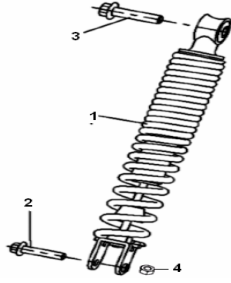
**FRAME ASSY.**

| NO. | CODE         | DESCRIPTION                  | QTY. |
|-----|--------------|------------------------------|------|
| 1   | 57100B03T103 | JOINTING ASSY., FRAME        | 1    |
| 2   | B04171012564 | NUT 10X1.25MM                | 1    |
| 3   | 58301B030000 | AXLE, SUPPORT                | 1    |
| 4   | 58280B030001 | FOOTCAST, BACK,LEFT          | 1    |
| 5   | B07030001004 | WASHER 10MM                  | 2    |
| 6   | B07000001004 | WASHER SPRING 10MM           | 2    |
| 7   | B02051002264 | BOLT 10X22MM                 | 2    |
| 8   | B09003202823 | COTTER PIN                   | 1    |
| 9   | 58501B030000 | SHAFT, MAIN STAND            | 1    |
| 10  | 58500B030001 | MAIN STAND ASSY.             | 1    |
| 11  | 58502B030000 | SPRING, MAIN STAND           | 1    |
| 12  | 57003B03T100 | SPRING, SIDE STAND           | 1    |
| 13  | 57005T020000 | FIXINGS BOLT, SIDE STAND     | 1    |
| 14  | 58700B03T101 | JOINTING ASSY., SINGLE STAND | 1    |
| 15  | B01090601664 | BOLT 6X16MM                  | 3    |
| 16  | B04070600064 | NUT 6MM                      | 1    |
| 17  | 57007B030000 | POTHOOK, HELMET              | 1    |
| 18  | 58260B030001 | FOOTCAST, BACK,RIGHT         | 1    |
| 19  | 58320B410000 | SUSPEND FRAME ASSY., ENGINE  | 1    |
| 20  | 58200B03T101 | BRACKET ASSY., FRAME FRONT   | 1    |
| 21  | 58504B030000 | RUBBER, MAIN STAND           | 1    |



**FRAME ASSY.**

| NO. | CODE         | DESCRIPTION            | QTY. |
|-----|--------------|------------------------|------|
| 22  | 58505B030000 | PROTECTOR, MAIN STAND  | 1    |
| 23  | 58506B030000 | CLIP, BRAKE CABLE      | 1    |
| 24  | 58340B030000 | BUFFER, ENGINE BRACKET | 2    |
| 25  | 58343B030000 | CENTER SPACER          | 1    |
| 26  | 58342B030000 | DAMPER                 | 3    |
|     |              |                        |      |
|     |              |                        |      |

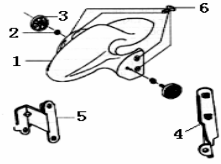


**REAR SHOCK**

| NO. | CODE         | DESCRIPTION         | QTY. |
|-----|--------------|---------------------|------|
| 1   | 63100B03RS01 | ABSORBER ASSY. RED  | 1    |
| 1   | 63100B03LP01 | ABSORBER ASSY.BLUE  | 1    |
| 1   | 63100B03BA01 | ABSORBER ASSY.BLACK | 1    |
| 2   | B01070804064 | BOLT 8X40MM         | 1    |
| 3   | B01071004064 | BOLT 10X1.25X 40MM  | 1    |
| 4   | B04070008064 | NUT M8MM            | 1    |
|     |              |                     |      |
|     |              |                     |      |
|     |              |                     |      |

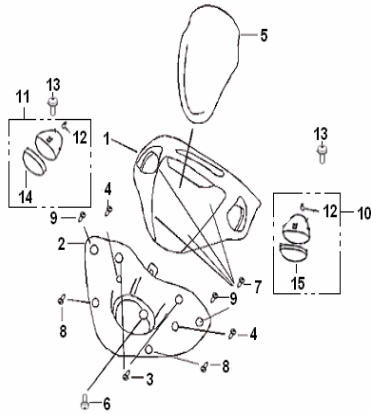






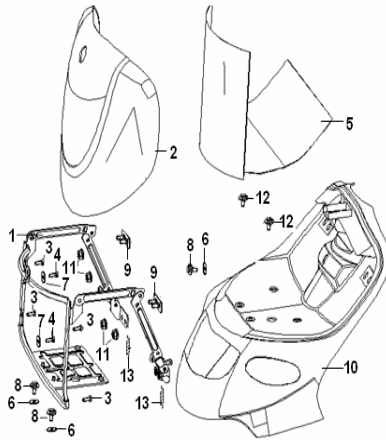
**FRONT FENDER**

| NO. | CODE         | DESCRIPTION                | QTY. |
|-----|--------------|----------------------------|------|
| 1   | 65101B92RS00 | FENDER ,FRONT, RED         | 1    |
| 1   | 65101B92LP00 | FENDER ,FRONT, BLUE        | 1    |
| 1   | 65101B92YE00 | FENDER ,FRONT, YELLOW      | 1    |
| 2   | B04070600064 | NUT 6MM                    | 2    |
| 3   | 86300B030001 | FRONT REFLECTOR,OJ         | 2    |
| 4   | 65120B030000 | FENDER ,FRONT, R.H.bracket | 1    |
| 5   | 65110B030000 | FENDER ,FRONT, L.H.bracket | 1    |
| 6   | 65114B920000 | FENDER SCREW,FRONT         | 4    |
|     |              |                            |      |
|     |              |                            |      |
|     |              |                            |      |
|     |              |                            |      |



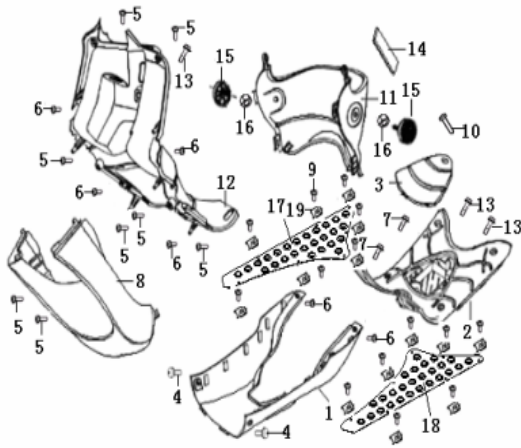
**HANDLE COVER**

| NO. | CODE          | DESCRIPTION                               | QTY. |
|-----|---------------|---|------|
| 1   | 65201B920000R | HANDLE COVER,UP RED                       | 1    |
| 1   | 65201B920000B | HANDLE COVER ,UP BLUE                     | 1    |
| 1   | 65201B920000Y | HANDLE COVER, UP, YELLOW                  | 1    |
| 2   | 65203B030000  | HANDLE COVER, DOWN                        | 1    |
| 3   | B05075001605  | TAPPING SCREW, ST5X16                     | 2    |
| 4   | B05074001605  | TAPPING SCREW, ST4X16                     | 2    |
| 5   | 65203B920000  | METER VISION ASSY.                        | 1    |
| 6   | B13010501405  | SCREW,5X14                                | 1    |
| 7   | B05073001005  | TAPPING SCREW,ST3X10                      | 4    |
| 8   | B05075001205  | TAPPING SCREW,ST5X12                      | 2    |
| 9   | B05074001205  | TAPPING SCREW,ST4X12                      | 2    |
| 10  | 81100B030002  | FLASHER LIGHT ASSY., 1<br>MARK:DOT/VEINTO | 1    |
| 11  | 81300B030002  | FLASHER LIGHT ASSY., 2<br>MARK:DOT/VEINTO | 1    |
| 12  | B24012120000  | BULB, 12V/10W                             | 2    |
| 13  | 08005X010000  | SCREW W/WASHER 5X11.5                     | 2    |
| 14  | 81302B030001  | LIGHT COVER, RH.                          | 1    |
| 15  | 81102B030001  | LIGHT COVER, LH.                          | 1    |



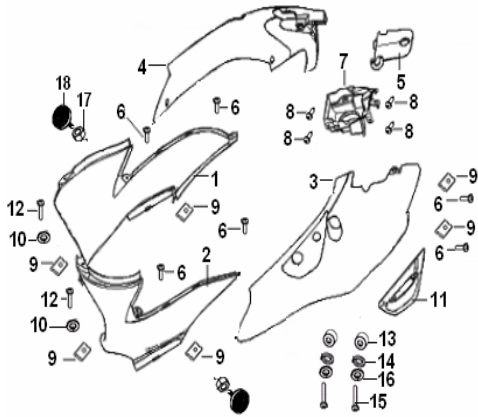
**FRONT COVER**

| NO. | CODE         | DESCRIPTION              | QTY. |
|-----|--------------|--------------------------|------|
| 1   | 65340B030000 | FRAME, FRONT             | 1    |
| 2   | 65301B03Y500 | FACEPLATE, YELLOW        | 1    |
| 2   | 65301B03RS00 | FACEPLATE, RED           | 1    |
| 2   | 65301B03LP00 | FACEPLATE, BLUE          | 1    |
| 2   | 65301B03CA00 | FACEPLATE, SILVER        | 1    |
| 3   | B05074201604 | TAPPING SCREW ST4.2X16   | 4    |
| 4   | B05074201604 | TAPPING SCREW ST4.2X16   | 2    |
| 5   | 65390B030000 | FRONT RACK               | 1    |
| 6   | B07020000605 | WASHER 6                 | 3    |
| 7   | B07020000504 | WASHER 5                 | 2    |
| 8   | B01010601664 | BOLT M6X16               | 3    |
| 9   | 65330B030000 | FIXING SEAT              | 2    |
| 10  | 65302B030000 | MOTHERBOARD, FRONT COVER | 1    |
| 11  | B04070600054 | NUT M6                   | 4    |
| 12  | B01070602024 | BOLT M6X20               | 2    |
|     |              |                          |      |
|     |              |                          |      |
|     |              |                          |      |



**LEG SHIELD ASSY.**

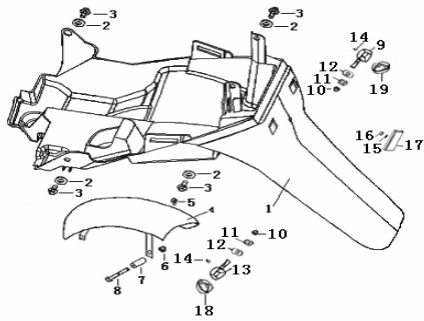
| NO. | CODE         | DESCRIPTION             | QTY. |
|-----|--------------|-------------------------|------|
| 1   | 65407B03C200 | COVER LOWER II(SILVER)  | 1    |
| 1   | 65407B03BA00 | COVER LOWER II(BLACK)   | 1    |
| 2   | 65401B030000 | FOOTBOARD               | 1    |
| 3   | 65411B030000 | CAP FOOTBOARD           | 1    |
| 4   | B13060601605 | SCREW ASSY. 6X16MM      | 2    |
| 5   | B05074201605 | SCREW 4.2X16MM          | 8    |
| 6   | B05074201305 | SCREW 4.2X13MM          | 6    |
| 7   | B01070601265 | BOLT 6X12MM             | 2    |
| 8   | 65406B030000 | COVER LOWER I           | 1    |
| 9   | B05074201304 | SCREW 4.2X13MM          | 14   |
| 10  | B02000502025 | SCREW 5X20MM            | 1    |
| 11  | 65404B030000 | COVER,FRONT LUGGAGE BOX | 1    |
| 12  | 65402B030000 | COVER, REAR             | 1    |
| 13  | B01070601665 | BOLT 6X16MM             | 3    |
| 14  | 65403B030000 | COVER (VIN NO. WINDOW)  | 1    |
| 15  | 86300B030001 | FRONT REFLECTOR(ORANGE) | 2    |
| 16  | B04070600054 | NUT, 6MM                | 2    |
| 17  | 65412B140000 | FLOOR COVER, R          | 1    |
| 18  | 65411B140000 | FLOOR COVER, L          | 1    |
| 19  | 57031B140000 | WASHER                  | 14   |



**FRAME COVER**

| NO. | CODE         | DESCRIPTION             | QTY. |
|-----|--------------|-------------------------|------|
| 1   | 65603B030001 | COVER FRONT RH          | 1    |
| 2   | 65601B030001 | COVER FRONT LH          | 1    |
| 3   | 65604B03RS00 | COVER REAR LH,(RED)     | 1    |
| 3   | 65604B03LP00 | COVER REAR LH,(BLUE)    | 1    |
| 3   | 65604B03YE00 | COVER REAR LH,(YELLOW)  | 1    |
| 4   | 65602B03RS00 | COVER REAR RH, (RED)    | 1    |
| 4   | 65602B03LP00 | COVER REAR RH,(BLUE)    | 1    |
| 4   | 65602B03YF00 | COVER REAR RH, (YELLOW) | 1    |
| 5   | 65606B03RS00 | COUPLING BOARD,(RED)    | 1    |
| 5   | 65606B03LP00 | COUPLING BOARD,(BLUE)   | 1    |
| 5   | 65606B03YF00 | COUPLING BOARD,(YELLOW) | 1    |
| 6   | B05070421605 | TAPPING SCREW ST4.2×16  | 6    |
| 7   | 65615B030000 | BOARD, FUEL TANK FIXING | 1    |
| 8   | B05070401005 | TAPPING SCREW, ST4×10   | 4    |
| 9   | 65801B030000 | CARD                    | 6    |
| 10  | B07030000504 | WASHER 5MM              | 2    |
| 11  | 65612B030000 | HANDLE, LH              | 1    |



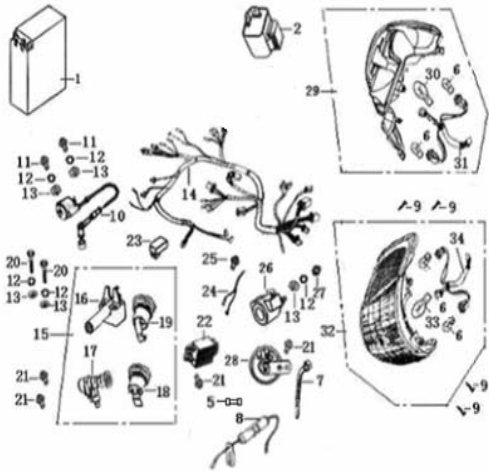


**REAR FENDER**

| NO. | CODE         | DESCRIPTION                      | QTY. |
|-----|--------------|----------------------------------|------|
| 1   | 65701B030000 | FENDER, REAR                     | 1    |
| 2   | B07020000605 | WASHER 6                         | 4    |
| 3   | B01010601625 | BOLT M6×16                       | 4    |
| 4   | 65702B030000 | TAIL, REAR FENDER                | 1    |
| 5   | B01070601265 | BOLT M6X12                       | 1    |
| 6   | 65810B030000 | FIT NUT ASSY,FENDER              | 1    |
| 7   | 65763B030000 | FIT BUSH,FENDER                  | 1    |
| 8   | B01090604265 | BOLT M6X42                       | 1    |
| 9   | 81700BMOT002 | TURN LIGHT,F.R.                  | 1    |
| 10  | B04021012554 | NUT M10X1.25                     | 2    |
| 11  | 81703B030000 | RUBBERCUSHION,REARTURNLIGHT      | 2    |
| 12  | 81704B030000 | CUSHION,REAR TURN LIGHT          | 2    |
| 13  | 81500BMOT002 | TURN LIGHT,R.LH.                 | 1    |
| 14  | B24012120000 | BULB, 12V/10W                    | 2    |
| 15  | B07020000505 | WASHER 5                         | 1    |
| 16  | B04000500065 | NUT M5                           | 1    |
| 17  | 86500B030001 | REAR REFLECTOR E-MARK: DOT       | 1    |
| 18  | 81502BMOT001 | LENS, REAR TURN SIGNAL LIGHT LH. | 1    |
| 19  | 81702BMOT001 | LENS, REAR TURN SIGNAL LIGHT RH. | 1    |

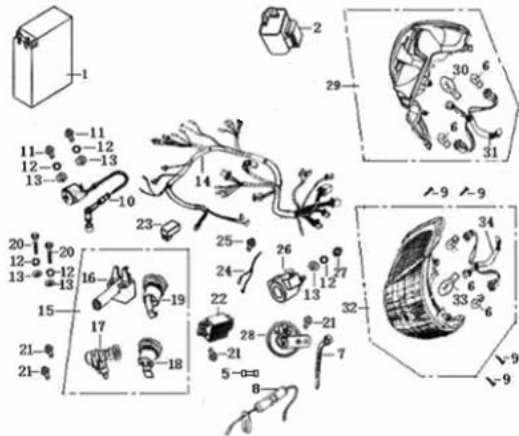






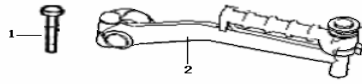
**ELECTRICAL EQUIPMENT ASSY.**

| NO. | CODE         | DESCRIPTION             | QTY. |
|-----|--------------|-------------------------|------|
| 1   | 96100B910000 | BATTERY 12V,4AH         | 1    |
| 2   | 96400K010001 | FLASHER MANUAL TYPE     | 1    |
| 5   | 96800B030000 | FUSE                    | 1    |
| 6   | B24020321102 | INDICATOR BULB 12V/3W   | 4    |
| 8   | 96800B030000 | FUSE COMP               | 1    |
| 9   | B05074801305 | TAPPING SCREW ST4.8×13  | 4    |
| 10  | 96200B030000 | COIL ASSY.,IGNITION     | 1    |
| 11  | B02000602064 | SCREW M6×20             | 2    |
| 12  | B07000000604 | WASHER SPRING 6         | 5    |
| 13  | B07030000604 | WASHER 6                | 5    |
| 14  | 92000B030001 | HARNESS, WIRING         | 1    |
| 15  | 88000B03000A | LOCK COMP.              | 1    |
| 16  | 88800B030000 | SEAT LOCK               | 1    |
| 17  | 88100B03000A | LOCK ASSY. STEERING     | 1    |
| 18  | 88400B030000 | LOCK FUEL TANK          | 1    |
| 19  | 88200B030000 | LOCK, FRONT LUGGAGE BOX | 1    |
| 20  | B02000604024 | SCREW M6×40             | 2    |
| 21  | B01090601665 | BOLT 6×16MM             | 4    |
| 22  | 98801T020000 | RECTIFIER               | 1    |
| 23  | 97701B910001 | C.D.I. UNIT COMP.       | 1    |
|     |              |                         |      |
|     |              |                         |      |
|     |              |                         |      |



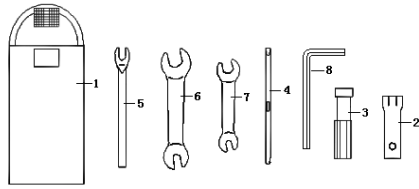
**ELECTRICAL**

| NO. | CODE         | DESCRIPTION                | QTY. |
|-----|--------------|----------------------------|------|
| 24  | 96900B00T000 | WIRE, EARTH                | 1    |
| 25  | B01090601265 | BOLT M6X12                 | 1    |
| 26  | 94100B030000 | RELAY ASSY.,STARTER        | 1    |
| 27  | B04000600054 | NUT M6                     | 1    |
| 28  | 95100B130000 | HORN ASSY.                 | 1    |
| 29  | 82008B030001 | TAIL LIGHT ASSY, RR        | 1    |
| 30  | B24013820000 | TAIL LIGHT BULB 12V/21W/5W | 1    |
| 31  | 82900B030001 | WIRING ASSY. TAIL LIGHT    | 1    |
| 32  | 80004B030001 | HEADLIGHT COMP             | 1    |
| 33  | B24010520000 | HEADLIGHT BULB 12V35/35W   | 1    |
| 34  | 80020B030000 | WIRING ASSY.HEAD LIGHT     | 1    |
|     |              |                            |      |
|     |              |                            |      |



**ENGINE**

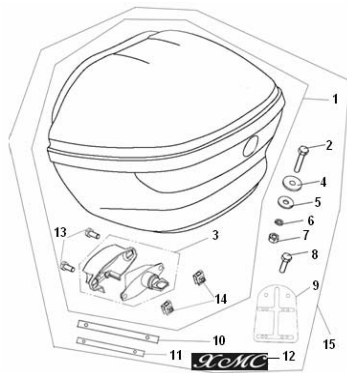
| NO. | CODE         | DESCRIPTION        | QTY. |
|-----|--------------|--------------------|------|
| 1   | B01020602565 | BOLT               | 1    |
| 2   | 08350B130000 | KICK STARTER ASSY. | 1    |
|     |              |                    |      |
|     |              |                    |      |



**TOOL KIT ASSY.**

| NO. | CODE         | DESCRIPTION          | QTY. |
|-----|--------------|----------------------|------|
| 1   | 02110B130000 | BAG, TOOL KIT        | 1    |
| 2   | 02104B130000 | HANDLE, SCREW DRIVER | 1    |
| 3   | 02101B130000 | SOCKET, SPARK PLUG   | 1    |
| 4   | 02103B130000 | DRIVER, DOUBLE-ENDED | 1    |
| 5   | 02108G010000 | WRENCH               | 1    |
| 6   | B20011301603 | WRENCH, DOUBLE-ENDED | 1    |
| 7   | B20011001203 | WRENCH, DOUBLE-ENDED | 1    |
| 8   | B20020600003 | SOCKET SPANNER       | 1    |
|     |              |                      |      |
|     |              |                      |      |





**BACK BOX ASSY**

| NO. | CODE         | DESCRIPTION           | QTY. |
|-----|--------------|-----------------------|------|
| 1   | 52210B92B500 | BACK BOX (BLACK)      | 1    |
| 2   | B01010602524 | BOLT M6X25            | 4    |
| 3   | 88600B920000 | BACK BOX LOCK         | 1    |
| 4   | 52221B920000 | WASHER                | 4    |
| 5   | B07020000604 | WASHER 6              | 4    |
| 6   | B07000000604 | WASHER SPRING , 6     | 4    |
| 7   | B04000600055 | NUT M6                | 4    |
| 8   | B01010601224 | BOLT 6X12MM           | 4    |
| 9   | 52183B030000 | FIX BOARD             | 1    |
| 10  | 52181B030000 | FIX BOARD I           | 1    |
| 11  | 52182B030000 | FIX BOARD II          | 1    |
| 12  | 05591B030003 | BACK BOX COVER        | 1    |
| 13  | B01070601663 | SCREW M6×16           | 2    |
| 14  | 52910B920000 | NUT,CLIPPING M6       | 2    |
| 15  | 52200B03B504 | BACK BOX ASSY (BLACK) | 1    |