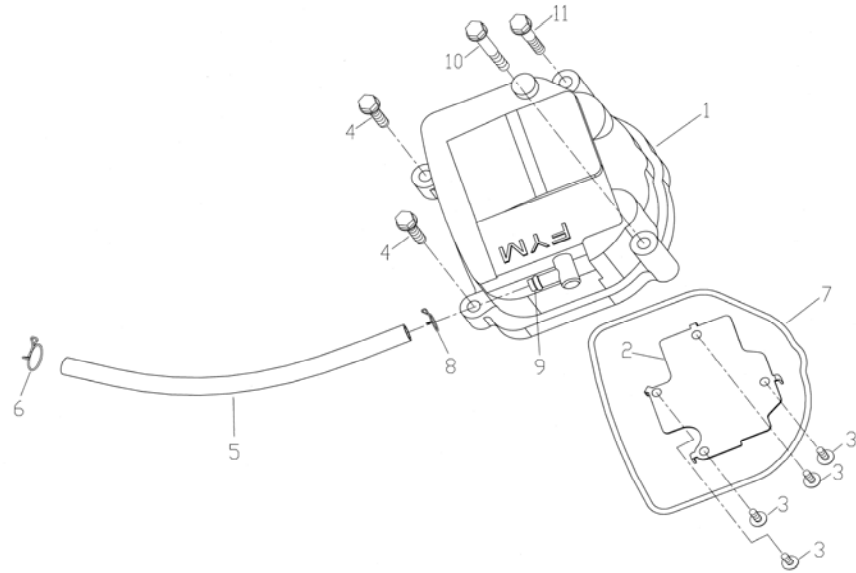


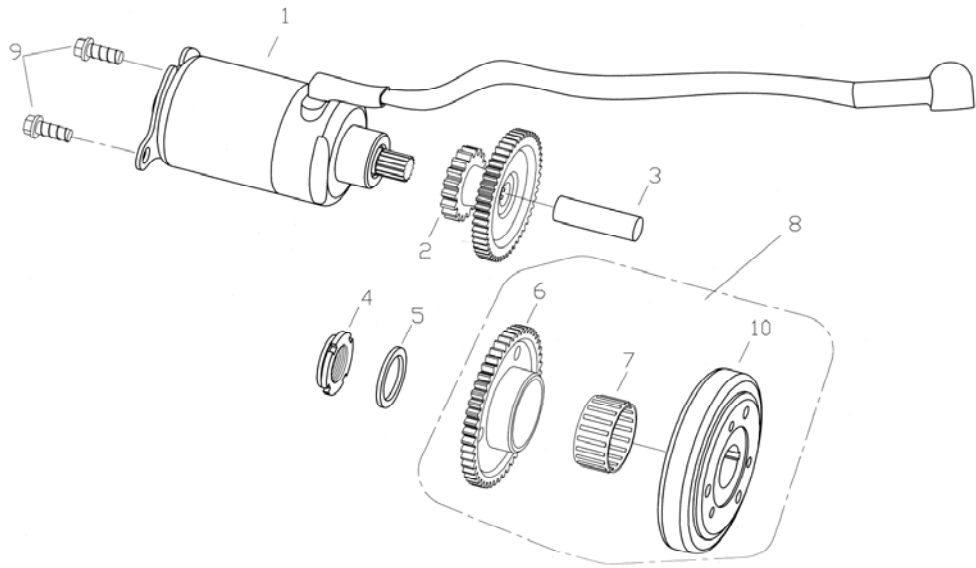
ATLANTIS 150 ENGINE PARTS

E-1 CYLINDER HEAD COVER



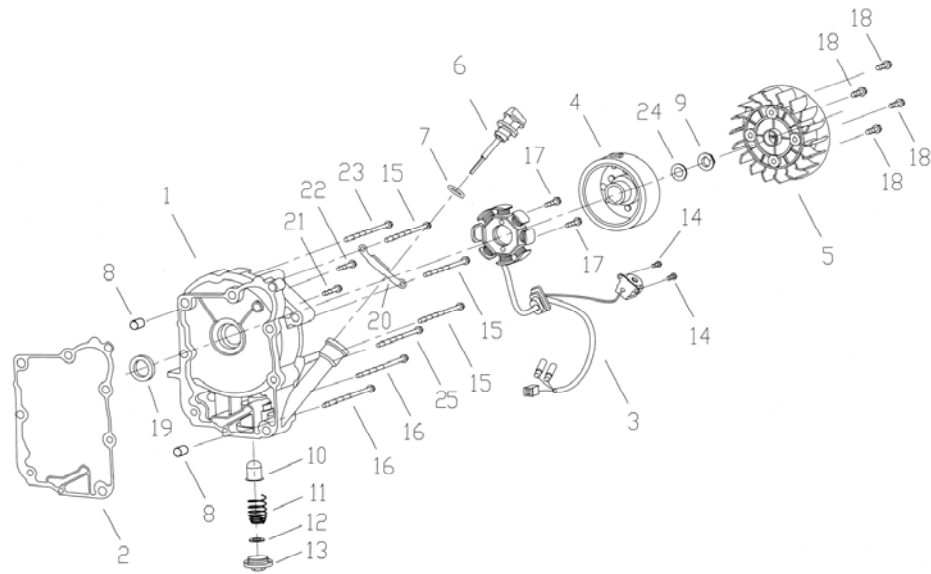
NO.	CODE	Parts Name	QTY	REMARKS
1	12310-FYIQ2-000	COVER, CYLINDER HEAD	1	
2	12312-FYDQ-000	OIL FENDER	1	
3	GB/T845-ST4. 2*8-A2G	CROSS TAPPING BOLT M4*8	4	
4	90103-06025-00F5J	HEX. FLANGE BOLT M6*25	2	
5	11211-FYDQ-000	BREATHER PIPE	1	
6	QC/T621-A10-A2F	TUBE CLIP $\Phi 10$	1	
7	12392-FYIQ2-000	GASKET, CYLINDER HEAD	1	
8	QC/T621-A8.5-A2F	TUBE CLIP $\Phi 8.5$	1	
9	12311-FYDQ-000	JOINT, BREATHER PIPE	1	
10	90103-06040-00F5J	HEX. FLANGE BOLT M6*40	1	
11	90103-06050-00F5J	HEX. FLANGE BOLT M6*50	1	

E-2 STARTER MOTOR



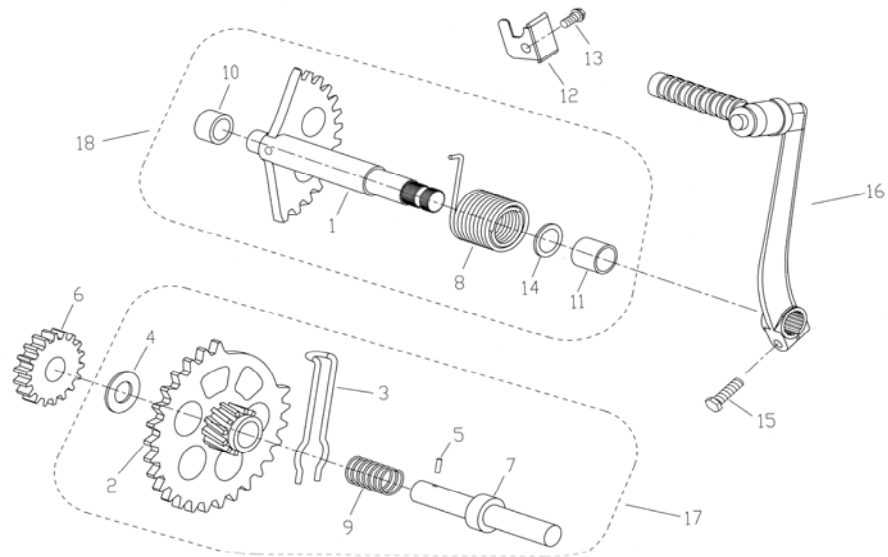
NO.	CODE	Parts Name	QTY	REMARKS
1	31200-FYIQ2-000	START MOTOR ASSY	1	
2	28101-FYDQ-000	PINION GEAR, START MOTOR	1	
3	28102-FYDQ-000	PINION GEAR SHAFT	1	
4	GB/T812-M22-0	LOCKNUT M22	1	
5	90322-FYDQ-00B	WASHER 22.7*31*2.5	1	
6	28121-FYIQ2-000	SURPASS CLUTCH LARGE GEAR	1	
7	90928-28032-017	BEARING 28*32*17	1	
8	28120-FYDQ-000	STARTING CLUTCH ASSEMBLY	1	
9	90103-06016-00F5J	HEX. FLANGE BOLT M6*16	2	
10	28128-FYIQ2-000	BODY, STARTER CLUTCH	1	

E-3 RIGHT HAND CRANKCASE COVER AND STATOR



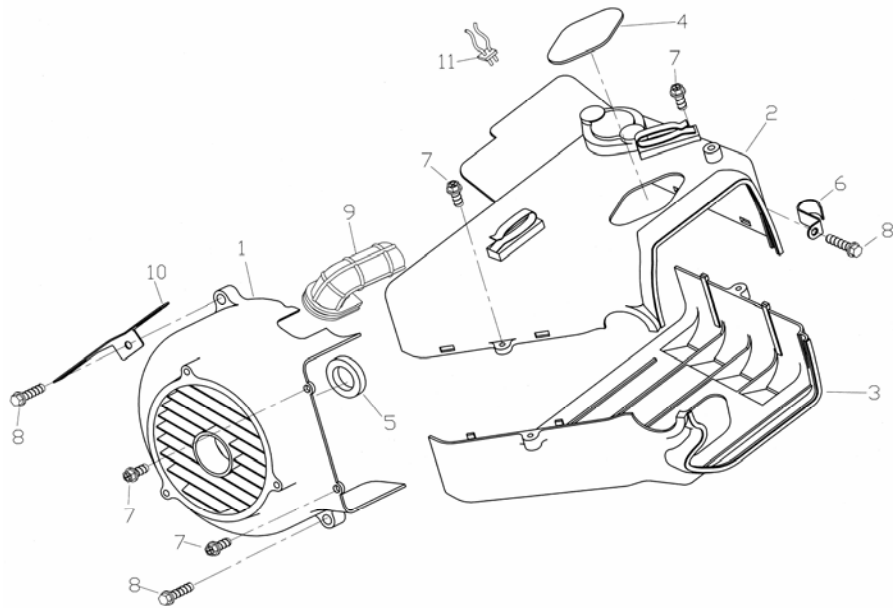
NO.	CODE	Parts Name	QTY	REMARKS
1	11400-FYIQ2-100	RH. CRANKCASE COVER	1	
2	11393-FYDQ-000	GASKET, RH. CRANKCASE COVER	1	
3	31120-FYDQ-008	STATOR, MAGNETO	1	
4	31110-FYDQ-008	ROTOR, MAGNETO	1	
5	19510-FYIQ2-100	COOLING FAN	1	
6	15155-FYDQ-001	OIL PLUG	1	
7	90701-1803-000	O-RING 18.7*24.7*3.0	1	
8	GB/T879.4-8*14	DOWEL PIN 8 × 14	1	
9	90212-FYDQ-00W	NUT M12	1	
10	15160-FYDQ-000	OIL FILTER	1	
11	15172-FYDQ-000	SPRING, OIL FILTER	1	
12	90730-FYDQ-000	O-RING 30.8*3	1	
13	15171-FYDQ-000	NUT COVER	1	
14	GB/T5783-M5*12-A2F	HEX. BOLT M5*12	2	
15	90103-06095-00A2F	HEX. FLANGE BOLT M6*95	3	
16	90103-06110-00F5J	HEX. FLANGE BOLT M6*110 (CHROME)	2	
17	90103-06028-00A2F	HEX. FLANGE BOLT M6*28	2	
18	90103-06018-00A2F	HEX. FLANGE BOLT M6*18	4	
19	90719-FYDQ-000	OIL SEAL 19.8*30*5	1	
20	31126-FYDQ-000	WIRE CLIP, MAGNETO	1	
21	90103-06032-00F5J	HEX. FLANGE BOLT M6*32	1	
22	90103-06035-00F5J	HEX. FLANGE BOLT M6*35	1	
23	90103-06100-00A2F	HEX. FLANGE BOLT M6*100	1	
24	90301-12024-000K	WASHER φ 12.5*24*2.5	1	
25	90103-06095-00F5J	HEX. FLANGE BOLT M6*95	1	

E-4 KICKSTART ASSEMBLY



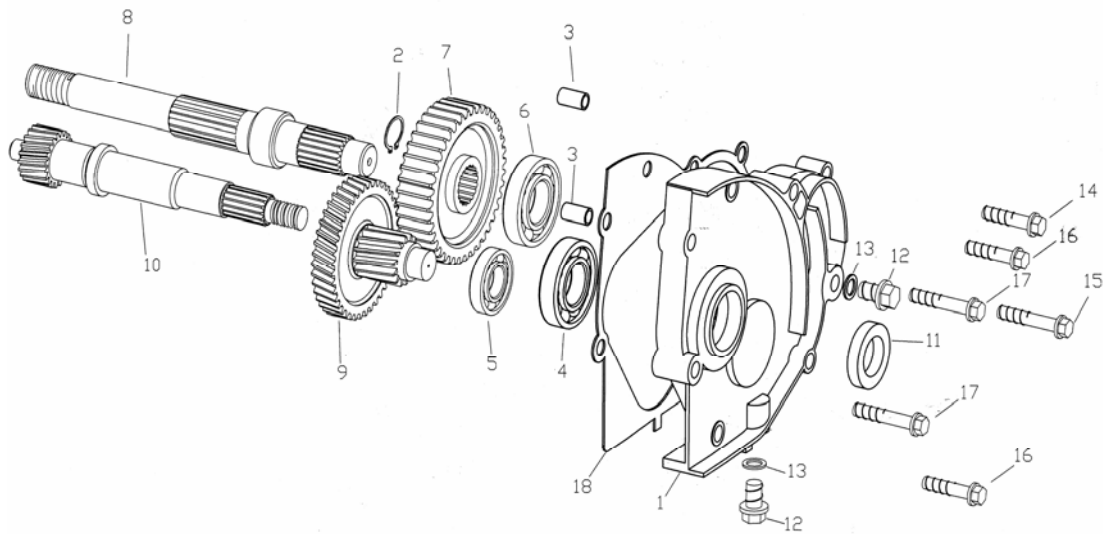
NO.	CODE	Parts Name	QTY	REMARKS
1	E122107-FYIQ2-0000	STARTING SHAFT (128)	1	
2	28232-FYIQ2-000	IDLE GEAR, STARTING SHAFT	1	
3	28233-FYIQ2-000	SPRING, STARTING SHAFT	1	
4	23383-12022-16000	WASHER 12*22*1.6	1	
5	GB/T119.2-2000-03085	PIN 3*8.5	1	
6	28220-FYDQ-000	DRIVEN GEAR	1	
7	28234-FYIQ2-000	STARTING SHAFT, IDEL GEAR	1	
8	28116-FYIQ2-000	SPRING, STARTING SHAFT	1	
9	28236-FYIQ2-000	SPRING. IDLE SHAFT	1	
10	28147-FYIQ2-000	COLLER1, STARTING SHAFT	1	
11	28148-FYIQ2-000	COLLER2, STARTING SHAFT	1	
12	28112-FYDQ-000	STOP PLATE, SPRING	1	
13	90103-06014-00A2F	HEX. FLANGE BOLT M6*14	1	
14	28103-14024-1500B	FLAT WASHER 14*24*1.5	1	
15	GB/T5783-M6*22-A2S	HEX. BOLT M6*22	1	
16	28300-FYDQ-000	STARTING LEVER	1	
17	28230-FYDQ-000	STARTING IDLE GEAR COMP.	1	
18	28100-FYDQ-000	STARTING SHAFT COMP.	1	

E-5 COOLING FAN COVER



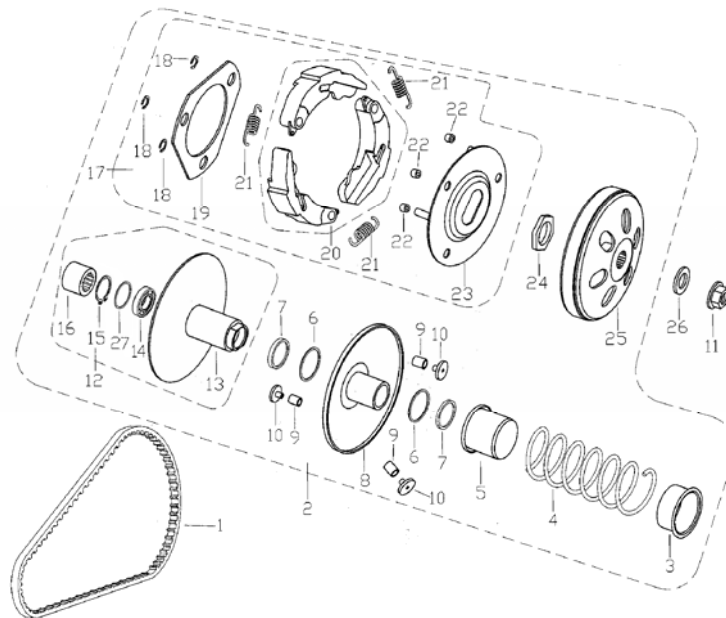
NO.	CODE	Parts Name	QTY	REMARKS
1	19610-FYIQ2-100	COOLING FAN COVER (W/H SEAL)	1	
2	19620-FYIQ2-100	UPPER COVER (W/H SEAL)	1	
3	19630-FYIQ2-100	UNDER COVER (W/H SEAL)	1	
4	19642-FYIQ2-000	ADJUSTER COVER	1	
5	19624-FYIQ2-000	rubber plug, fan cover	1	
5	90561-FYDQ-000	CLIP, START MOTOR	1	
6	E052123-FYIQ2-0000	TUBE CLIP	1	
7	90103-06025-00F5J	HEX. FLANGE BOLT M6*25	3	
8	GB/T9456-M5*16-A2S	HEX. FLANGE TAPPING SCREW M5*16	4	
9	19613-FYIQ2-000	COOLING TUBE, CARBURETOR	1	
10	90561-FYDQ-000	CLIP, START MOTOR	1	
11	90563-FYIQ2-000	high voltage clamp	1	

E-6 TRANSMISSION



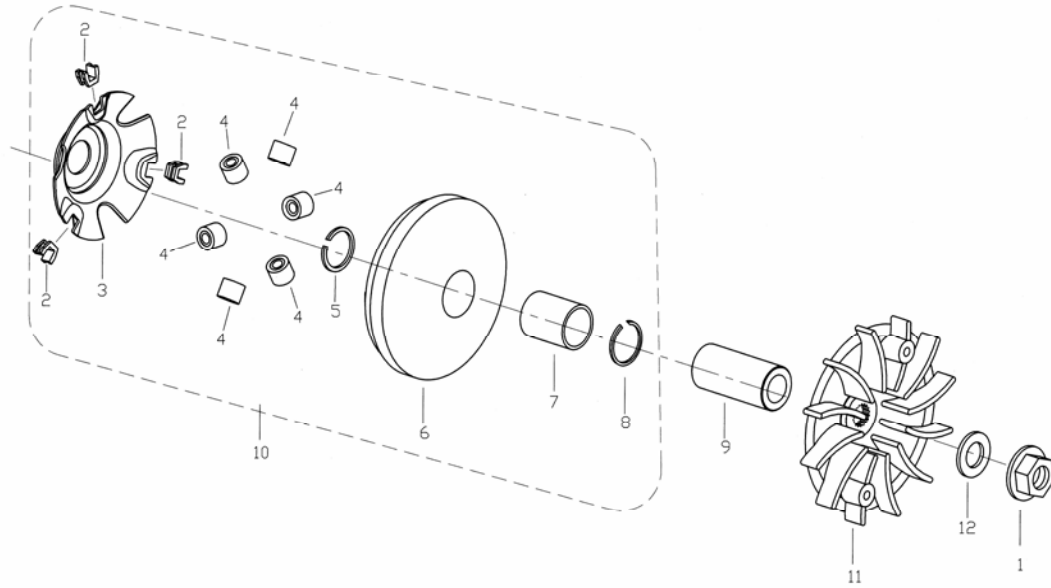
NO.	CODE	Parts Name	QTY	REMARKS
1	22110-FYIQ2-100	COVER, TRANSMISSION CASE	1	
2	GB/T894.1-20-0	TUBE, GEAR CASE	1	
3	GB/T879.4-8*14	POSITION PIN 8*14	2	
4	6204/P5-GB/T276-94-G	BEARING 6204	1	
5	6202/P5-GB/T276-94	BEARING 6202	1	
6	6203/P6-GB/T276-94	BEARING 6203	1	
7	23432-FYDQ-000	FINAL GEAR	1	
8	23431-FYDQ-000	FINAL SHAFT	1	
9	23420-FYDQ-000	COUNTER SHAFT	1	
10	23411-FYDQ-000	DRIVING SHAFT	1	
11	90720-FYDQ-000	OIL SEAL 20*32*6	1	
12	GB/T16674.1-M8*12-F5J	HEX. FLANGE BOLT M8*12	2	
13	90308-FYIQ2-000	GASKET	2	
14	90103-06028-00F5J	HEX. FLANGE BOLT M6*28	1	
15	90103-06035-00F5J	HEX. FLANGE BOLT M6*35	1	
16	90103-06035-00A2F	HEX. FLANGE BOLT M6*35	2	
17	90103-06028-00A2F	HEX. FLANGE BOLT M6*28	2	
18	22112-FYDQ-000	WASHER, TRANSMISSION CASE	1	

E-7 CVT ASSEMBLY



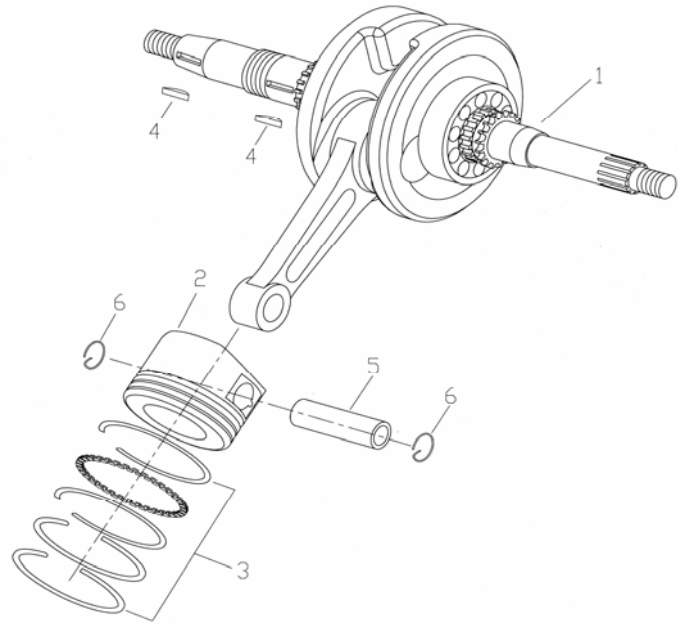
NO.	CODE	Parts Name	QTY	REMARKS
1	23100-FYDQ-000	DRIVING BELT (LENGTH835)	1	
2	23300-FYIQ2-000	DRIVEN BELT WHEEL ASSY	1	
3	E082201-FYIQ2-0000	SLEEVE	1	
4	E082202-FYIQ2-0000	DRIVING SPRING	1	
5	E082203-FYIQ2-0000	OIL SEAL SLEEVE	1	
6	90701-40*3.5-00000	O-RING40*3.5	2	
7	90801-34041-004	OIL SEAL 34*41*4	2	
8	E082204-FYIQ2-0000	GLIDING BELT SET	1	
9	E082205-FYIQ2-0000	ROLLER	2	
10	E082206-FYIQ2-0000	ROLL ROAD PIN	2	
11	90212-FYIQ2-00W	SELF-LOCK NUT M12	1	
12	E082210-FYIQ2-0000	DRIVEN BELT SET	1	
13	E082211-FYIQ2-0000	DRIVEN BELT SET	1	
14	E082212-FYIQ2-0000	SHAFT SET	1	
15	GB/T895.1-28-0	CIRCLIP	1	
16	90908-HK2029/BRS	ROLL NEEDLE BEARING	1	
17	E082240-FYIQ2-0000	SHOES ASSY	1	
18	E082243-FYIQ2-0000	RING CLIP	3	
19	E082244-FYIQ2-0000	CLUTCH PLATE	1	
20	E082241-FYIQ2-0000	SHOE	1	
21	E082242-FYIQ2-0000	SHOE SPRING	3	
22	E082245-FYIQ2-0000	SHOCKPROOF RUBBER, CLUTCH	3	
23	E082246-FYIQ2-0000	DRIVEN PLATE, CLUTCH	1	
24	E082207-FYIQ2-0000	NUT M28	1	
25	21111-FYDQ-000	CLUTCH COVER	1	
26	GB/T848-12-A2F	WASHER 12	1	
27	E082213-FYIQ2-0000	SHAFT SET SEAL RING	1	

E-8 VARIABLE SPEED PULLY (CYT FRONT)



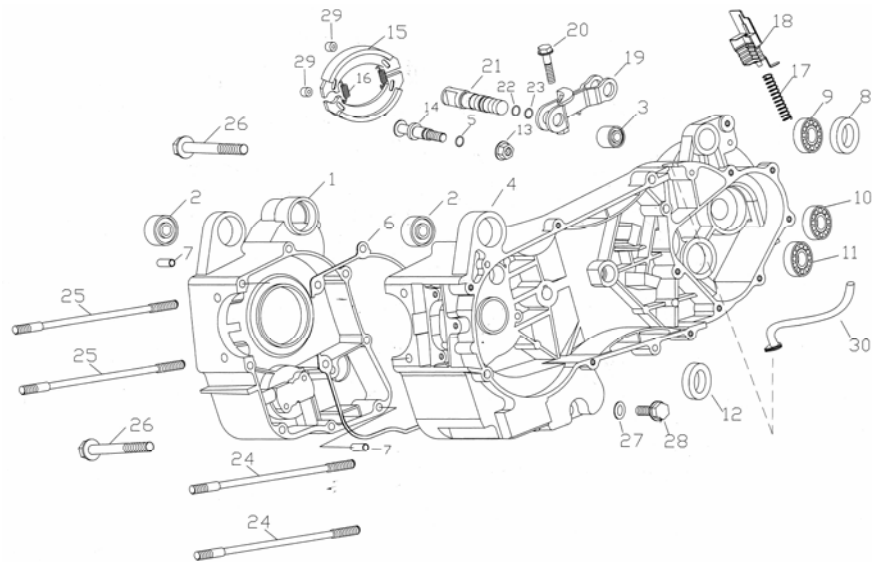
NO.	CODE	Parts Name	QTY	REMARKS
1	90212-FYIQ2-00W	FLANGE NUT M12	1	
2	23226-FYIQ2-000	INCLINE PLATE PIECE	3	
3	E082114-FYIQ2-0000	INCLINE PLATE	1	
4	23224-FYDQ-000	ROLLER	6	
5	GB/T895.1-28-0	CLIP RING	1	
6	E082112-FYIQ2-0000	GLIDE DRIVEN SET	1	
7	E082116-FYIQ2-0000	SLEEVE	1	
8	GB/T895.1-28-0	CLIP RING	1	
9	23222-FYIQ2-000	DRIVEN SET SHEATH	1	
10	23220-FYIQ2-000	GLIDE DRIVEN SET ASSY	1	
11	23210-FYIQ2-000	FAN LEAF SET	1	
12	GB/T848-12-A2F	WASHER 12	1	

E-9 CRANKSHAFT AND PISTON



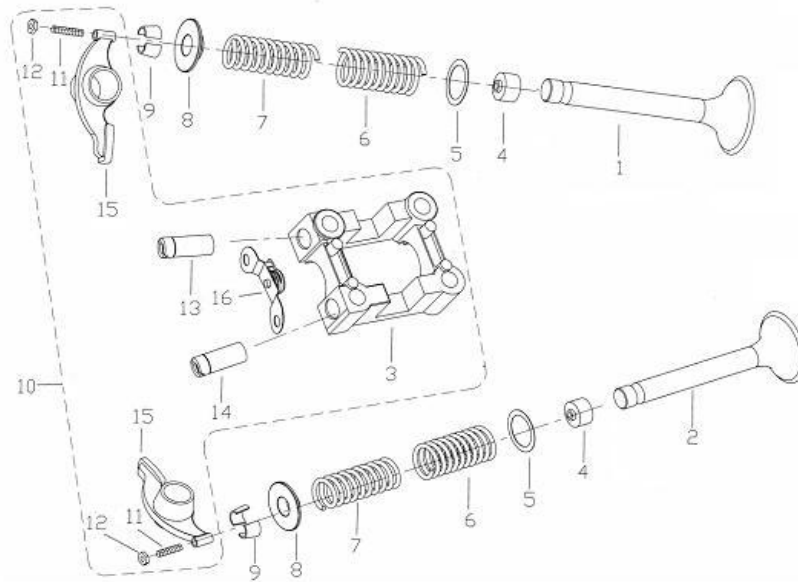
NO.	CODE	Parts Name	QTY	REMARKS
1	13000-FYDQ-000	CONNECTING ROD, CRANKSHAFT	1	
2	13100-FYJQ-000	PISTON	1	
3	13120-FYJQ-000	PISTON RING SET	1	
4	13206-FYIQ2-000	WOODRUFF KEY	2	
5	13111-FYJQ-000	PISTON PIN	1	
6	13112-FYDQ-000	CLIP, PISTON PIN	2	

E-10 RIGHT HAND CRANKCASE



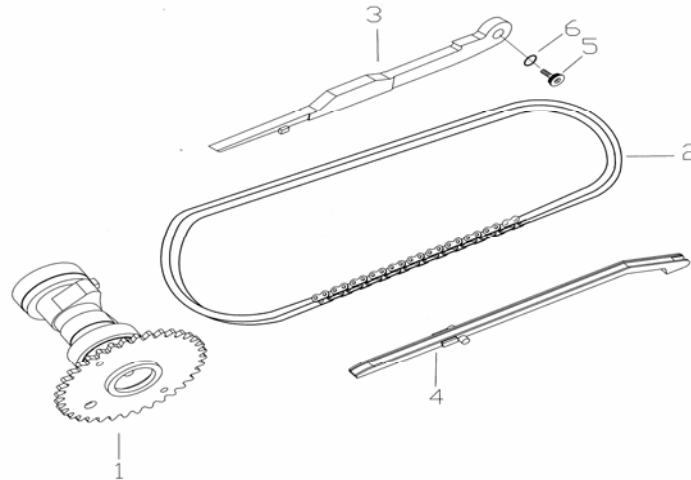
NO.	CODE	Parts Name	QTY	REMARKS
1	11100-FYIQ2-200	CRANKCASE , R.	1	
2	11126-FYDQ-000	COLLAR, HANGER HOLDER, ENGINE	1	
3	11226-FYDQ-000	COLLAR, UNDER, RR DAMPER	1	
4	11200-FYIQ2-200	CRANKCASE , L.	1	
5	90775-FYDQ-000	O-RING 7.5*1.5	1	
6	11191-FYJQ-000	WASHER, CRANKCASE	1	
7	GB/T879.4-8*14	DOWEL PIN ϕ 8*14	2	
8	90827-FYDQ-000	OIL SEAL 27*42*7	1	
9	6004-2RS/C3-GB/T276-94-T	BEARING 6004	1	
10	6301/P5-GB/T276-94-G	BEARING 6301	1	
11	6002/P5-GB/T276-94	BEARING 6002	1	
12	90719-FYDQ-000	OIL SEAL 19.8*30*5	1	
13	GB/T6187.1-M8-A2F	HEX. FLANGE LOCKNUT M8	1	
14	11269-FYDQ-000	FIX PIN, BRAKE	1	
15	11240-FYDQ-000	RR. BRAKE	1	
16	43101-FYIQ2-000	SPRING	1	
17	11261-FYDQ-000	SPRING, BRAKE ARM	1	
18	11268-FYIQ2-000	FENDER COVER, RR. BRAKE	1	
19	11267-FYDQ-000	ARM, RR. BRAKE	1	
20	GB/T5789-M6*32-F5J	HEX. FLANGE BOLT M6*32	1	
21	11265-FYDQ-000	CAMSHAFT, RR. BRAKE	1	
22	90711-FYDQ-000	O-RING 11.3*1.3	1	
23	90713-FYDQ-000	O-RING 13.1*1.0	1	
24	90419-FYDQ-08C	BOTH HEAD BOLT M8*195.5	2	
25	90418-FYDQ-08C	BOTH HEAD BOLT M8*187.5	2	
26	90103-06050-00A2F	HEX. FLANGE BOLT M6*50	2	
27	GB/T848-12-A1	WASHER ϕ 12*20*2	1	
28	GB/T5789-96-12015-C	DRAIN BOLT M12 \times 15 (CHROMIUM)	1	
29	11241-FYIQ2-000	CUSHION WASHER	2	
30	11221-FYIQ2-000	Pipe gearbox	1	

E-11 VALVE SYSTEM



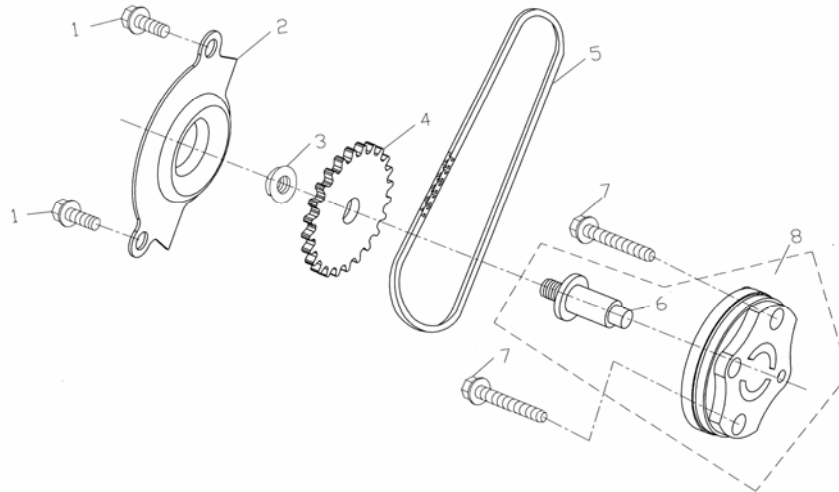
NO.	CODE	Parts Name	QTY	REMARKS
1	14711-FYJQ-000	VALVE, IN.	1	
2	14721-FYJQ-000	VALVE, EX.	1	
3	E152202-FYJQ-0000	SWING ARM BRACKET	1	
4	14790-FYDQ-000	OIL SEAL, VALVE	2	
5	14775-FYDQ-000	SPRING HOLDER, VALVE	2	
6	14751-FYJQ-000	SPRING OUTER, VALVE	2	
7	14761-FYJQ-000	SPRING INNER, VALVE	2	
8	14771-FYDQ-000	SPRING DISK, VALVE	2	
9	14781-FYDQ-000	CIRLIP, VALVE	4	
10	E152200-FYJQ-0000	SWING ARM COMP.	2	
11	14436-FYIQ2-000	ADJUST NUT, VALVE	2	
12	14437-FYIQ2-000	LOCK NUT, ADJUST VALVE	2	
13	14451-FYIQ2-000	ARM SHAFT, VALVE EX	1	
14	14452-FYIQ2-000	ARM SHAFT, VALVE IN.	1	
15	E152201-FYIQ2-0000	SWING ARM	2	
16	14460-FYIQ2-000	REDUCE COMPRESSOR PLATE	1	

E-12 CAMSHAFT AND TIMING CHAIN



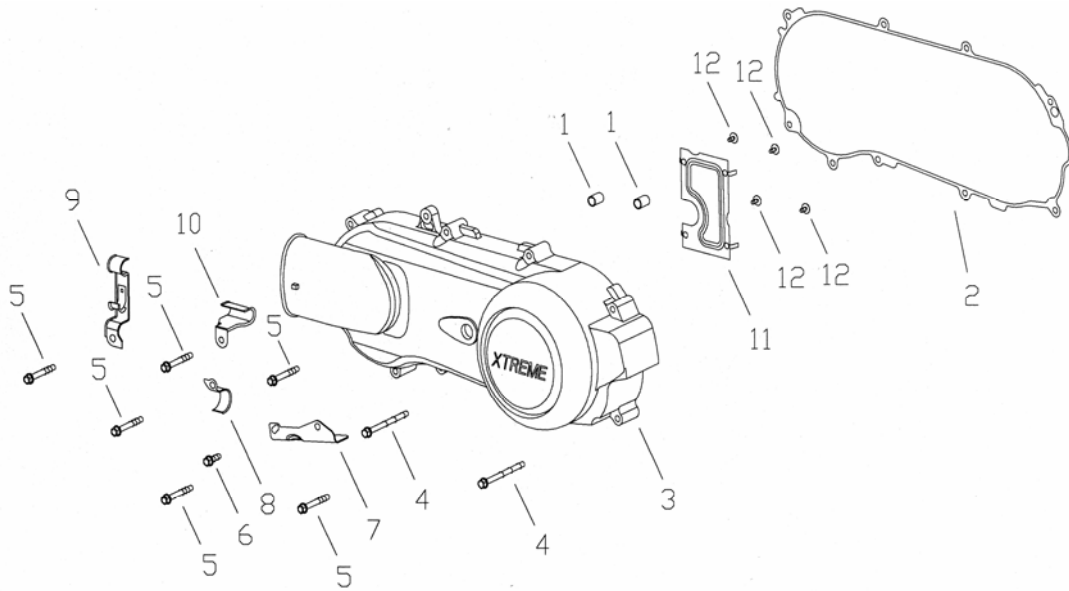
NO.	CODE	Parts Name	QTY	REMARKS
1	14100-FYDQ-100	GEAR COMP, CAMSHAFT	1	
2	14440-FYDQ-000	CAM CHAIN	1	
3	14510-FYIQ2-000	UPPER CHAIN GUIDE BAR	1	
4	14511-FYIQ2-000	LOWER CHAIN GUIDE BAR	1	
5	14514-FYDQ-000	BOLT, GUIDE ROD, CHAIN	1	
6	90752-FYDQ-000	O-RING 15*1.5	1	

E-13 OIL PUMP AND DRIVE



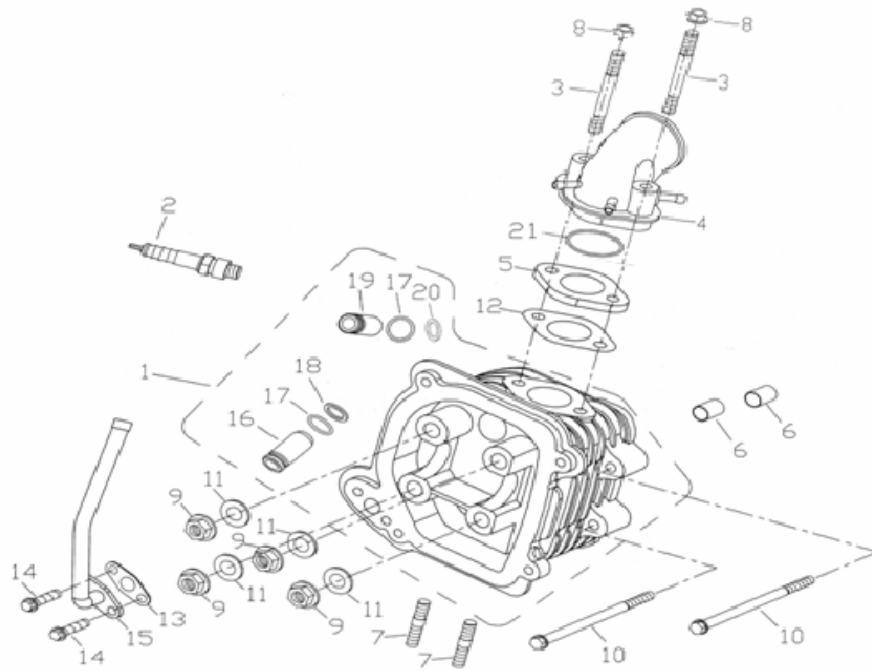
NO.	CODE	Parts Name	QTY	REMARKS
1	90103-06012-00A2F	HEX. FLANGE BOLT M6*12	2	
2	15134-FYDQ-000	APARTING PLATE, OIL	1	
3	GB/T6177.1-M6-A2F	HEX. FLANGE NUT M6	1	
4	15133-FYDQ-000	STARING GEAR, OIL PUMP	1	
5	15111-FYDQ-000	STARING CHAIN, OIL PUMP	1	
6	E041001-FYIQ2-0000	OIL PUMP SHAFT	1	
7	90103-06025-00A2F	HEX. FLANGE BOLT M6*25	2	
8	15100-FYDQ-000	OIL PUMP ASSY	1	

E-14 LEFT HAND CRANKCASE COVER



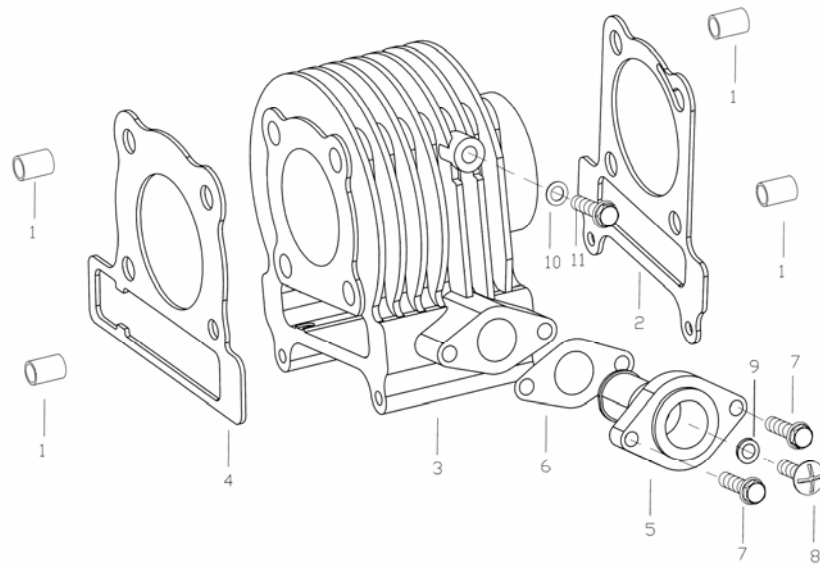
NO.	CODE	Parts Name	QTY	REMARKS
1	GB/T879.4-8*14	DOWEL PIN 8*14	2	
2	11495-FYDQ-000	WASHER, CRANKCASE, L	1	
3	E032006-FYIQ2-2B03	LH CRANKCASE COVER	1	
4	90103-06065-00F5J	HEX. FLANGE BOLT M6*65	2	
5	90103-06040-00F5J	HEX. FLANGE BOLT M6*40	6	
6	90103-06012-00F5J	HEX. FLANGE BOLT M6*12	1	
7	11423-FYDQ-00C	LIMIT PLATE, MAIN BRACKET	1	
8	90567-FYDQ-00C	BRAKE CABLE CLIP	1	
9	90566-FYDQ-00C	THROTTLE CABLE CLIP	1	
10	90568-FYDQ-00C	TUBE CLIP	1	
11	11421-FYDQ-000	GUIDE PLATE, VENT TUBE	1	
12	GB/T845-ST4.2*8-A2G	CROSS TAPPING SCREW M4*8	4	

E-15 CYLINDER HEAD



NO.	CODE	Parts Name	QTY	REMARKS
1	12200-FYJQ-100	CYLINDER COMP	1	
2	98060-FYDQ-010	SPARK PLUG COMP	1	
3	90462-FYDQ-00W	BOLT M6*62	2	
4	16103-FYDQ-000	VENT TUBE, IN	1	
5	16107-FYDQ-000	HEAT FENDER	1	
6	GB/T879.4-10*16	DOWEL PIN 10× 16	2	
7	90432-FYDQ-00W	STUD BOLT M6×32	2	
8	90481-FYBT-000	HEX. FLANGE NUT M6	2	
9	GB/T6177.1-M8-A2F	HEX. FLANGE NUT M8	4	
10	90103-06100-00A2F	HEX. FLANGE BOLT M6*100	2	
11	90308-FYDQ-00C	GASKET φ 8*18*2	4	
12	16106-FYDQ-000	WASHER, HEAT FENDER	1	
13	18284-FYBT-002	WASHER	1	
14	90103-06022-00A2F	HEX. FLANGE BOLT M6*22	2	
15	E010008-FYIQ2-0A3H	STEEL TUBE	1	
16	12202-FYIQ2-000	GUID SET VALVE.EX	1	
17	90715-FYDQ-000	O-RING9.5*1.5	2	
18	12204-FYIQ2-000	SEAT RING VALVE.EX	1	
19	12201-FYIQ2-000	GUIDE SET VALVE.IN	1	
20	E012106-FYIQ2-0000	SEAT RING VALVE.IN	1	
21	90727-FYDQ-000	O-RING 27*2	1	

E-16 CYLINDER



NO.	CODE	Parts Name	QTY	REMARKS
1	GB/T879.4-10*16	DOWEL PIN 10× 16	4	
2	12191-FYJQ-000	GASKET, CYLINDER	1	
3	12100-FYJQ-000	CYLINDER	1	
4	12391-FYJQ-000	GASKET, CYLINDER HEAD	1	
5	14520-FYDQ-000	ADJUSTER, CHAIN	1	
6	14524-FYDQ-000	WASHER, CHAIN ADJUSTER	1	
7	90103-06025-00A2F	HEX. FLANGE BOLT M6*25	2	
8	14521-FYDQ-00B	ADJUST SCREW M6*6	1	
9	90715-FYDQ-000	O-RING 9.5*1.5	1	
10	GB/T848-6-A2F	GASKET φ 6*13*1.5	1	
11	GB/T5789-M6*12-A2F	HEX. FLANGE BOLT M6*12	1	