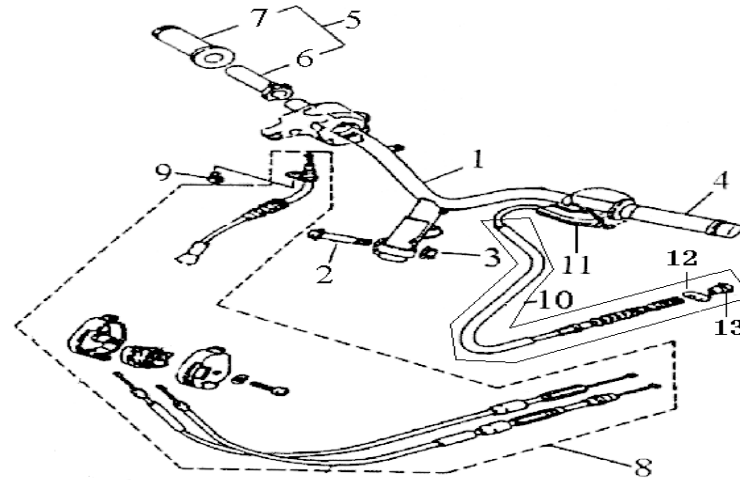


# QJ RX8 BODY PARTS LIST

## SINGLE LIGHT RX8 BODY PLASTICS

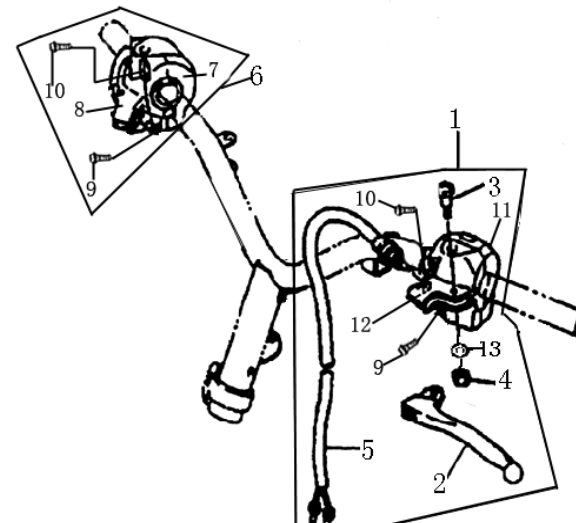
### STEERING

| NO. | CODE          | DESCRIPTION             | QTY. |
|-----|---------------|-------------------------|------|
| 1   | 40100BMBT000  | HANDLE COMP.            | 1    |
| 2   | B01091004565  | FLANGE BOLT 10X1.25X45  | 1    |
| 3   | B04171012565  | U NUT 10X1.25MM         | 1    |
| 4   | 40001BM0T000  | L. GRIP                 | 1    |
| 5   | 40210BM0BT000 | R. GRIP ASSY.           | 1    |
| 6   | 40211BMBT000  | R. GRIP                 | 1    |
| 7   | 40212BM0BT000 | THROTTLE GUIDE TUBE     | 1    |
| 8   | 40300BM0T000  | BRAKE CABLE             | 1    |
| 9   | 40008BM0T000  | JACKET, RR. BRAKE CABLE | 1    |
| 10  | B02000501025  | PAN HEAD SCREW 5X10     | 1    |
| 11  | 40270BMBT000  | BRAKE CABLE             | 1    |
| 12  | 40273BM0T00   | PIN, STOPPER (附11)      | 1    |
| 13  | 40271BM0T00   | NUT, ADJUSTING (附11)    | 1    |

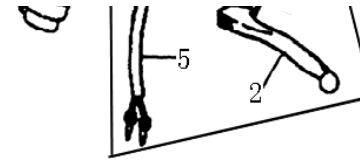


### LEVER/HANDLE SWITCH

| NO.                               | CODE           | DESCRIPTION               | QTY. |
|-----------------------------------|----------------|---------------------------|------|
| 1                                 | 40500BM0T000   | LEFT HANDLE SWITCH ASSY.  | 1    |
| include 2、3、4、5、9/2、10/2、11、12、13 |                |                           |      |
| 2                                 | 40002BM0T000   | LEFT LEVER                | 1    |
| 3                                 | 40004BMA0T000  | LEVER MOUNTING SCREW      | 1    |
| 4                                 | B0400470500065 | U NUT                     | 1    |
| 5                                 | 91600BMA0T000  | STOP SWITCH ASSY.         | 1    |
| 6                                 | 40600BM0T000   | RIGHT HANDLE SWITCH ASSY. | 1    |
| include 7、8、9/2、10/2              |                |                           |      |
| 7                                 | 40610BM0T000   | RIGHT HANDLE SWITCH       | 1    |
| 8                                 | 40620BM0T000   | R. SWITCH FIXING SEAT     | 1    |
| 9                                 | B020005020265  | PAN HEAD SCREW5X20        | 2    |

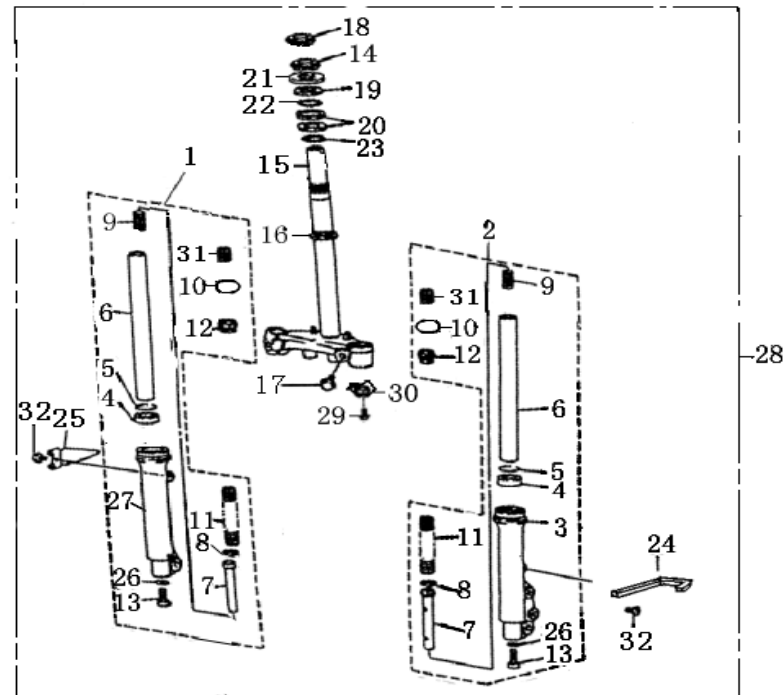


|    |               |                       |   |
|----|---------------|-----------------------|---|
| 10 | B020005025265 | PAN HEAD SCREW 5X25   | 2 |
| 11 | 40510BM0T000  | LEFT HANDLE SWITCH    | 1 |
| 12 | 40520BM0T000  | L. SWITCH FIXING SEAT | 1 |
| 13 | B07000000505  | WASHER                | 1 |



### FRONT FORK

| NO.     | CODE               | DESCRIPTION                | QTY. |
|---------|--------------------|----------------------------|------|
| 1       | 43300BMBT000       | R.H. FR. FORK ASSY.        | 1    |
| include |                    |                            |      |
| 2       | 43200BMBT000       | L.H. FR. FORK ASSY.        | 1    |
| include |                    |                            |      |
| 3       | 43201BM0T000       | OUTER TUBE, 1              | 1    |
| 4       | 43260BMA0T000      | OIL SEAL                   | 2    |
| 5       | 4320725BMA0T000    | CLIP                       | 2    |
| 6       | 43230BM0T000       | INNER TUBE COMP. , 1       | 2    |
| 7       | 43214BMA0T000      | FR. FORK PISTON            | 2    |
| 8       | 43208BMA0T000      | PISTON RING                | 2    |
| 9       | 43202BMA0T000      | SPRING                     | 2    |
| 10      | 08032BMA0T000 B010 | O-RING SCREW 6X12 DAMPER   | 2    |
| 11      | 43203BMA0T000      | FR. FORK SPRING            | 2    |
| 12      | 43204BMBT000       | CAP BOLT                   | 2    |
| 13      | B01091002562 43205 | BOLT 10X25X1.0P            | 2    |
| 14      | 43017G0KP000       | NUT                        | 1    |
| 15      | 43100BMB0T00C40    | UNDER BRKT. COMP. (SILVER) | 1    |
| 16      | 43004BMBT000       | BALL RACE, 4               | 1    |
| 17      | B01091003064       | FLANGE BOLT 10X1.25X30     | 2    |
| 18      | 43008BMA0T000      | NUT                        | 1    |
| 19      | 43001BMBT000       | BALL RACE, 1               | 1    |
| 20      | 43003BMBT000       | BALL RACE, 2               | 2    |
| 21      | 43005BMBAT000      | BALL RACE COVER            | 1    |

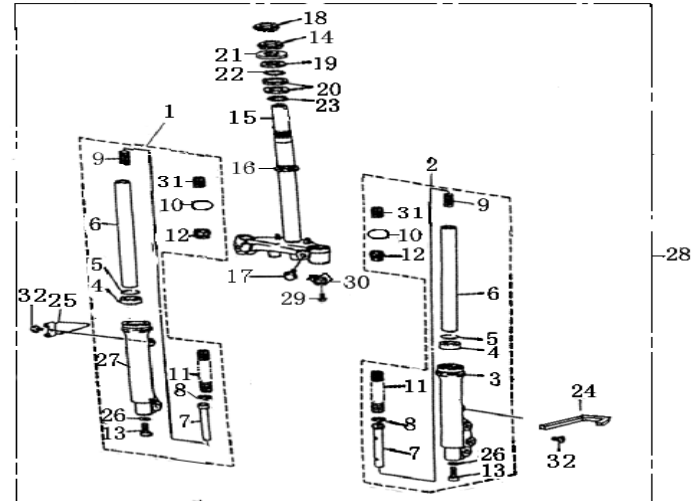


## FRONT FORK

| NO. | CODE             | DESCRIPTION               | QTY. |
|-----|------------------|---------------------------|------|
| 22  | B06010140000     | STEEL BALL $\phi$ 4.763   | 22   |
| 23  | B06010150000     | STEEL BALL $\phi$ 5       | 21   |
| 24  | 43104021BM0AT000 | BRAKE HOSE HOLDER, 1      | 1    |
| 25  | 43150065BMA0T000 | CABLE HOLDER              | 1    |
| 26  | 43209BMA0T000    | GASKET                    | 2    |
| 27  | 43301BM0T000     | OUTER TUBE, 2             | 1    |
| 28  | 43000BMBT0004312 | FRONT FORK ASSY. CIR-CLIP | 1    |

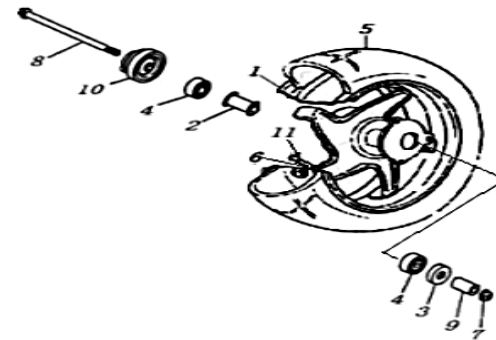
include

|    |                  |                      |   |
|----|------------------|----------------------|---|
| 29 | B01090640126652  | FLANGE BOLT 6X126    | 1 |
| 30 | 43103BMBT0004303 | BRAKE HOSE HOLDER, 2 | 1 |
| 31 | 43206BMA0T000    | COVER, ANTI-DUST     | 2 |
| 32 | B01090601665     | SCREW 6X16           | 2 |



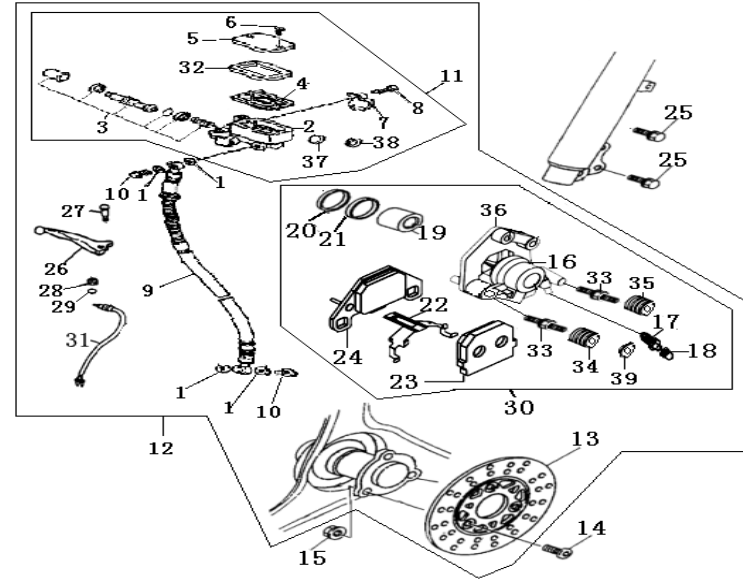
## FRONT WHEEL

| NO. | CODE            | DESCRIPTION            | QTY. |
|-----|-----------------|------------------------|------|
| 1   | 44100BM0THA0    | RIM COMP. 3.5-12"GRAY  | 1    |
| 2   | 44600006BM0T000 | DISTANCE COLLAR COMP.  | 1    |
| 3   | 44300BM0T000    | OIL SEAL 22X35X7, R.   | 1    |
| 4   | B120146020100   | BALL BEARING 6201-2RS  | 2    |
| 5   | B140107D12ACB-  | TIRE 120/70-12(E MARK) | 1    |
| 6   | B1403Z201100    | RIM VALVE              | 1    |
| 7   | B040171212564   | FLANGE U NUT 12X1.25MM | 1    |
| 8   | 44004BM0T000    | FR. WHEEL AXLE         | 1    |
| 9   | 44005BM0T000    | COLLAR                 | 1    |
| 10  | 44200BM0T000    | SPEEDOMETER GEAR COMP. | 1    |
| 11  | B1404Z2011C0    | CAP, VALVE             | 1    |



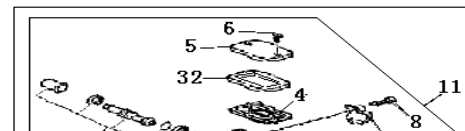
### FRONT DISK BRAKE

| NO.  | CODE         | DESCRIPTION             | QTY. |
|--|--------------|-------------------------|------|
| 1  | 08022BMAT000 | PLATE WASHER 10MM       | 4    |
| 2  | 45009BMAT000 | MASTER CYLINDER BODY    | 1    |
| 3  | 45140BMAT000 | PISTON ASSY.            | 1    |
| 4  | 45011BMAT000 | RESERVOIR DIAPHRAGM     | 1    |
| 5  | 45012BMAT000 | RESERVOIR CAP           | 1    |
| 6  | B02000401025 | FLAT HEAD SCREW 4X10    | 2    |
| 7  | 45023BMAT000 | MASTER CYLINDER BRACKET | 1    |
| 8  | B01070602363 | BOLT 6X23               | 1    |
| 9  | 45200BMAT000 | FR. BRAKE HOSE          | 1    |
| 10   | 45037BMAT000 | UNION BOLT              | 2    |
| 11   | 45400BMATB30 | CYLINDER COMP.          | 1    |
| include 2, 3, 4, 5, 6, 7, 8, 32, 37, 38                  |              |                         |      |
| 12   | 45000BMBT000 | DISC BRAKE ASSY., FR.   | 1    |
| include 1, 9, 10, 11, 13, 14, 15, 26, 27, 28, 29, 30, 31 |              |                         |      |
| 13   | 45033BMBTC20 | BRAKE DISC              | 1    |
| 14   | 45036BMAT000 | BOLT                    | 3    |
| 15   | B04171012564 | FLANGE NUT 10x1.25MM    | 3    |
| 16   | 45001B20T000 | CALIPER BODY            | 1    |
| 17   | 45019BMAT000 | BREED SCREW             | 1    |
| 18   | 45021BMAT000 | BREED SCREW CAP         | 1    |
| 19   | 45006BMAT000 | OIL PLUG                | 1    |
| 20   | 45008BMAT000 | SEAL, OIL PLUG          | 1    |
| 21   | 45007BMAT000 | COVER, DUST SEAL        | 1    |
| 22   | 45017B20T000 | PAD SUPPORT,1           | 1    |
| 23   | 45120B20T000 | BRAKE PAD KIT I         | 1    |



### DISK BRAKE

| NO. | CODE | DESCRIPTION | QTY. |
|-----|------|-------------|------|
|-----|------|-------------|------|

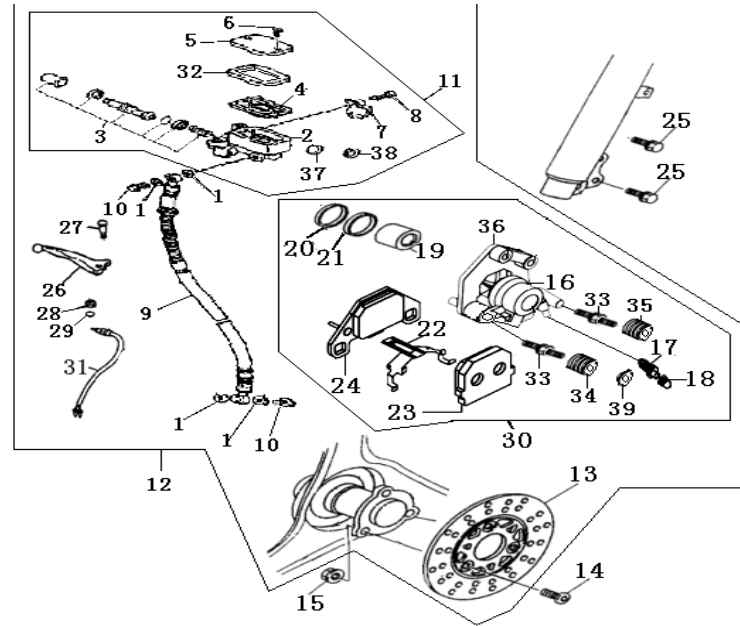


25

|    |              |                        |   |
|----|--------------|------------------------|---|
| 24 | 45130B20T000 | BRAKE PAD KIT II       | 1 |
| 25 | B01090803264 | FLANGE BOLT 8X32       | 2 |
| 26 | 40014J3AT000 | DISC BRAKE LEVER       | 1 |
| 27 | 40015BM0T000 | BOLT 6MM               | 1 |
| 28 | B04160600065 | NUT 6MM                | 1 |
| 29 | B07000000605 | WASHER                 | 1 |
| 30 | 45110BM0TR70 | CALIPER ASSY. (GOLDEN) | 1 |

include 16、17、18、19、20、21、22、23、24、33、34、35、36、39

|    |              |                              |   |
|----|--------------|------------------------------|---|
| 31 | 91700J3AT000 | STOP SWITCH ASSY.            | 1 |
| 32 | 45013BMAT000 | WASHER, CYLINDER             | 1 |
| 33 | 45014BMAT000 | GUIDE POLE                   | 2 |
| 34 | 45015BMAT000 | DUST COVER I, GUIDE POLE     | 1 |
| 35 | 45016BMAT000 | DUST COVER II, GUIDE POLE    | 1 |
| 36 | 45025BMAT000 | CONNECTING BRACKET           | 1 |
| 37 | 45170BMAT000 | MIRROR ASSY., OIL INSPECTION | 1 |
| 38 | 45031BMAT000 | SEAL, MIRROR                 | 1 |
| 39 | 45044BMAT000 | COLLAR                       | 1 |



## MUFFLER

| NO. | CODE         | DESCRIPTION   | QTY. |
|-----|--------------|---------------|------|
| 1   | 47000BM0T000 | MUFFLER ASSY. | 1    |

include 9、11、12、13、16、17、18

|    |              |                       |    |
|----|--------------|-----------------------|----|
| 2  | 47100BM0T000 | MUFFLER JOINTING COMP | 1  |
| 3  | 47023BM0T000 | COVER, DECORATION     | 1  |
| 4  | 47780BM0T000 | COVER ASSY., RR.      | 1  |
| 5  | B13040601004 | SCREW W/WASHER        | 10 |
| 6  | B07000000805 | SPRING WASHER         | 2  |
| 7  | B07030000805 | WASHER                | 2  |
| 8  | B01090803565 | BOLT                  | 1  |
| 9  | 47500BM0T001 | EXHAUST PIPE, ASSY.   | 1  |
| 10 | B01090802065 | BOLT                  | 1  |
| 11 | B01090601665 | BOLT                  | 2  |
| 12 | 47800B0DT000 | GROMMET, EXHAUST PIPE | 1  |

|    |              |                      |   |
|----|--------------|----------------------|---|
| 13 | 47500BM0T000 | EXHAUST PIPE ASSY.   | 1 |
| 14 | B04000800065 | NUT                  | 2 |
| 15 | 47740F0BT000 | WASHER ASSY., FIXING | 1 |
| 16 | 47121BM0T000 | GASKET, FLANGE       | 1 |
| 17 | B02050803265 | SCREW                | 2 |
| 18 | 48100BM0T000 | MUFFLER COMP.        | 1 |

include 2, 3, 4, 5, 6, 7, 8, 10, 14, 15, 19, 20

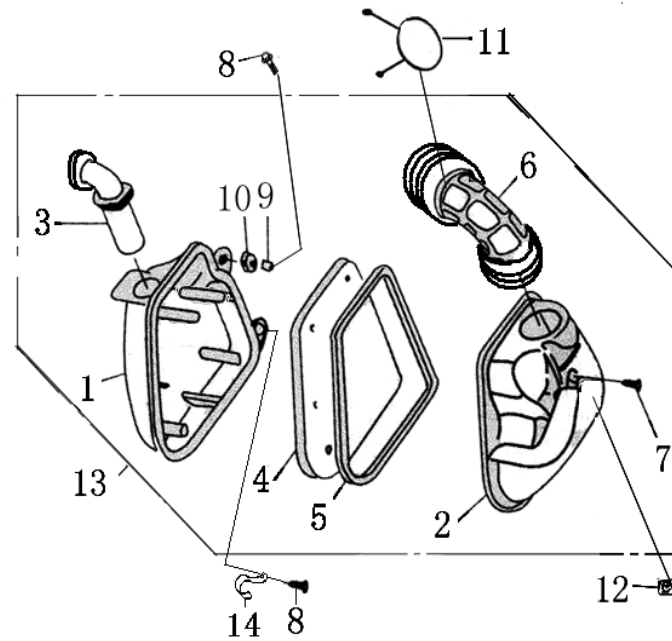
|    |              |                         |   |
|----|--------------|-------------------------|---|
| 19 | 05551BM0T000 | STICKER                 | 1 |
| 20 | 47760BM0T000 | COVER ASSY., DECORATING | 1 |

### AIR CLEANER

| NO. | CODE         | DESCRIPTION        | QTY. |
|-----|--------------|--------------------|------|
| 1   | 49101BM0T001 | CASE, AIR CLEANER  | 1    |
| 2   | 49001BM0T001 | COVER, AIR CLEANER | 1    |
| 3   | 49002BM0T000 | GUIDE PIPE         | 1    |
| 4   | 49200BM0T001 | FILTER             | 1    |
| 5   | 49013BM0T001 | SEAL GASKET        | 1    |
| 6   | 49005BM0T001 | CONNECTING PIPE    | 1    |
| 7   | B05075002503 | TAPPING SCREW      | 4    |
| 8   | B01090602065 | BOLT 6X20MM        | 2    |
| 9   | 49004BM0T000 | BUSH               | 2    |
| 10  | 49022BM0T000 | GROMMET            | 2    |
| 11  | 49016BM0T000 | CLIP               | 1    |
| 12  | 05561BM0T000 | STICKER            | 1    |
| 13  | 49000BM0T001 | AIR CLEANER ASSY.  | 1    |

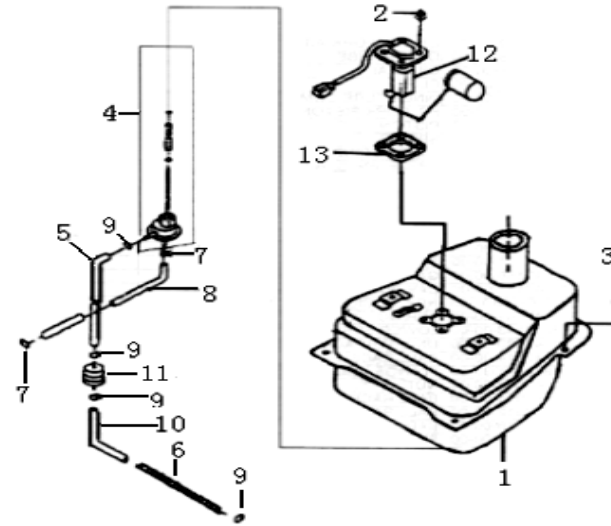
include 1-12, 14

|    |              |                    |   |
|----|--------------|--------------------|---|
| 14 | 49371B0DT000 | GUIDE, BRAKE CABLE | 1 |
|----|--------------|--------------------|---|



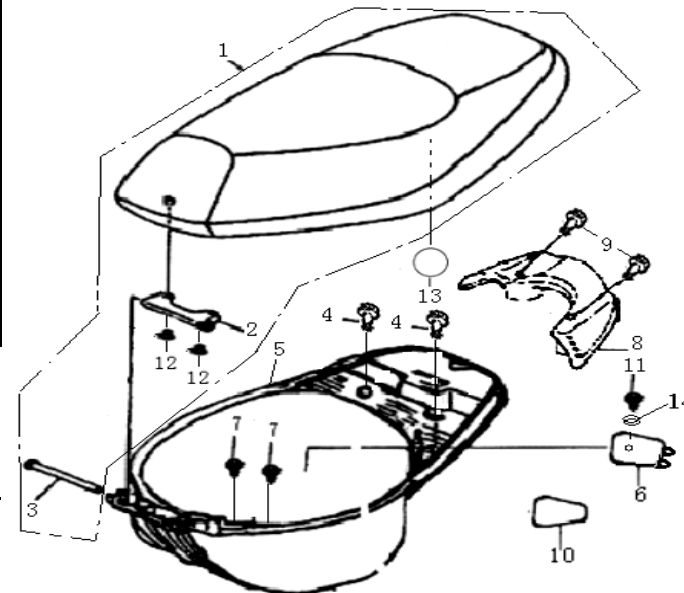
## FUEL TANK

| NO. | CODE         | DESCRIPTION        | QTY. |
|-----|--------------|--------------------|------|
| 1   | 50100BMBT000 | FUEL TANK COMP.    | 1    |
| 2   | 50801BMBT000 | BOLT W/WASHER 5X14 | 4    |
| 3   | B01090601665 | FLANGE BOLT 6X16   | 4    |
| 4   | 50300BM0T000 | FUEL COCK ASSY.    | 1    |
| 5   | 50301BMBT000 | FUEL HOSE, 1       | 1    |
| 6   | 50316BMBT000 | SPRING             | 1    |
| 7   | 50306BM0T000 | CLIP 7MM           | 2    |
| 8   | 50302BMBT000 | VACUUM HOSE, 1     | 1    |
| 9   | 50307BM0T000 | CLIP 8MM           | 4    |
| 10  | 50303BMBT000 | FUEL HOSE, 2       | 1    |
| 11  | 50340BMAT000 | FUEL FILTER ASSY.  | 1    |
| 12  | 50800BM0T000 | SENDER UNIT        | 1    |
| 13  | 50004BMBT000 | GASKET             | 1    |
| 14  | 50312J0ET000 | SEAL RING          | 1    |



## SEAT

| NO.              | CODE         | DESCRIPTION                   | QTY. |
|------------------|--------------|-------------------------------|------|
| 1                | 51100BMBTB70 | SEAT ASSY., SEPARATED FEATHER | 1    |
| include 2, 3, 12 |              |                               |      |
| 2                | 51080BM0T000 | SEAT HINGE                    | 1    |
| 3                | 51001BMBT000 | BOLT, SEAT HINGE              | 1    |
| 4                | 08003H60X000 | BOLT M6X25                    | 2    |
| 5                | 51004BMBT000 | LUGGAGE BOX                   | 1    |
| 6                | 51005BMBT000 | COVER, LUGGAGE BOX            | 1    |
| 7                | B01090601265 | FLANGE BOLT 6X12              | 2    |
| 8                | 52011BMBTB30 | RR.. CARRIER COMP., BLACK     | 1    |
|                  | 52011BMBTY50 | RR. . CARRIER COMP., YELLOW   |      |
|                  | 52011BMBTR70 | RR. CARRIER COMP, RED         |      |
|                  | 52011BMBTL90 | RR. . CARRIER COMP. , BLUE    |      |

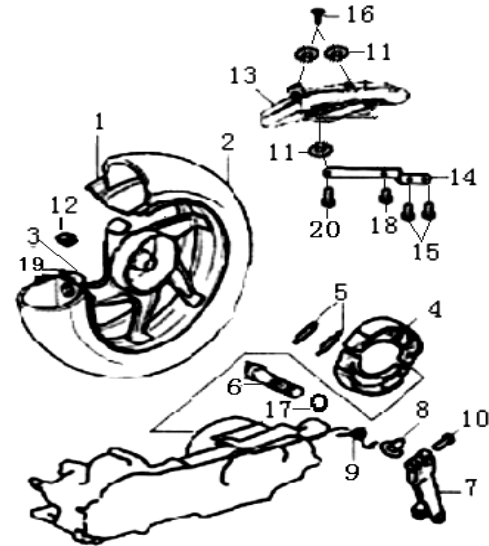


|    |               |                 |   |
|----|---------------|-----------------|---|
| 9  | B02050803564  | SOCKET BOLT8X35 | 2 |
| 10 | 51013BMBT000  | DAMPER          | 3 |
| 11 | B05075001605  | SCREW5X16       | 1 |
| 12 | B040706000634 | NUT6MM          | 2 |
| 13 | 08032BM0T000  | O-RING          | 1 |
| 14 | B07020000605  | WASHER 6        | 1 |



## REAR WHEEL

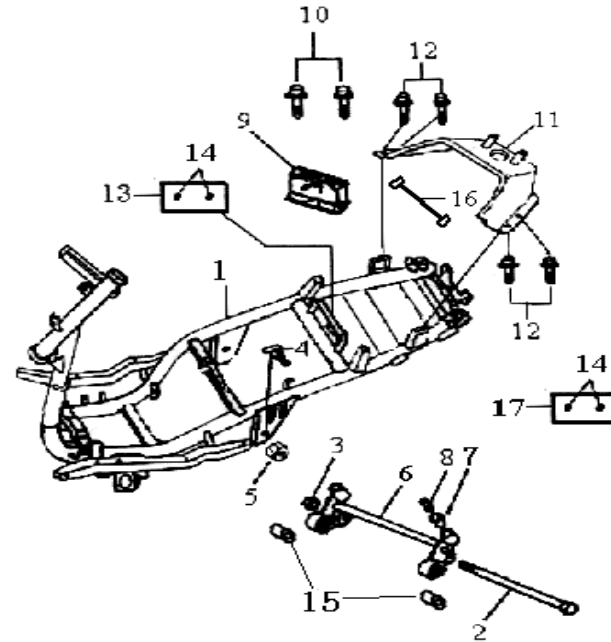
| NO. | CODE  | DESCRIPTION                  | QTY. |
|-----|---|------------------------------|------|
| 1   | 54100BM0THA0  | RIM COMP. 3.5X12" BLACK      | 1    |
| 2   | B140108D12B <del>CB-</del>                          | TIRE 130/70-12 (E MARK)      | 1    |
| 3   | B1403Z201100  | RIM VALVE Z2-01-1            | 1    |
| 4   | 54200BMB <del>D</del> T000                          | BRAKE SHOE KIT               | 2    |
| 5   | 54001BMB <del>D</del> T000                          | SPRING(BLACK)                | 2    |
| 6   | 54003BM0T000  | CAM SHAFT, 2                 | 1    |
| 7   | 54007BM0T000  | CAM SHAFT LEVER, 2           | 1    |
| 8   | 54002BM0 <del>A</del> T000                          | INDICATOR PLATE              | 1    |
| 9   | 54008BMB <del>D</del> T000                          | TENSION SPRING               | 1    |
| 10  | 08012BM0T000  | HEX. BOLT 6X30               | 1    |
| 11  | 65709BM0T000  | BUSH, RR. FENDER             | 3    |
| 12  | B041716 <del>4</del> 15064                          | U NUT 16 <del>4</del> X1.5MM | 1    |
| 13  | 65701 <del>4</del> 0BM0T000                         | REAR FENDER                  | 1    |
| 14  | 65770BM0T000 <del>6572</del><br><del>0BM0T000</del> | RR. FENDER BRACKET, R.       | 1    |
| 15  | B01090601265  | FLANGE BOLT 6X12             | 2    |
| 16  | B01090602065  | BOLT 6X20                    | 2    |
| 17  | 54021BM0T000  | O-RING                       | 1    |
| 18  | B01090600865  | BOLT                         | 1    |
| 19  | B1404Z2011C0  | CAP, VALVE                   | 1    |
| 20  | B01090601665  | BOLT 6X16                    | 1    |





## FRAME BODY

| NO. | CODE          | DESCRIPTION            | QTY. |
|-----|---------------|------------------------|------|
| 1   | 57100BMBT000  | FRAME COMP.            | 1    |
| 2   | 58303BMOAT000 | E/G MOUNTING BOLT, 1   | 1    |
| 3   | B04171212564  | FLANGE U NUT M12X1.25  | 1    |
| 4   | 58301BMBAT000 | E/G MOUNTING BOLT, 2   | 2    |
| 5   | B04171012564  | FLANGE U NUT M10X1.25  | 2    |
| 6   | 58320BMBT000  | E/G BRKT. COMP.        | 1    |
| 7   | 58302BMAT000  | DAMPER                 | 2    |
| 8   | 58304BMBAT000 | SPRING                 | 2    |
| 9   | 58800BMBT000  | SEAT CATCH COMP.       | 1    |
| 10  | B01090602065  | FLANGE BOLT 6X20       | 2    |
| 11  | 57080BMBT000  | CARRIER BRACKET        | 1    |
| 12  | B01090601265  | FLANGE BOLT 6X12       | 4    |
| 13  | 57001BMBT000  | FRAME BODY NO. PLATE   | 1    |
| 14  | B100432007P0  | RIVET3.2X7             | 4    |
| 15  | 58350BMAT000  | BUFFER, ENGINE BRACKET | 2    |
| 16  | 58900BMBT000  | SEAT CABLE             | 1    |
| 17  | 57002BMOBT000 | ANTI-TAMPERING PLATE   | 1    |

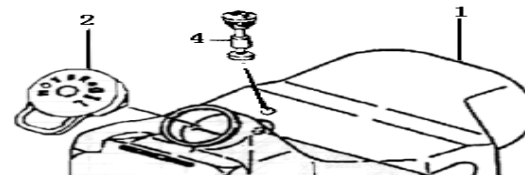


## REAR ABSORBER

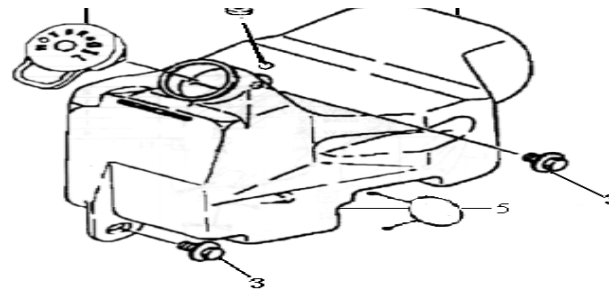
| NO. | CODE         | DESCRIPTION               | QTY. |
|-----|--------------|---------------------------|------|
| 1   | 63100BMBT000 | RR. ABSORBER COMP., WHITE | 1    |
| 2   | 63015J0ET000 | FLANGE BOLT               | 1    |
| 3   | B01141004065 | BOLT W/HOLE 10X40         | 1    |
| 4   | 63016B0DT000 | SPLIT PIN                 | 1    |



## OIL TANK

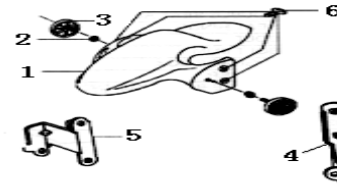


| NO. | CODE         | DESCRIPTION           | QTY. |
|-----|--------------|-----------------------|------|
| 1   | 64001BMAT000 | OIL TANK              | 1    |
| 2   | 64090BMAT000 | OIL TANK CAP          | 1    |
| 3   | B01090601265 | BOLT 6X12             | 2    |
| 4   | 64100BMAT000 | OIL LEVER GAUGE ASSY. | 1    |
| 5   | 64002J0ET000 | CLIP                  | 1    |



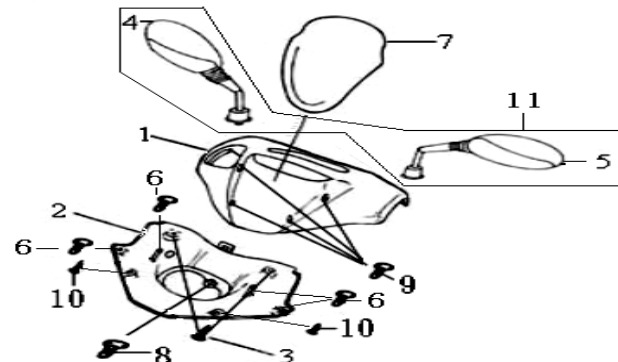
### FRONT FENDER

| NO. | CODE                         | DESCRIPTION                           | QTY. |
|-----|------------------------------|---------------------------------------|------|
| 1   | 65101BMBTC20                 | FRONT FENDER , SILVER                 | 1    |
|     | 65101BMBTH40                 | FRONT FENDER , DARK-GRAY              |      |
| 2   | B04070600065                 | FLANGE NUT 6MM                        | 2    |
| 3   | 86300BMAT000 <del>8640</del> | REAR REFLECTOR <del>SIDE REFLEX</del> | 2    |
| 4   | 65130BMBT000                 | FRONT FENDER BRACKET, 1               | 1    |
| 5   | 65140BMBT000                 | FRONT FENDER BRACKET, 2               | 1    |
| 6   | 65114BMBT000                 | SCREW W/WASHER 6X16                   | 4    |



### HANDLE COVER

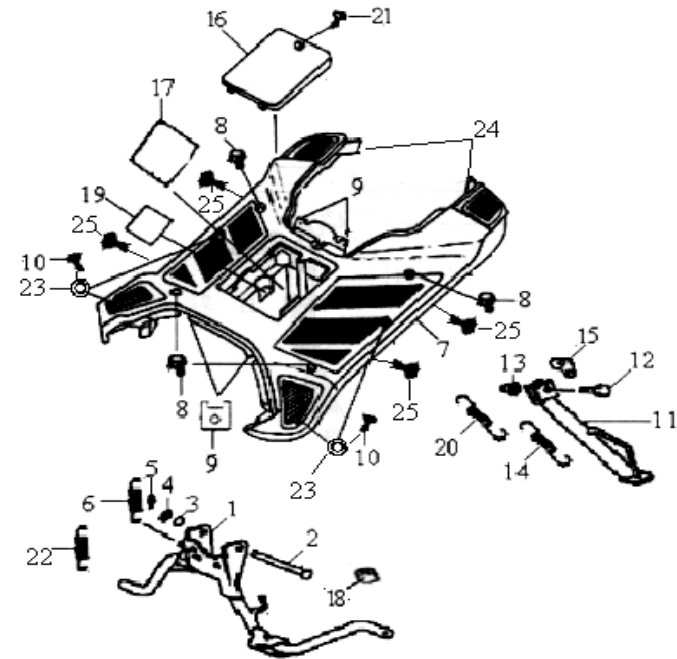
| NO. | CODE                                       | DESCRIPTION                  | QTY. |
|-----|--|------------------------------|------|
| 1   | 65202BMBTB30                               | HANDLE COVER, 1, BLACK       | 1    |
|     | 65201BMBTY50                               | HANDLE COVER, 1, YELLOW      |      |
|     | 65201BMBTR80                               | HANDLE COVER, 1, RED         |      |
|     | 65201BMBTL10                               | HANDLE COVER, 1, BLUE        |      |
| 2   | 65202BMBT000                               | HANDLE COVER, 2              | 1    |
| 3   | <del>B05070501605</del> B050               | TAPPING SCREW 5X16           | 2    |
| 4   | 40470JN0T <del>BM0T</del> 000              | REAR VIEW MIRROR ASSY., 2(E- | 1    |
| 5   | 40460 <del>BM</del> JN0T <del>GT</del> 000 | REAR VIEW MIRROR ASSY., 1(E- | 1    |
| 6   | B05074001605                               | TAPPING SCREW 4X16           | 4    |
| 7   | 65203BMBT000                               | METER VISION ASSY.           | 1    |



|              |              |                        |   |
|--------------|--------------|------------------------|---|
| 8            | B13010501405 | SCREW 5X14             | 1 |
| 9            | B05073001005 | TAPPING SCREW 3X10     | 4 |
| 10           | B05075001205 | TAPPING SCREW 5X12     | 2 |
| 11           | 40450BM0T000 | REAR VIEW MIRROR ASSY. | 1 |
| include 4、 5 |              |                        |   |

### FOOTREST/STAND

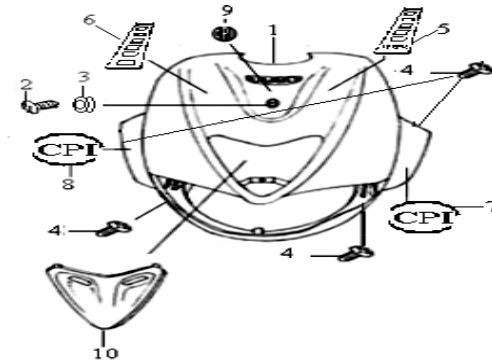
| NO. | CODE          | DESCRIPTION               | QTY. |
|-----|---------------|---------------------------|------|
| 1   | 58520BM0BT000 | MAIN STAND COMP.          | 1    |
| 2   | 58501B0DMA000 | PIN                       | 1    |
| 3   | B190101000A0  | O-RING 10X1.8             | 1    |
| 4   | 58508B0DGT000 | PLATE WASHER              | 1    |
| 5   | 63016B0DT000  | SPLIT PIN                 | 1    |
| 6   | 58502BM0BT000 | TENSION SPRING            | 1    |
| 7   | 65401BMBTB30  | FLOOR, BLACK              | 1    |
| 8   | 08011H60X000  | BOLT                      | 4    |
| 9   | 65801BMAT000  | SPRING NUT 4MM            | 4    |
| 10  | B05075001605  | TAPPING SCREW 4X16        | 4    |
| 11  | 58700BMBT000  | SIDE STAND COMP.          | 1    |
| 12  | 57005BMBT000  | BOLT, SIDE STAND MOUNTING | 1    |
| 13  | B04000800065  | U NUT 8MM                 | 1    |
| 14  | 57003BMBT000  | TENSION SPRING            | 1    |
| 15  | 57006BM0AT000 | HOOK                      | 1    |
| 16  | 65813BMBT000  | BATTERY COVER             | 1    |
| 17  | 65811BMBT000  | BATTERY DAMPER I          | 1    |
| 18  | 58507BMBT000  | CUSHION, MID STAND        | 1    |
| 19  | 65812BMBT000  | BATTERY DAMPER I          | 1    |
| 20  | 57004BMBT000  | TENSION SPRING            | 1    |
| 21  | B05075001605  | TAPPING SCREW 5X16        | 1    |
| 22  | 58512BM0BT000 | TENSION SPRING            | 1    |
| 23  | B07020000505  | WASHER                    | 4    |
| 24  | 65802BMAT000  | NUT                       | 2    |



|    |              |           |   |
|----|--------------|-----------|---|
| 25 | B01090601265 | BOLT 6X12 | 4 |
|----|--------------|-----------|---|

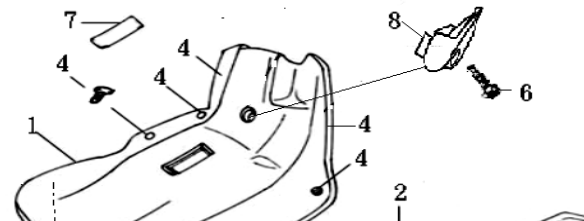
### FRONT COVER

| NO. | CODE          | DESCRIPTION                  | QTY. |
|-----|---------------|------------------------------|------|
| 1   | 65301BMBTB30  | LEG SHIELD, 1(BLACK/SILVER)  | 1    |
|     | 65301BMBTY50  | LEG SHIELD, 1(YELLOW/SILVER) |      |
|     | 65301BMBTR70  | LEG SHIELD, 1(RED/GRAY)      |      |
|     | 65301BMBTL90  | LEG SHIELD, 1(BLUE/GRAY)     |      |
| 2   | 65314BM0BT000 | SCREW 6X16                   | 1    |
| 3   | 65313BMBT000  | CUSHION, FR. COVER SCREW     | 1    |
| 4   | B05075001205  | TAPPING SCREW 4X16           | 4    |
| 5   | 05521BMBT001  | STICKER L., BLACK COVER      | 1    |
|     | 05521BMBT002  | STICKER L., YELLOW COVER     |      |
|     | 05521BMBT003  | STICKER L., RED COVER        |      |
|     | 05521BMBT004  | STICKER L., BLUE COVER       |      |
| 6   | 05522BMBT001  | STICKER R., BLACK COVER      | 1    |
|     | 05522BMBT002  | STICKER R., YELLOW COVER     |      |
|     | 05522BMBT003  | STICKER R., RED COVER        |      |
|     | 05522BMBT004  | STICKER R., BLUE COVER       |      |
| 7   | 05523BMBT001  | STICKER LEFT, DARK-GRAY      | 1    |
|     | 05523BMBT002  | STICKER LEFT, SLIVER-GRAY    |      |
| 8   | 05524BMBT001  | STICKER RIGHT, DARK-GRAY     | 1    |
|     | 05524BMBT002  | STICKER RIGHT, SLIVER-GRAY   |      |
| 9   | 05525BM0T000  | STICKER, C.P.I               | 1    |
| 10  | 65303BMBTB40  | COVER, 1 , BLACK             | 1    |

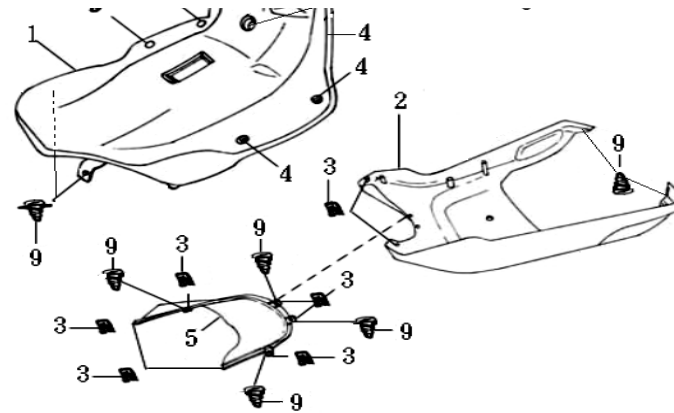


### LEG SHIELD

| NO. | CODE         | DESCRIPTION   | QTY. |
|-----|--------------|---------------|------|
| 1   | 65402BMBT000 | LEG SHIELD, 2 | 1    |

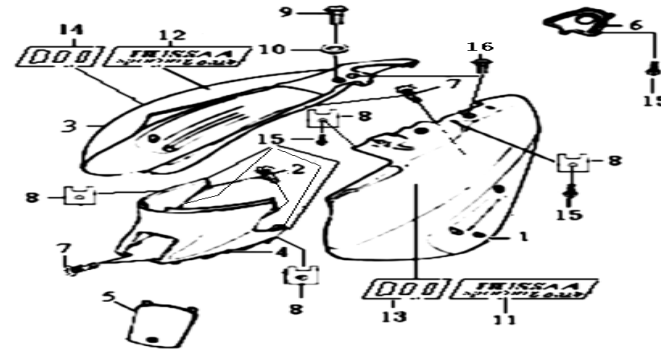


|   |               |                      |   |
|---|---------------|----------------------|---|
| 2 | 65406BMBTC20  | UNDER COVER (SILVER) | 1 |
|   | 65406BMBTH40  | UNDER COVER (GRAY)   | 1 |
| 3 | 65801BMAT000  | SPRING NUT 4MM       | 8 |
| 4 | B05075001205  | TAPPING SCREW 5X12   | 6 |
| 5 | 65407BMBT000  | INNER FENDER         | 1 |
| 6 | B01090603065  | BOLT6X30             | 1 |
| 7 | 65403BMBOT000 | INSPECT COVER        | 1 |
| 8 | 51011BMBT000  | HOOK, HELMET         | 1 |
| 9 | B05074001605  | TAPPING SCREW 4X16   | 8 |



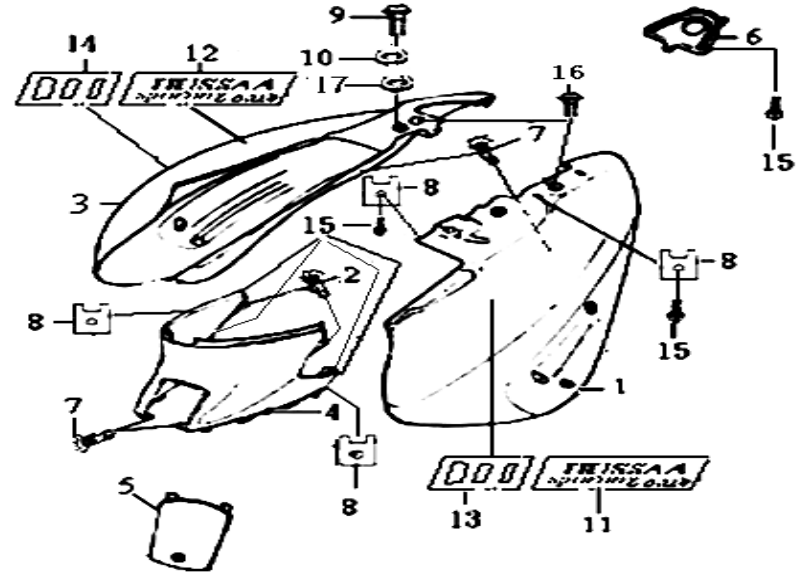
## SIDE COVER

| NO. | CODE                              | DESCRIPTION           | QTY. |
|-----|-----------------------------------|-----------------------|------|
| 1   | 65601BMBTB30                      | SIDE COVER,1 BLACK    | 1    |
|     | 65601BMBTY50                      | SIDE COVER, 1 YELLOW  | 1    |
|     | 65601BMBTR70                      | SIDE COVER, 1 RED     | 1    |
|     | 65601BMBTL90                      | SIDE COVER,1 BLUE     | 1    |
| 2   | B05074001205                      | TAPPING SCREW 4X12    | 2    |
| 3   | 65602BMBTB30                      | SIDE COVER, 2 BLACK   | 1    |
|     | 65602BMBTY50                      | SIDE COVER, 2 YELLOW  | 1    |
|     | 65602BMBTR70                      | SIDE COVER, 2 RED     | 1    |
|     | 65602BMBTL90                      | SIDE COVER, 2 BLUE    | 1    |
| 4   | 65605BMBT000                      | SIDE COVER, 3         | 1    |
| 5   | <del>6565619607</del> 65607BMBT00 | SIDE COVER, 4         | 1    |
| 6   | 65606BMBTB30                      | SIDE COVER, 5, BLACK  | 1    |
|     | 65606BMBTY50                      | SIDE COVER, 5, YELLOW | 1    |
|     | 65606BMBTR70                      | SIDE COVER, 5, RED    | 1    |
|     | 65606BMBTL90                      | SIDE COVER, 5, BLUE   | 1    |
| 7   | B05074001605 <del>4</del>         | TAPPING SCREW 4X16    | 4    |
| 8   | 65802BMAT000                      | SPRING NUT 5MM        | 4    |
| 9   | 08001BMBT000                      | SCREW 6X18            | 2    |
| 10  | 08021BMBT000                      | WASHER                | 2    |



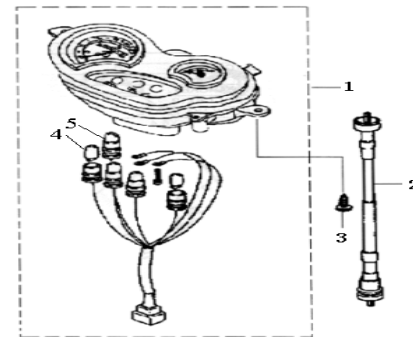
## SIDE COVER

| NO. | CODE         | DESCRIPTION                                 | QTY. |
|-----|--------------|---|------|
| 11  | 05511BMBT001 | STICKER, HUSSAR W/S, <u>L.</u>              | 1    |
|     | 05511BMBT002 | STICKER, HUSSAR W/B <u>L.</u>               | 1    |
|     | 05511BMBT003 | STICKER, HUSSAR W/B <u>L.</u>               | 1    |
|     | 05511BMBT004 | STICKER, HUSSAR W/B <u>L.</u> <b>ORANGE</b> | 1    |
| 12  | 05512BMBT001 | STICKER, HUSSAR W/S, R.                     | 1    |
|     | 05512BMBT002 | STICKER, HUSSAR W/B R.                      | 1    |
|     | 05512BMBT003 | STICKER, HUSSAR W/B R.                      | 1    |
|     | 05512BMBT004 | STICKER, HUSSAR W/B R.                      | 1    |
| 13  | 05513BMBT001 | STICKER, RED, L.                            | 1    |
|     | 05513BMBT002 | STICKER, BROWN, L.                          | 1    |
|     | 05513BMBT003 | STICKER, ORANGE, L.                         | 1    |
| 14  | 05514BMBT001 | STICKER, RED, R.                            | 1    |
|     | 05514BMBT002 | STICKER, BROWN, R.                          | 1    |
|     | 05514BMBT003 | STICKER, ORANGE, R.                         | 1    |
| 15  | B05075001205 | TAPPING SCREW 5X12                          | 7    |
| 16  | 65608BMBT000 | CAP, DECORATION                             | 2    |
| 17  | 65616BM0T000 | RUBBER WASHER                               | 2    |



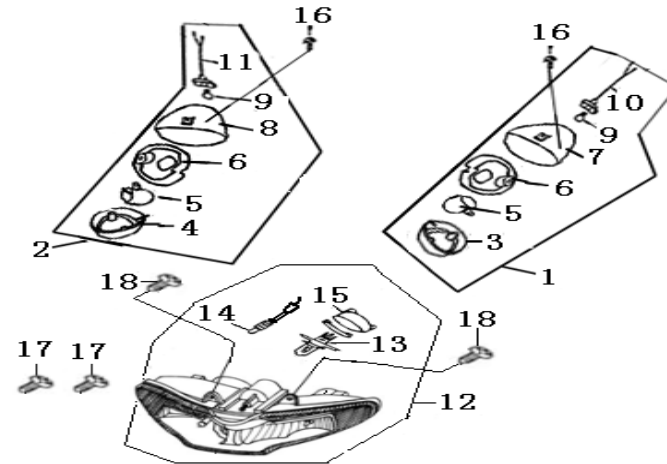
## METER

| NO. | CODE           | DESCRIPTION             | QTY. |
|-----|----------------|-------------------------|------|
| 1   | 70000BMBTHB0   | SPEEDOMETER ASSY.       | 1    |
| 2   | 72900BMBT000   | SPEEDOMETER CABLE ASSY. | 1    |
| 3   | B05074001205   | TAPPING SCREW 4X12      | 3    |
| 4   | 70001H70X000   | BULB ( 附1 )             | 2    |
| 5   | 70002 H70X 000 | BULB ( 附1 )             | 3    |



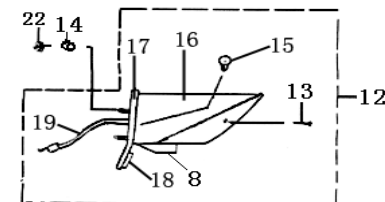
## FLASHER LIGHT/TAIL LIGHT

| NO.                                   | CODE          | DESCRIPTION                                 | QTY. |
|---------------------------------------|---------------|---|------|
| 1                                     | 81100BM0T000  | FLASHER LIGHT ASSY., 1(E MARK)              | 1    |
| include 3, 5/2, 6/2, 7, 9/2, 10, 16/2 |               |   |      |
| 2                                     | 81300BM0T000  | FLASHER LIGHT ASSY., 2(E MARK)              | 1    |
| include 4, 5/2, 6/2, 8, 9/2, 11, 16/2 |               |   |      |
| 3                                     | 81102BM0T000  | LIGHT COVER, L.                             | 1    |
| 4                                     | 81302BM0T000  | LIGHT COVER, R.                             | 1    |
| 5                                     | 81107BM0T000  | INNER COVER                                 | 2    |
| 6                                     | 81105BM0T000  | BOWL, REFLEX LIGHT                          | 2    |
| 7                                     | 81101BM0T000  | F. L. BULB BASE <del>BULB BASE-FL</del>     | 1    |
| 8                                     | 81301BM0T000  | F. R BULB BASE <del>BULB BASE- ,FR</del>    | 1    |
| 9                                     | 81501H70X000  | BULB, 12V/10W                               | 2    |
| 10                                    | 81110BM0T000  | WIRE ASSY. , F.L. FLASHER                   | 1    |
| 11                                    | 81310BM0T000  | WIRE ASSY. , F.R. FLASHER                   | 1    |
| 12                                    | 80000BMBT000  | HEAD LIGHT ASSY. (E MARK)                   | 1    |
| include 13, 14, 15, 17, 18            |               |   |      |
| 13                                    | 80002BM0T000  | BULB 1, HEAD LIGHT                          | 1    |
| 14                                    | 80023JL0T000  | BULB 2, HEADLIGHT                           | 1    |
| 15                                    | 80007BMBT000  | HEAD LIGHT BASE <del>SEAT, HEAD LIGHT</del> | 1    |
| 16                                    | B131405014054 | SCREW W/WASHER 5X14 <del>6</del>            | 2    |
| 17                                    | B05075001605  | TAPPING SCREW 5X16                          | 2    |
| 18                                    | B05075001205  | TAPPING SCREW 5X12                          | 2    |



## TAIL LIGHT

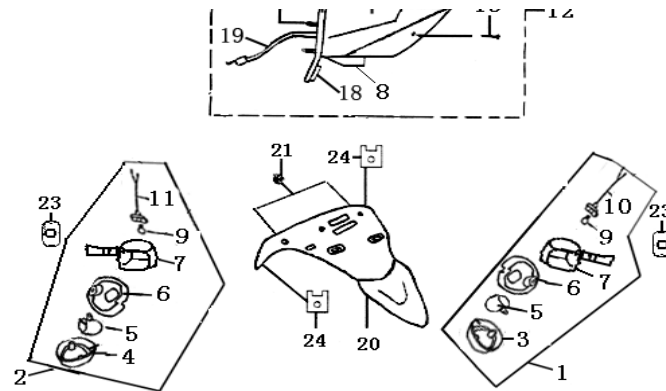
| NO.                                     | CODE         | DESCRIPTION                    | QTY. |
|---|--------------|--------------------------------|------|
| 1                                       | 81700BM0T000 | FLASHER LIGHT ASSY., 2(E MARK) | 1    |
| include 3, 5/2, 6/2, 7/2, 9/2, 10, 23/2 |              |                                |      |
| 2                                       | 81500BM0T000 | FLASHER LIGHT ASSY., 1(E MARK) | 1    |
| include 4, 5/2, 6/2, 7/2, 9/2, 11, 23/2 |              |                                |      |
| 3                                       | 81102BM0T000 | LIGHT COVER, L.                | 1    |



|    |              |                            |   |
|----|--------------|----------------------------|---|
| 4  | 81302BM0T000 | LIGHT COVER, R.            | 1 |
| 5  | 81107BM0T000 | INNER COVER                | 2 |
| 6  | 81105BM0T000 | BOWL, REFLEX LIGHT         | 2 |
| 7  | 81502BM0T000 | BULB BASE                  | 2 |
| 8  | 82503BM0T000 | LICENSE LIGHT SLICE        | 1 |
| 9  | 81501H70X000 | BULB, 12V/10W              | 2 |
| 10 | 81510BM0T000 | WIRE ASSY. , F. L. FLASHER | 1 |
| 11 | 81710BM0T000 | WIRE ASSY. , F. R. FLASHER | 1 |
| 12 | 82000BM0T000 | TAIL LIGHT ASSY. (E MARK)  | 1 |

include 8, 13, 14, 15, 16, 17, 18, 19, 22

|    |              |                           |   |
|----|--------------|---------------------------|---|
| 13 | B05074002005 | TAPPING SCREW 4X20        | 2 |
| 14 | 82011G00P000 | RUBBER WASHER             | 3 |
| 15 | 82005JL0T000 | BULB 12V 21/5W            | 1 |
| 16 | 82008BM0T000 | INDICATOR LENS            | 1 |
| 17 | 82003BM0T000 | TAIL LIGHT BASE           | 1 |
| 18 | 86502BM0T000 | RR . REFLECTOR ( E MARK ) | 1 |
| 19 | 82900BM0T000 | WIRE ASSY. , TAIL LIGHT   | 1 |
| 20 | 08202BM0T000 | LICENSE BRACKET           | 1 |
| 21 | B04061012554 | NUT10X1.25                | 2 |
| 22 | B04070600065 | FLANGE NUT 6MM            | 3 |
| 23 | 81702BM0T000 | FLASHER LIGHT CUSHION     | 2 |
| 24 | 65801BMAT000 | SPRING NUT 4MM            | 2 |



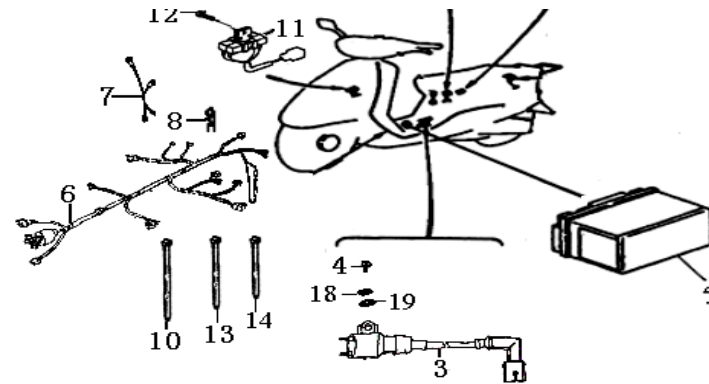
## ELECTRICAL EQUIPMENT I

| NO. | CODE         | DESCRIPTION         | QTY. |
|-----|--------------|---------------------|------|
| 1   | 97701B09F000 | C.D.I. UNIT COMP.   | 1    |
| 2   | B01090601665 | SCREW W/WASHER 6X16 | 1    |
| 3   | 96200BMAT000 | IGNITION COIL ASSY. | 1    |
| 4   | B02000502025 | SCREW 5X20          | 1    |
| 5   | 96100BM0T000 | BATTERY ASSY.       | 1    |
| 6   | 92000BMBT001 | WIRE HARNESS ASSY.  | 1    |





|    |                  |                     |   |
|----|------------------|---------------------|---|
| 7  | 96900BMBT000     | WIRE HARNESS        | 2 |
| 8  | 96800BMA0T000    | FUSE 7A             | 1 |
| 9  | 94000BMB0DT000   | STARTER RELAY COMP. | 1 |
| 10 | 9600132K00PBM0T0 | BAND 250MM          | 2 |
| 11 | 96600BMAT000     | RESISTOR COMP.      | 1 |
| 12 | B01090601265     | BOLT 6X12MM         | 1 |
| 13 | 9600324K00PBM0T  | BAND 200MM          | 3 |
| 14 | 9600243K00PBM0T0 | BAND 150MM          | 5 |
| 15 | B04000600055     | NUT 6MM             | 1 |
| 16 | B07000000605     | WASHER 6MM          | 1 |
| 17 | B07030000605     | WASHER 6MM          | 1 |
| 18 | B07000000505     | WASHER 5MM          | 1 |
| 19 | B07030000505     | WASHER 5MM          | 1 |

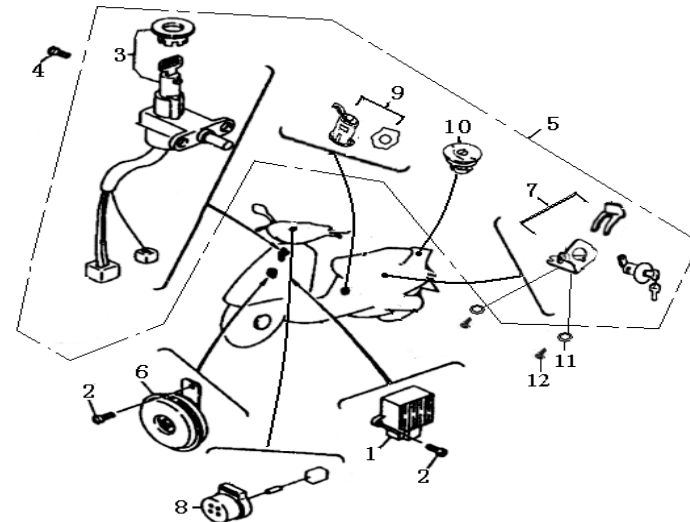


### ELECTRICAL EQUIPMENT

| NO. | CODE         | DESCRIPTION       | QTY. |
|-----|--------------|-------------------|------|
| 1   | 98801B09F000 | REGULATOR COMP.   | 1    |
| 2   | B01090601265 | BOLT 6X12         | 2    |
| 3   | 88100BMBT000 | MAIN SWITCH ASSY. | 1    |
| 4   | 08002BMBT000 | BOLT 6X1642       | 2    |
| 5   | 88000BMBT000 | LOCK ASSY.        | 1    |

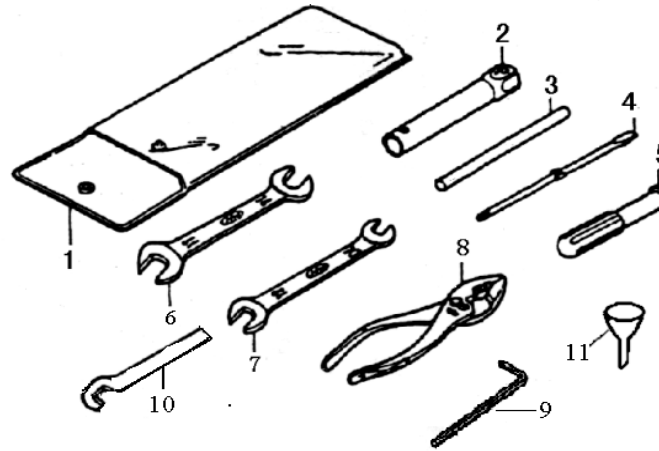
include 3, 7, 9, 10, 11, 12

|    |               |                         |   |
|----|---------------|-------------------------|---|
| 6  | 95000BMD0T000 | HORN (E MARK)           | 1 |
| 7  | 88800BMBT000  | LOCK ASSY., SEAT        | 1 |
| 8  | 96500BM0T000  | FLASH&AUDIO PILOT COMP. | 1 |
| 9  | 88500BMBT000  | LOCK, SIDE COVER 3      | 1 |
| 10 | 88400BMBT000  | LOCK ASSY., FUEL TANK   | 1 |
| 11 | B07030000505  | WASHER 5                | 2 |
| 12 | B05074001005  | TAPPING SCREW 4X10      | 2 |



### TOOL KIT

| NO. | CODE          | DESCRIPTION                | QTY. |
|-----|---------------|----------------------------|------|
| 1   | 02110BMB0T000 | BAG, TOOL                  | 1    |
| 2   | 02102BMB0T000 | SOCKET, SPARK PLUG         | 1    |
| 3   | 02101BMB0T000 | HANDLE , SPARK PLUG SOCKET | 1    |
| 4   | 02103BMB0T000 | DRIVER, SCREW              | 1    |
| 5   | 02104BMB0T000 | HANDLE                     | 1    |
| 6   | B200113-1600  | SPANNER,13X16              | 1    |
| 7   | B200110-1200  | SPANNER,10X12              | 1    |
| 8   | 02112BMBT000  | PLIERS                     | 1    |
| 9   | B20020600000  | SOCKET SPANNER             | 1    |
| 10  | 02115BM0T000  | ADJUSTER, RR. ABSORBER     | 1    |
| 11  | 02114BM0T000  | FILLER, OIL TANK           | 1    |



### ENGINE ATTACHMENT

| NO. | CODE         | DESCRIPTION    | QTY. |
|-----|--------------|----------------|------|
| 1   | 08351BM0T000 | STARTING SHAFT | 1    |
| 2   | B02050602564 | SCREW 6X25     | 1    |
| 3   |              | ENGINE         | 1    |

