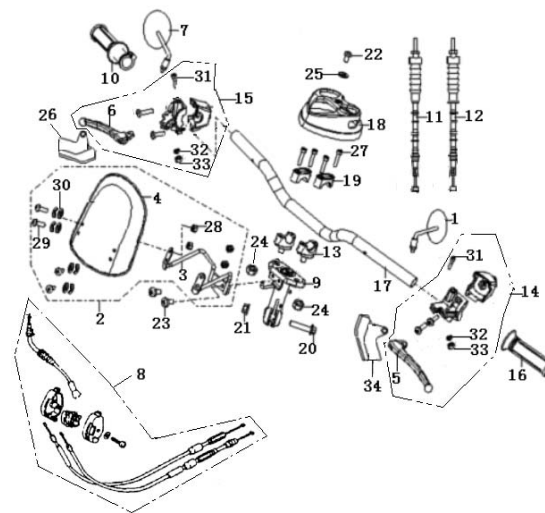


JCK(Q07-01)-QJ50QT-5-1F

操纵系总成I

CONTROL ASSY.

序号	代码	物料编码		数量	备注
NO.	CODE	material coding		QTY.	
1	40450B130003	40450B130003	MIRKOR ASSY, REAK VIEW, LH F7 000501	1	
2	65500B50T000	65500B130000	COWLING ASSY	1	
3	65510B50T000	03320B130000	SKELETON ASSY, SUPPORT	1	
4	65501B50T000	65501B130000	COWLING	1	
5	40002B50T000	40002B130000	LEVER, L	1	
6	40014B50T000	40014B130000	LEVER, R	1	
7	40480B130003	40480B130003	MIRKOR ASSY, REAK VIEW, RH F7 000501	1	
8	40300B50T001	40300B130000	CABLE ASSY., THROTTLE	1	
9	40180B50T000	40180B130000	MOUNTING SEAT, HANLEBAR	1	
10	40210B50T000	40210B130000	GRIP ASSY, RH(BLACK)	1	
11	40250B50T000	40250B130000	CABLE ASSY., FRONT BRAKE	1	
12	40270B50T000	40270B130001	CABLE ASSY., REAR BRAKE	1	
13	43013B50T000	43013B130000	BRACKET, HANDLEBAR, LOWER	2	
14	40500B50T001	40500B130001	SWITCH ASSY., LH	1	
15	40600B50T002	40600B130003	SWITCH ASSY., RH	1	
16	40001B50T000	40001B130000	GRIP, LH(BLACK)	1	
17	40101B50T000	40101B130001	HANLEBAR	1	
18	43005B50T000	57136B130000	COVER, MOUNTING SEAT	1	
19	43014B50T000	43014B130000	BRACKET, HANDLEBAR, UPPER	2	
20	B01591004565	B01591004565	BOLT 10×1.25×45MM	1	



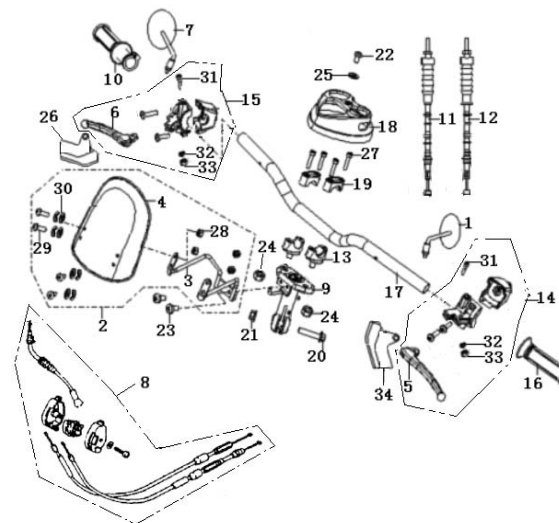
右把子开大取
消大打开关

标记 处数 更改文件号 签字 日期

操纵系总成I

CONTROL ASSY.

序号	代码	物料编码		数量	备注
NO.	CODE	materiel coding		QTY.	
21	B04171012555	B04171012555	NUT 10×1.25MM	1	
22	B02000501225	B02000501225	SCREW 5×12MM	1	
23	B01070601265	B01070601265	SCREW 6×12MM	2	
24	B04171012555	B04171012555	NUT 10×1.25MM	2	
25	B07030000505	B07030000505	WASHER 5	1	
26	40008B0ET000	40008B020000	JACKET, BRAKE CABLE	1	
27	B01070603064	B01070603064	BOLT 6×30MM	4	
28	B04070500055	B04070500055	NUT 5MM	4	
29	B02060501425	B02060501425	SCREW 5×14MM	4	
30	65509B50T000	65509B130000	RUBBER WASHER	4	
31	40015B50T000	40015B130000	SCREW	2	
32	B07000000505	B07000000505	WASHER 5	2	
33	B04000500063	B04000500063	NUT 5MM	2	
34	40007B0ET000	40007B020000	JACKET, LEVER L	1	
	45300B130000	45300B130000	SWITCH, FRONT BRAKE	1	

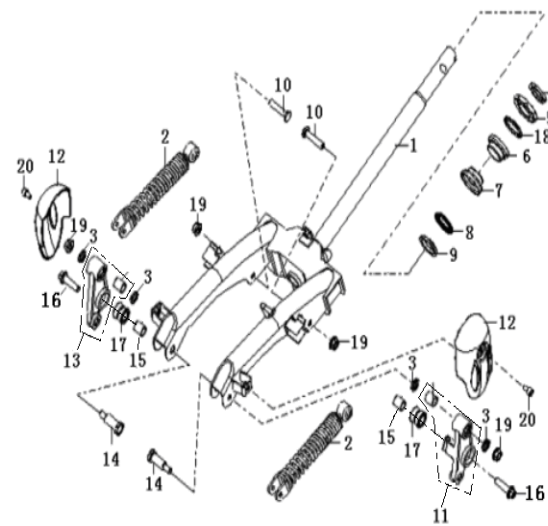


标记 处数 更改文件号 签字 日期

前叉器总成

FRONT FORK ASSY.

序号	代码	物料编码		数量	备注
NO.	CODE	materiel coding		QTY.	
1	43100B50T000	43100B130000	LOWER BRACKET ASSY.	1	
2	43200B50T000	43200B130000	FRONT CUSHION ASSY	2	
3	43910B50T000	43910B130000	SEAL ASSY	4	
4	43017J0ET000	43017T020000	NUT, STEERING STEM	1	
5	43001B50T000	43001B130000	RACE, UPPER, UPPER	1	
6	43002B50T000	43002B130000	RACE, LOWER, UPPER	1	
7	43003B50T000	43003B130000	RACE, UPPER, LOWER	1	
8	43131B50T000	43131B130000	RETAINER, BEARING	1	
9	43004B50T000	43004B130000	RACE, LOWER, LOWER	1	
10	08011B50T000	08011B130000	BOLT	2	
11	43950B50T000	43950B130000	LEVER, LH. FRONT FORK	1	
12	43012B50T000	47760B500000	DECORATION PLATE	2	
13	43900B50T000	43900B130000	LEVER, RH. FRONT FORK	1	
14	08012B50T000	08012B130000	BOLT	2	
15	43901B50T000	43901B130000	BUSH	2	
16	08013B50T000	08013B130000	BOLT	2	
17	43904B50T000	43904B130000	WASHER, RUBBER	2	
18	B06010110000	B06010110000	BALL, STEEL	25	
19	B04070800055	B04070800055	NUT 8MM	4	
20	B01090601664	B01090601664	BOLT 6X16MM	2	

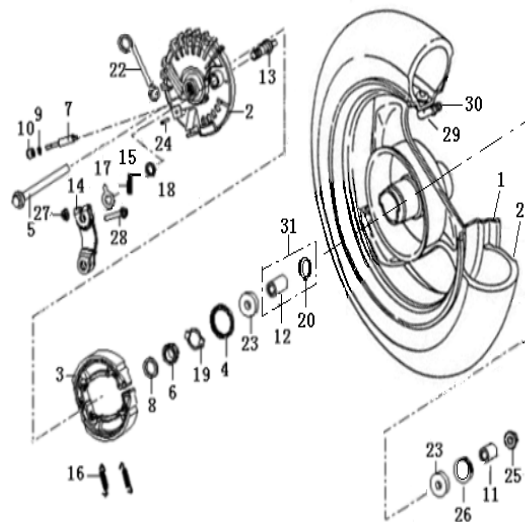


标记 处数 更改文件号 签字 日期

前轮总成

FRONT WHEEL ASSY.

序号	代码	物料编码		数量	备注
NO.	CODE	materiel coding		QTY.	
1	44100B130001	44101B130000	RIM, FRONT WHEEL	1	
2	44400B0AT000	44400B070000	PANEL ASSY.	1	
3	44500B0AT000	54200B910000	BRAKE SHOE	2	
4	44300B0AT000	44300B070000	DUST SEAL	1	
5	44004B50T000	44004B130000	AXLE, FRONT WHEEL	1	
6	44201B0AT000	44201B040000	GEAR, SPEEDOMETER	1	
7	44202B0AT000	44202B040000	PINION, SPEEDOMETER	1	
8	44203B0AT000	44203B040000	WASHER, GEAR	1	
9	44204B0AT000	44204B040000	WASHER, PINION	1	
10	44205B0AT000	44205B040000	BUSH, PINION	1	
11	44016B50T000	44016B130000	SPACER, RH.	1	
12	44601B0AT000	44601B040000	BUSH, MID	1	
13	44003B0AT000	44003B040000	CAMSHAFT, FR. BRAKE	1	
14	44007B0AT000	44007B070000	LEVER, FR. BRAKE	1	
15	44008B0AT000	44008B040000	SPRING, BRAKE RETURN	1	
16	44001B0AT000	44001B040000	SPRING, BRAKE SHOE	2	
17	44002B0AT000	44002B070000	INDICATOR, WEAR	1	
18	44015B0AT000	44015B040000	SEAL, CAMSHAFT	1	
19	44023B0AT000	44023B040000	PLATE, DRIVING	1	
20	44602B0AT000	44602B040000	FLANGE SPACER	1	



标记 处数

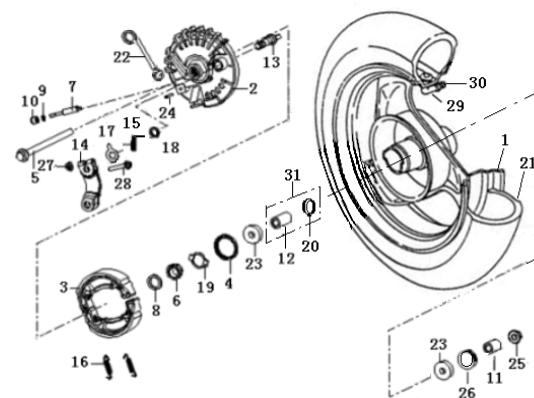
更改文件号 签字

日期

前轮总成

FRONT WHEEL ASSY.

序号	代码	物料编码		数量	备注
NO.	CODE	materiel coding		QTY.	
21	B140104F10AA	B140104F1011	TIRE (90/90-10)	1	
22	44019B50T000	44019B130000	CLIP	1	
23	B12046020000	B12046020000	BEARING	2	
24	B02020502025	B02020502025	SCREW 5X20MM	1	
25	B04171012555	B04171012555	NUT 10X1.25MM	1	
26	44300B50T000	44300B130000	OIL SEAL	1	
27	B04170600055	B04170600055	NUT 6MM	1	
28	B01010603525	B01010603525	BOLT 6X35MM	1	
29	B1403Z201100	B1403Z201120	RIM , VALVE	1	
30	B1404Z2011C0	B1404Z2011C0	CAP, VALVE	1	
31	44600B0AT000	44600B040000	SPACER ASSY,FR.WHEEL	1	

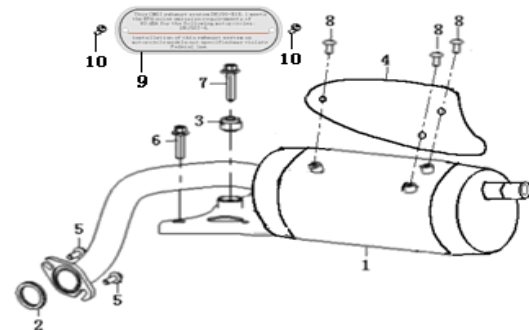


标记 处数 更改文件号 签字 日期

消音器

MUFFLER

序号	代码	物料编码		数量	备注
NO.	CODE	materiel coding		QTY.	
1	47100B0DT001	47100B130003	MUFFLER	1	
2	47800B0DT000	47800B070000	GASKET,EXHAUST PIPE	1	
3	47740B0ET000	47740B020000	BUSH ASSY	1	
4	47760B0CT000	47760B500000	COVER,MUFFLER	1	
5	B01070601665	B01070601665	BOLT 6X16MM	2	
6	B01070802065	B01070802065	BOLT 8X20MM	1	
7	B01070803065	B01070803065	BOLT 8X30MM	1	
8	B01070600865	B01070600865	BOLT 6X8MM	3	
9	05551B130001	05551B130000	STIKER .MUFFLER	1	
10	B100432007P0	B100432007P0	RIVET3.2X7	2	

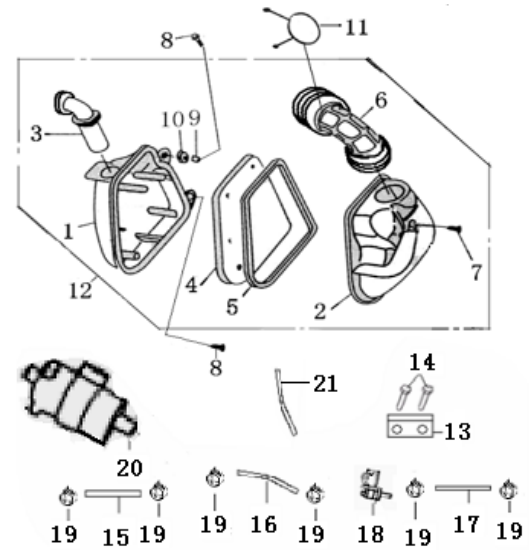


标记 处数 更改文件号 签字 日期

空滤器总成

AIR CLEANER ASSY.

序号	代码	物料编码		数量	备注
NO.	CODE	materiel coding		QTY.	
1	49101B0AT000	49101B040000	CASE, AIR CLEANER	1	
2	49001B0AT000	49001B040000	COVER, AIR CLEANER	1	
3	49002B0AT000	49002B130001	GUIDE PIPE	1	
4	49200B0AT000	49200B040000	FILTER	1	
5	49013B0AT000	49013B040000	SEAL GASKET	1	
6	49005B0AT000	49005B040000	CONNECTING PIPE	1	
7	B05075002505	B05075002505	TAPPING SCREW	3	
8	B13140602005	B13140602005	SCREW 6×20MM	2	
9	49004B0AT000	49004B040000	BUSH	2	
10	49022B0AT000	49022B040000	GROMMET	2	
11	49016F0BT000	49016F0BT000	CLIP φ42.5	1	
12	49000B0AT000	49100B130000	AIR CLEANER ASSY.	1	
13	57051B2GT000	57051B920000	PLATE, ONE WAY VALVE	1	
14	B0109061265	B0109061265	SCREW 6×12MM	2	
15	49853B50T000	49853B130000	HOSE II 85MM	1	
16	49852B50T000	49852B130000	HOSE I 400MM	1	
17	49851B50T000	49851B130000	HOSE 600MM	1	
18	49840B50T000	49840B130000	ONE WAY VALVE II	1	
19	49805BMBT000	49805B920000	SPRING II, LOCK φ17.5	6	
20	49870G00S000	49870W020000	AIR CLEANER, SMALL	1	
21	96001B20T000	96001B030000	BINDING BAND	2	

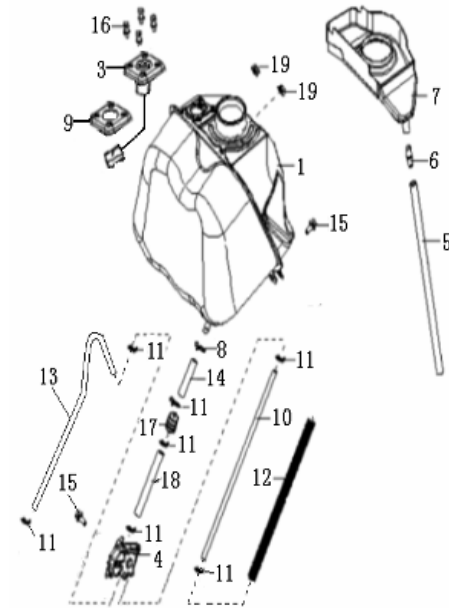


标记 处数 更改文件号 签字 日期

油箱总成

FUEL TANK ASSY.

序号	代码	物料编码		数量	备注
NO.	CODE	materiel coding		QTY.	
1	50100B50T001	50100B130001	FUEL TANK COMP.	1	
3	50800B50T000	50800B130000	GAUGE ASSY, FUEL LEVEL	1	
4	50320B50T000	50320B130000	SHUTOFF ASSY., FUEL TANK	1	
5	50012B50T000	50012B130000	PIPE, WATER 7×11×486	1	
6	50013B50T000	50013B130000	CONNECT PIPE	1	
7	50011B50T000	50011B130000	CUSHION, ANTI-WATER	1	
8	B17010090003	B17010090003	CLIP φ9	1	
9	50004B50T000	50004B130000	RUBBER JOINT,. GAUGE	1	
10	50301B920001	50301B920001	FUEL HOSE1, φ5×10×250	1	
11	B17010090003	B17010090003	CLIP 8	6	
12	50324B50T000	50324B130000	SPRING, AIR HOSE	1	
13	B16010422801	B16010422801	FUEL HOSE φ4X2X280	1	
14	B16010520601	B16010520601	FUEL HOSE φ5×10×60	1	
15	B01090601665	B01090601665	BOLT 6×16MM	2	
16	B13140501405	B13140501405	BOLT ASSY. 5×14MM	4	
17	50340B50T000	50340B130000	FILTER, FUEL	1	
18	50306K310000	50306K310000	FUEL HOSE φ5×10×115	1	
19	B04070600055	B04070600055	NUT	2	

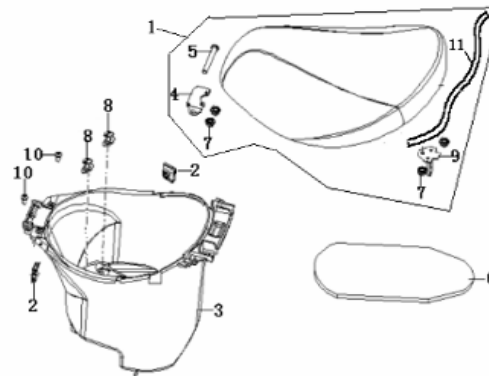


标记 处数 更改文件号 签字 日期

座垫总成

SEAT ASSY.

序号	代码	物料编码		数量	备注
NO.	CODE	materiel coding		QTY.	
1	51100B13000C	51100B13000C	SEAT COMP.	1	
1	51100B50T000	51100B13000D	SEAT COMP.	1	
2	65803J0ET000	65803T020000	NUT ASSY. 6MM	2	
3	52210B130001	52210B130001	LUGGAGE BOX	1	
4	51083B50T000	51083B130000	PLATE, CONNECTING	1	
5	51001B50T000	51001B130000	PIN, FIXING	1	
6	51006B50T000	51006B130000	COVER, LOWER	1	
7	B04070600053	B04070600053	NUT 6MM	3	
8	B13060601605	B13060601605	BOLT ASSY. 6×16MM	2	
9	51070B50T000	51070B130000	BRACKET COMP.	1	
10	B05004801605	B05004801605	SCREW 4.8×16MM	2	
11	51490B50T001	51490B130001	AIRPROOF STRIP	1	

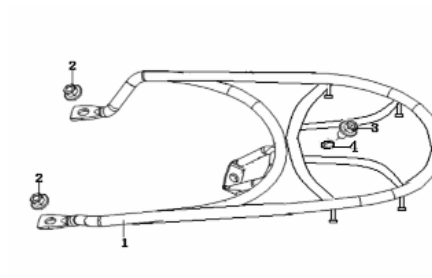


标记 处数 更改文件号 签字 日期

货架总成

CARRIER ASSY.

序号	代码	物料编码		数量	备注
NO.	CODE	material coding		QTY.	
1	52100B50T001	52100B130000	BODY, REAR CARRIER.	1	
2	B04070600055	B04070600055	NUT 6MM	2	
3	B01070801664	B01070801664	BOLT 8×16MM	1	
4	B07030000804	B07030000804	WASHER 8MM	1	

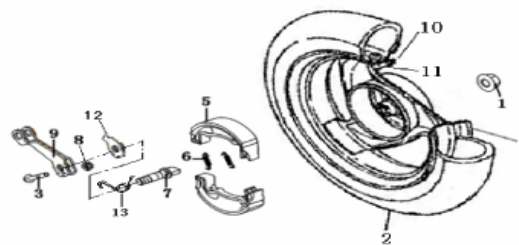


标记 处数 更改文件号 签字 日期

后轮总成

REAR WHEEL ASSY.

序号	代码	物料编码		数量	备注
NO.	CODE	materiel coding		QTY.	
1	B04171415054	B04171415054	NUT 14×1.5MM	1	
2	B140104F10AA	B140104F1011□	TIRE (90/90-10)	1	
3	B01020603265	B01020603265	BOLT 6×32MM	1	
4	54100B130001	54100B130000	RIM, REAR WHEEL	1	
5	44500B0AT000	54200B910000	BRAKE SHOE	2	
6	44001B0AT000	44001B040000	SPRING, BRAKE SHOE	2	
7	54003B0AT000	54003B070000	CAMSHAFT, RR.. BRAKE	1	
8	B04170600055	B04170600055	NUT 6MM	1	
9	54007B0AT000	54007B070000	LEVER, RR. BRAKE	1	
10	B1404Z2011C0	B1404Z2011C0	CAP , VALVE	1	
11	B1403Z201100	B1403Z201120	RIM , VALVE	1	
12	54002B0AT000	54002B040000	INDICATOR WEAR	1	
13	54008B50T000	54008B130000	TENSION SPRING	1	

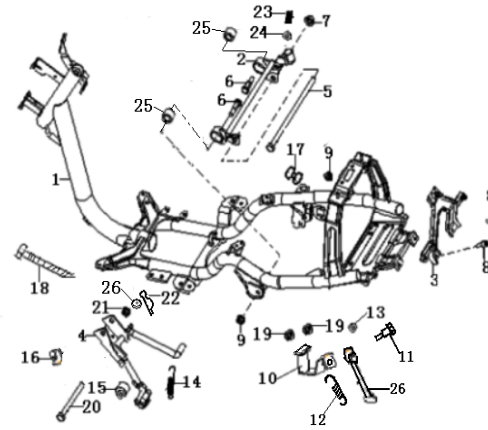


标记 处数 更改文件号 签字 日期

车架总成

FRAME ASSY.

序号	代码	物料编码		数量	备注
NO.	CODE	materiel coding		QTY.	
1	57100B50T003	57100B130003	FRAME BODY ASSY.	1	
2	58300B50T000	58320B130000	BRACKET, ENGINE	1	
3	57760B50T000	57760B130000	BRACKET ASSY, REAR CARRIER	1	
4	58520B0DT000	58520B070010	MAIN STAND ASSY	1	
5	58303B50T000	53001B130000	SHAFT, ENGINE BRACKET	1	
6	58301B50T000	58301B130000	MOUNTING BOLT, BRACKET	2	
7	B04171212554	B04171212554	LOCK NUT M12×1.25	1	
8	B01090601664	B01090601664	BOLT 6×16MM	2	
9	B04171012555	B04171012555	NUT	2	
10	58030B50T000	58030B130000	SIDE STAND SEAT.	1	
11	57005B50T000	57005B920000	BOLT	1	
12	57003B50T000	57003B130000	RETURN SPRING	1	
13	58700B50T000	58700B130020	SIDE STAND ASSY.	1	
14	58502B50T000	58502B130000	SPRING, MAIN STAND	1	
15	58507B50T000	58507B130000	ABSORBER PLATE, MAIN STAND	1	
16	40022B0DT000	40022B070000	CLIP	1	
17	57014B50T000	57014B070000	ABSORBER WASHER	1	
18	96001B50T000	96001B130000	CLIP 250	3	
19	B01090802065	B01090802065	BOLT 6×20MM	2	
20	58501BJ0T000	58501B070001	AXLE, MAIN STAND	1	

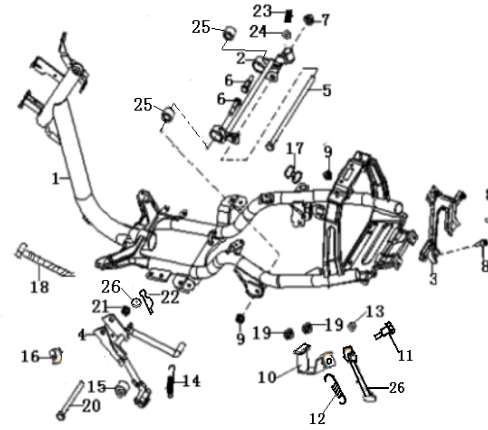


标记 处数 更改文件号 签字 日期

车架总成

FRAME ASSY.

序号	代码	物料编码		数量	备注
NO.	CODE	materiel coding		QTY.	
21	58508B0DT000	58508B070000	WASHER	1	
22	B09002502012	B09002502012	SPLIT PIN 2.5×20	1	
23	58304B50T000	58304B130000	SPRING	1	
24	58302B50T000	58302B130000	DAMPER	1	
25	58340B50T000	58340B130000	BUFFER WASHER	2	
26	B07020001005	B07020001005	WASHER 8MM	1	

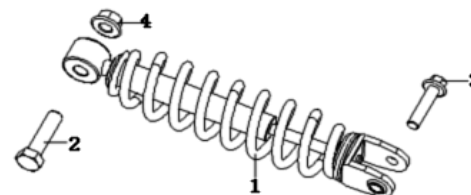


标记 处数 更改文件号 签字 日期

后减震总成

REAR SHOCK ABSORBER ASSY.

序号	代码	物料编码		数量	备注
NO.	CODE	material coding		QTY.	
1	63000B50T000	63800B130000	REAR CUSHION COMP.	1	
2	08014J0ET000	08014T020000	BOLT 10×1.25×40MM	1	
3	B01070803265	B01070803265	BOLT 8×32MM	1	
4	B04071012555	B04071012555	NUT 10×1.25MM	1	



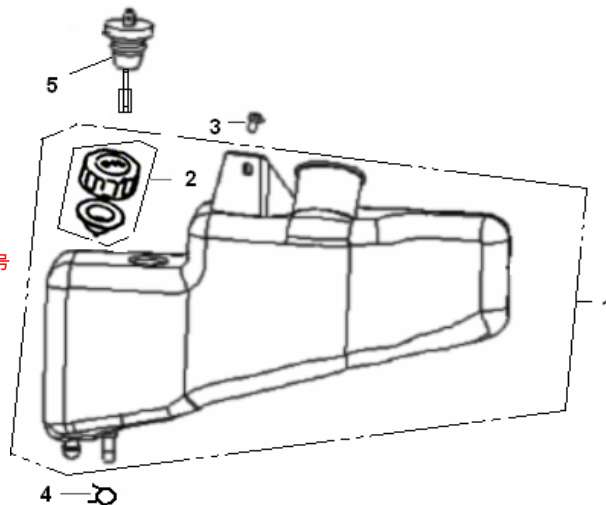
标记 处数 更改文件号 签字 日期

机油箱总成

OIL TANK ASSY.

序号	代码	物料编码		数量	备注
NO.	CODE	material coding		QTY.	
1	64001B50T000	64001B130000	CASE, OIL TANK	1	
2	64090GOMP000	64090G030000	Cap assy., oil tank	1	
3	B01090601665	B01090601665	BOLT 6×16MM	1	
4	50307J00P000	50307J000000	CLIP 8	1	
5	64100B50T000	64100B130000	GAUGE,OIL LEVEL	1	

注册除原序号6料号64050GOMP000实际此零件为滤网包含在滑油箱壳体中，不单供，且序号1实际不包括序号



标记 处数

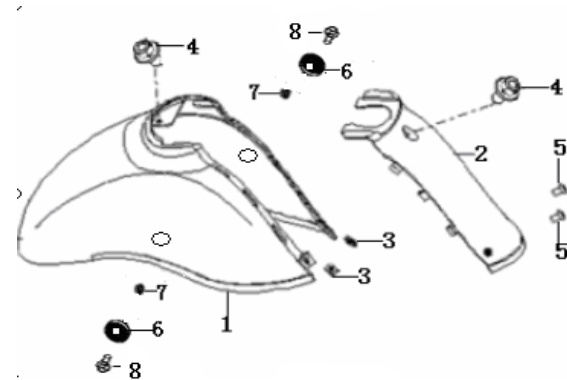
更改文件号 签字

日期

前挡泥板总成

FRONT FENDER ASSY.

序号	代码	物料编码		数量	备注
NO.	CODE	materiel coding		QTY.	
1	65101B50TBH0	65101B13BH00	FRONT FENDER,FR.BLACK	1	
1	65101B50TLT0	65101B13LT00	FRONT FENDER,FR.BLUE	1	
1	65101B50TGB0	65101B13GB00	FRONT FENDER,FR.GREEN	1	
1	65101B50TRR0	65101B13RR00	FRONT FENDER,FR.WINE RED RR	1	
1	65101B50TTV0	65101B13TV00	FRONT FENDER,FR.PINK TV	1	
2	65106B50TBH0	65106B13BH00	FRONT FENDER,RR.BLACK	1	
2	65106B50TLT0	65106B13LT00	FRONT FENDER,RR.BLUE	1	
2	65106B50TGB0	65106B13GB00	FRONT FENDER,RR.GREEN	1	
2	65106B50TRR0	65106B13RR00	FRONT FENDER,RR.WINE RED RR	1	
2	65106B50TTV0	65106B13TV00	FRONT FENDER,RR.PINK TV	1	
3	65801J0ET000	65801T020000	CLIP, SCREW 4MM	2	
4	B01090601665	B01090601665	BOLT 6×16MM	2	
5	B05074001205	B05074001205	SCREW GB845	2	
6	86300B0DT001	86300B070001	SIDE REFLEX REFLECTOR	2	
7	B04070600054	B04070600054	NUT 6MM	2	
8	B02060602024	B02060602024	SCREW 6×20mm	2	



标记 处数

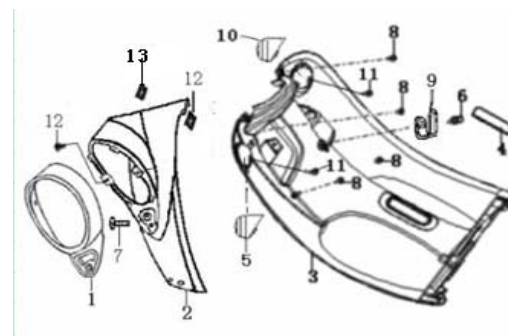
更改文件号 签字

日期

前大罩

FRONT COVER

序号	代码	物料编码		数量	备注
NO.	CODE	materiel coding		QTY.	
1	80002B130000	80002B130000	COVER, HEADLAMP	1	
2	65301B50TBH0	65301B13BH00	COVER, FRONT BLACK	1	
2	65301B50TLT0	65301B13LT00	COVER, FRONT BLUE	1	
2	65301B50TGB0	65301B13GB00	COVER, FRONT GREEN	1	
2	65301B50TRR0	65301B13RR00	COVER, FRONT WINE RED RR	1	
2	65301B50TTV0	65301B13TV00	COVER, FRONT PINK TV	1	
3	65302B13BH00	65302B13BH00	COVER, LOWER BLACK	1	
3	65302B13LT00	65302B13LT00	COVER, LOWER BLUE	1	
3	65302B13GB00	65302B13GB00	COVER, LOWER GREEN	1	
3	65302B13RR00	65302B13RR00	COVER, LOWER WINE RED RR	1	
3	65302B13TV00	65302B13TV00	COVER, LOWER PINK TV	1	
4	65403B50TBH0	65403B130BH0	CAP, FRAME NUMBER BLACK	1	
4	65403B50TLT0	65403B130LT0	CAP, FRAME NUMBER BLUE	1	
4	65403B50TGB0	65403B130GB0	CAP, FRAME NUMBER GREEN	1	
4	65403B50TRR0	65403B130RR0	CAP, FRAME NUMBER WINE RED RR	1	
4	65403B50TTV0	65403B130TV0	CAP, FRAME NUMBER PINK TV	1	
5	81101B50T000	81101B130000	DECORATION LIGHT L(NO	1	
6	B0206060252A	B0206060252A	SCREW 6X25MM	1	
7	B0206060252A	B0206060252A	SCREW 6X25MM	1	
8	B05004801205	B05004801205	SELF-TAPPING SCREW	4	
9	03310B50T000	03310B130000	HOOK, HELMET	1	
10	81301B50T000	81301B130000	DECORATION LIGHT R(NO	1	
11	B05074001205	B05074001205	SELF-TAPPING SCREW 4X12	2	
12	B02000501265	B02000501265	SCREW 5X12MM	2	
13	B0703000505	B0703000505	WASHER 5MM	2	

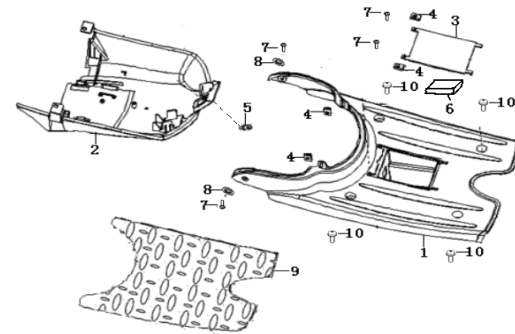


标记 处数 更改文件号 签字 日期

脚踏板总成

LEG SHIELD ASSY.

序号	代码	物料编码		数量	备注
NO.	CODE	materiel coding		QTY.	
1	65401B130020	65401B130020	FOOTREST(BLACK)	1	
2	65406B50T000	65406B130000	COVER, LOWER	1	
3	65411B50T000	65411B130000	CAP, BATTERY	1	
4	65801J0ET000	65801T020000	NUT 4MM	4	
5	B13060601205	B13060601205	SCREW W/WASHER 6X12MM	1	
6	65811B50T000	65811B130000	BATTERY DAMPER	1	
7	B05004201605	B05004201605	SCREW ST4.2X16	4	
8	B07020000505	B07020000505	WASHER 5MM	2	
9	65413B50T000	65413B130000	CUSHION, FOOTREST(BLACK)	1	
10	B13060602005	B13060602005	SCREW W/WASHER 6X20MM	4	

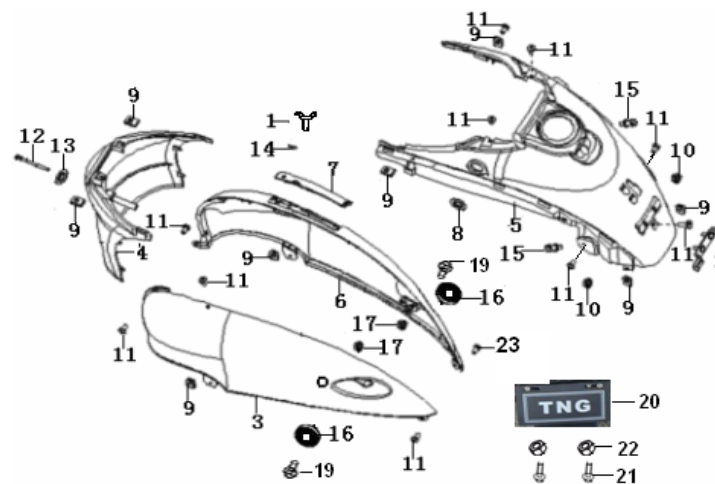


标记 处数 更改文件号 签字 日期

护板总成

FRAME COVER ASSY.

序号	代码	物料编码	数量	备注
NO.	CODE	materiel coding	QTY.	
1	08002B50T001	08002B130001	1	
2	08250B50T001	08250B130001	1	
3	65601B50TBH1	65601B130BH1	1	
3	65601B50TLT1	65601B130LT1	1	
3	65601B50TGB1	65601B130GB1	1	
3	65601B50TRR1	65601B130RR1	1	
3	65601B50TTV1	65601B130TV1	1	
4	65605B50T000	65605B130000	1	
5	65606B50TWG0	65606B13WG00	1	
6	65602B50TLT1	65602B130LT1	1	
6	65602B50TBH1	65602B130BH1	1	
6	65602B50TGB1	65602B130GB1	1	
6	65602B50TRR1	65602B130RR1	1	
6	65602B50TTV1	65602B130TV1	1	
7	65609B50TBH0	65609B13BH00	1	
7	65609B50TLT0	65609B13LT00	1	
7	65609B50TGB0	65609B13GB00	1	
7	65609B50TRR0	65609B13RR00	1	
7	65609B50TTV0	65609B13TV00	1	
8	05201B50T000	05201B130000	1	
9	65801J0ET000	65801T020000	8	
10	B04070600054	B04070600054	2	
11	B05004201605	B05074201605	8	Y9ZJ547
12	B02000607025	B02000607025	1	
13	B07030000605	B07030000605	1	
14	B090303012A4	B090303012A4	1	
15	B13060601605	B13060601605	2	
16	86300B50T001	86300B130001	2	
17	B04070600054	B04070600054	2	
18	B05004801605	B05004801605	2	
19	B02060602024	B02060602024	2	
20	08256B130000	08256B130000	1	
21	B01090601664	B01090601664	2	
22	B04070600054	B04070600054	2	
23	B05074201305	B05074201305	1	1只用于安装 灯卡上的一颗

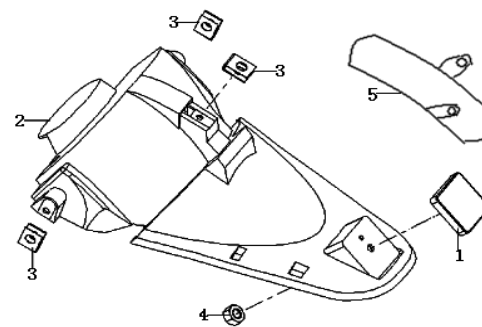


标记 处数 更改文件号 签字 日期

后挡泥板总成

REAR FENDER ASSY.

序号	代码	物料编码		数量	备注
NO.	CODE	material coding		QTY.	
1	86500B50T001	86500J000000	REAR REFLECTOR ASSY.	1	
2	65701B50T000	65701B130000	REAR FENDER,	1	
3	65801J0ET000	65801T020000	NUT 4MM	3	
4	B04070500055	B04070500055	NUT 5MM	1	
5	65702B50T000	65702B130000	REAR FENDER,	1	



标记 处数 更改文件号 签字 日期

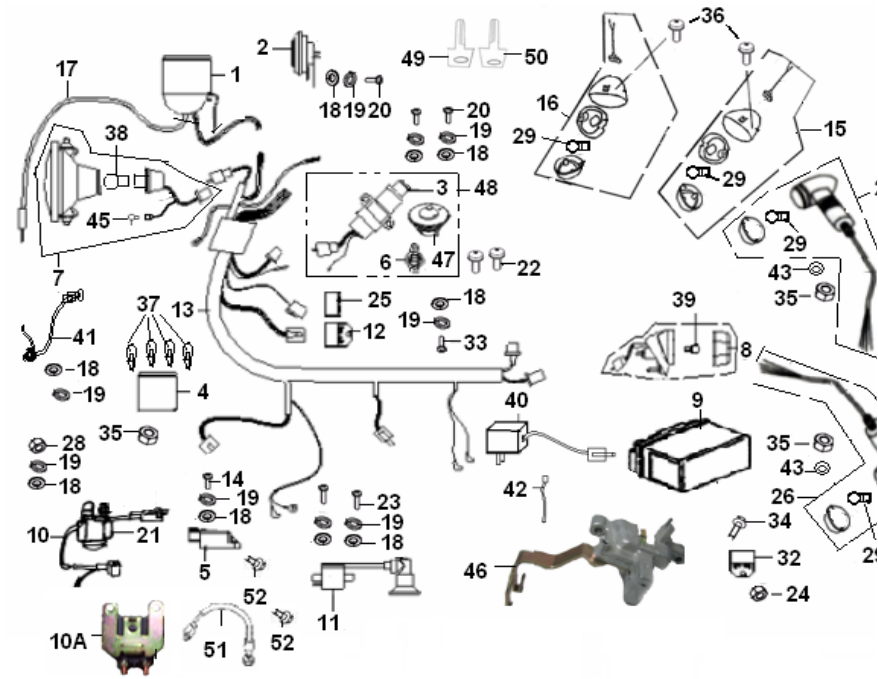
电器I

ELECTRIC I

序号	代码	物料编码		数量	备注
NO.	CODE	material coding		QTY.	
1	72000B130002	72000B130002	SPPEEDOMETER ASSY.	1	
2	95000B50T000	95100B130001	HORN	1	
3	88100B13000E	88100B13000E	LOCK ASSY, POWER, (on,off)	1	
4	77000B50T000	77000B130001	INDICATOR COMP.	1	
5	98801B50T000	98801B130000	RECTIFIER	1	
6	88800B50T000	88800B130000	LOCK ASSY, SEAT	1	
7	80000B130000	80000B130000	HEAD LAMP ASSY	1	
8	82000B130000	82000B130000	TAIL LAMP ASSY	1	
9	96100B50T001		BATTERY ASSY.	1	
10	94000B50T000	94000B130000	RELAY, STARTER	1	
10A	94100J000002		RELAY, STARTER	1	
11	96200B50T000	96200B130000	COIL ASSY	1	
12	96400B50T000	96400K010001	FLASHER	1	
13	92000B130004	92000B130004	HARNESS ASSY, WIRING	1	
13	92000B130009	92000B130009	HARNESS ASSY, WIRING	1	
14	B02000601625	B02000601625	SCREW 6X16MM	1	
15	81100E050000	81100E050000	LAMP, TURN SIGNAL, L(DOT)	1	
16	81300E050000	81300E050000	LAMP, TURN SIGNAL, R(DOT)	1	
17	72900B50T000	72900B130000	CABLE, SPEEDOMETER	1	
18	B07030000605	B07030000605	WASHER 6MM	9	
19	B07000000605	B07000000605	WASHER 6MM	9	
20	B02000601625	B02000601625	SCREW 6X16MM	3	

以旧换新项目
请在架号6000

以旧换新项目
请在架号6000

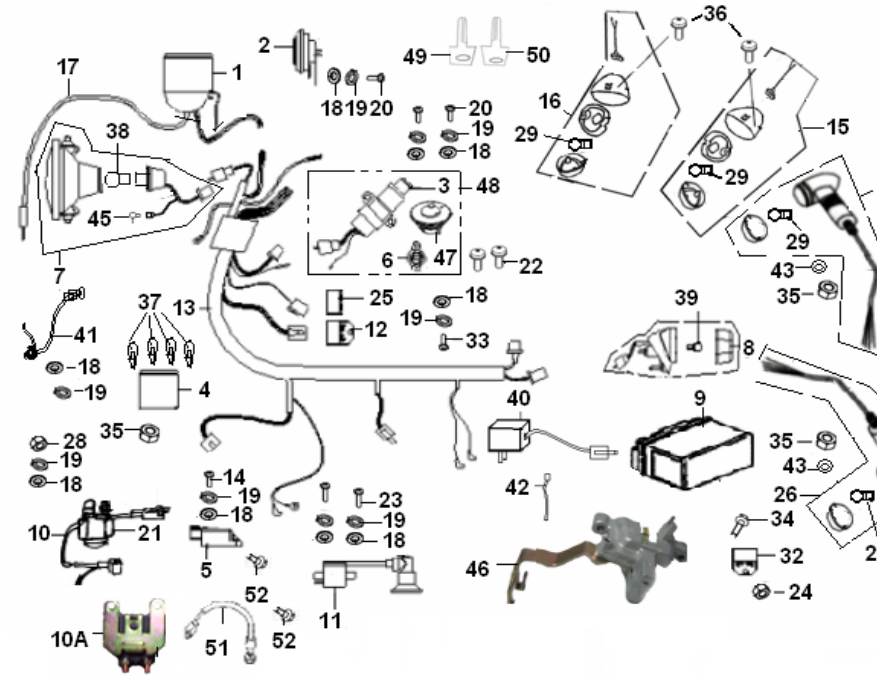


标记 处数 更改文件号 签字 日期

电器总成

ELECTRICAL EQUIPMENT ASSY.

序号	代码	物料编码		数量	备注
NO.	CODE	material coding		QTY.	
21	94008B50T000	94008B130000	COVER , RELAY, STARTER	1	
22	B13060601605	B13060601605	SCREW W/WASHER 6X16MM	2	
23	B02000602025	B02000602025	SCREW 6X20MM	2	
24	B04070600055	B04070600055	NUT 6MM	1	
25	96401B50T000	96401B130000	COVER, FLASHER	1	
26	81500B50T000	81500B130000	FLASHER LIGHT, L	1	
27	81700B50T000	81700B130000	FLASHER LIGHT, R	1	
28	B04000600045	B04000600045	NUT 6MM	1	
29	81004B50T000	81004B130000	BULB, 12V/10W	4	
32	97701B50T000	97701B130000	C.D.I.	1	
33	B02000601625	B02000601625	SCREW 6X12MM	1	
34	B01090602065	B01090602065	BOLT 6X20MM	1	
35	B04000600045	B04000600045	NUT 6MM	3	
36	B13140501405	B13140501405	SCREW W/WASHER M5x14	2	
37	70002B50T000	70002B130000	BULB , 12V2W	4	
38	80002B50T000	80002B130000	BULB , 12V/35/35W	1	
39	82005B50T000	82005B130000	BULB , 12V/21W/5W	1	
40	96300B50T000	96300B130000	CHARGER	1	
41	96900B50T000	96900B130000	WIRE, EARTH	1	
42	96310B920000	96310B920000	CHARGER WIRE	1	
43	B07020000605	B07020000605	WASHER 6MM	2	
45	80023B50T000	80023B130000	BULB , 12V/3W	1	
46	58800B130000	58800B130000	SEAT LATCH	1	
47	50200B50T000	50200B130000	CAP, FUEL TANK	1	
48	88000B13000E	88000B13000E	LOCK ASSY.COMP.(mark:on,off)	1	
49	88900B13000X	88900B13000X	KEY NUT RIGHT	1	
50	88900B13001X	88900B13001X	KEY NUT RIGHT	1	
51	92200G120000		ELECTRIC CABLE	1	配新继电器序号10A
52	B01090601065		BOLT M6×10	2	配新继电器序号10A

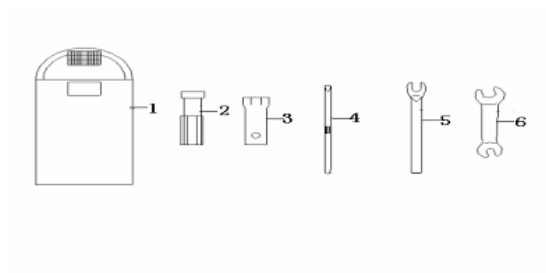


标记 处数 更改文件号 签字 日期

随车工具总成

TOOL KIT ASSY.

序号	代码	物料编码		数量	备注
NO.	CODE	materiel coding		QTY.	
1	02110B50T000	02110J000000	BAG, TOOL KIT	1	
2	02104B50T000	02104B130000	HANDLE, SCREW DRIVER	1	
3	02101B50T000	02101B130000	SOCKET, SPARK PLUG	1	
4	02103B50T000	02103B130000	DRIVER, DOUBLE-ENDED	1	
5	02108G0BP000	02108G010000	WRENCH	1	
6	B20011001203	B20011001203	WRENCH, DOUBLE-ENDED	1	

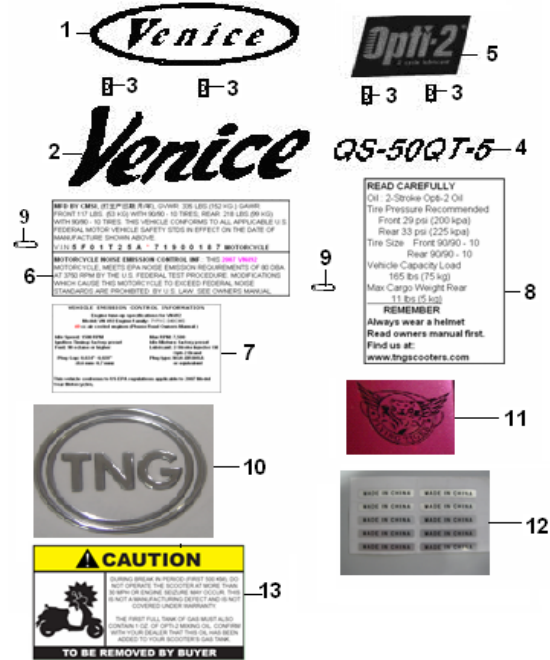


标记 处数 更改文件号 签字 日期

铭牌不干胶

STICKER

序号 代码	物料编码	数量	备注
NO. CODE	materiel coding	QTY.	
1 05521B50T002	05521B130002	2	FRONT COVER (VENICE)
2 05511B50T001	05511B130001	2	SIDE COVER (VENICE)
3 65311B50T000	65311B130000	8	NIP NUT
4 05512B50T002	05512B130002	2	SIDE COVER (QS-50QT-5)
5 05525B50T000	05525B130000	2	STICKER ,COVER
6 57001B030004	57001B030004	1	PLATE, LABEL
7 05596B130002	05596B130002	1	STICKER "EPA"
8 05581B50T003	05581B130003	1	TIRE PRESSURE
8.1 05533B130001	05533B130001	1	TIRE PRESSURE
9 B100432007P0	B100432007P0	2	RIVET 3.2×7MM
10 05522B130000	05522B130000	1	TNG,STICKER
11 05522B130001	05522B130001	1	FLYING TIGER,STICKER
12 65594B130000	65594B130000	1	STICKER"Made In China "
13 05531B030002	05531B030002	1	WARNING STICKER

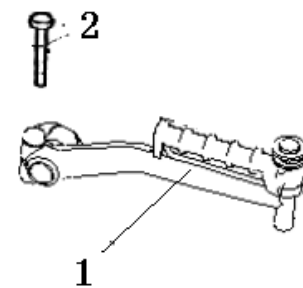


标记 处数 更改文件号 签字 日期

发动机附件

ENGINE ATTACHMENT

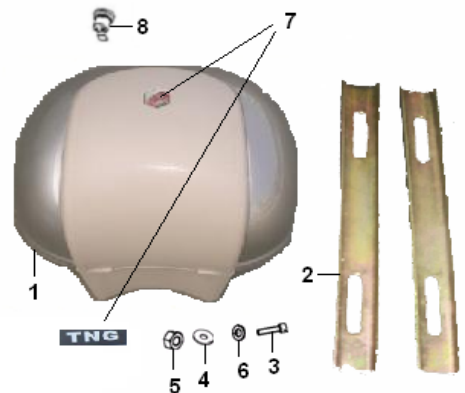
序号	代码	物料编码		数量	备注
NO.	CODE	material coding		QTY.	
1	08350B50T001	08350B130001	KICK STARTER ASSY.	1	
2	B01020602564	B01020602564	BOLT 6X25MM	1	



标记 处数 更改文件号 签字 日期

F21后货箱总成

序号	代码	物料编码		数量	备注
NO.	CODE	material coding		QTY.	
1	52200B13BH02	52200B13BH02	BACK BOX ASSY (BLACK)	1	
1	52200B13LT02	52200B13LT02	BACK BOX ASSY (BLUE)	1	贴
1	52200B13GB02	52200B13GB02	BACK BOX ASSY (GREEN)	1	
1	52200B13RR02	52200B13RR02	BACK BOX ASSY (RED)	1	
1	52200B13TV02	52200B13TV02	BACK BOX ASSY (PINK)	1	
2	52181B50T000	52181B130000	FIX BOARD	2	
3	B01010604023	B01010604023	SCREW M6×40	4	
4	B07020000603	B07020000603	WASHER 6	8	
5	B04000600053	B04000600053	NUT M6	4	
6	B07000000603	B07000000603	WASHER 6	4	
8	88600B50T000	88600B130000	BACK BOX LOCK	1	



标记 处数 更改文件号 签字 日期