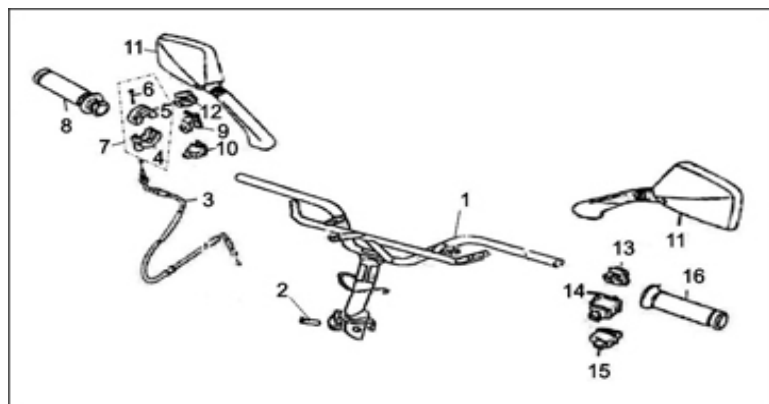
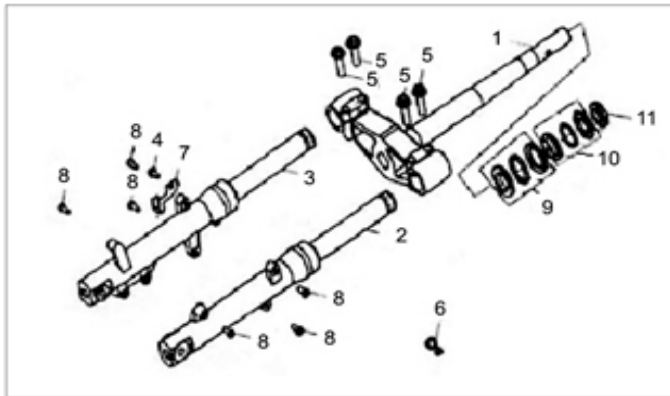


TS 250cc TNG SCOOTER



Item	P/N	Description	MSRP
1	TS250-B01.01	Handlebar	132.77 -->
3	TS250-B01.03	Throttle cable	22.55 -->
7	TS250-B01.07	Cable Seat	1.98 -->
8	TS250-B01.08	Grip, Right	7.04 -->
9	TS250-B01.09	Headlight Switch	1.76 -->
10	TS250-B01.10	Starter Switch	1.76 -->
11	TS250-B01.11	Mirror Set (Left & Right)	39.93 -->
12	TS250-B01.12	Kill switch	4.73 -->
13	TS250-B01.13	High/Lo Beam Switch	1.76 -->

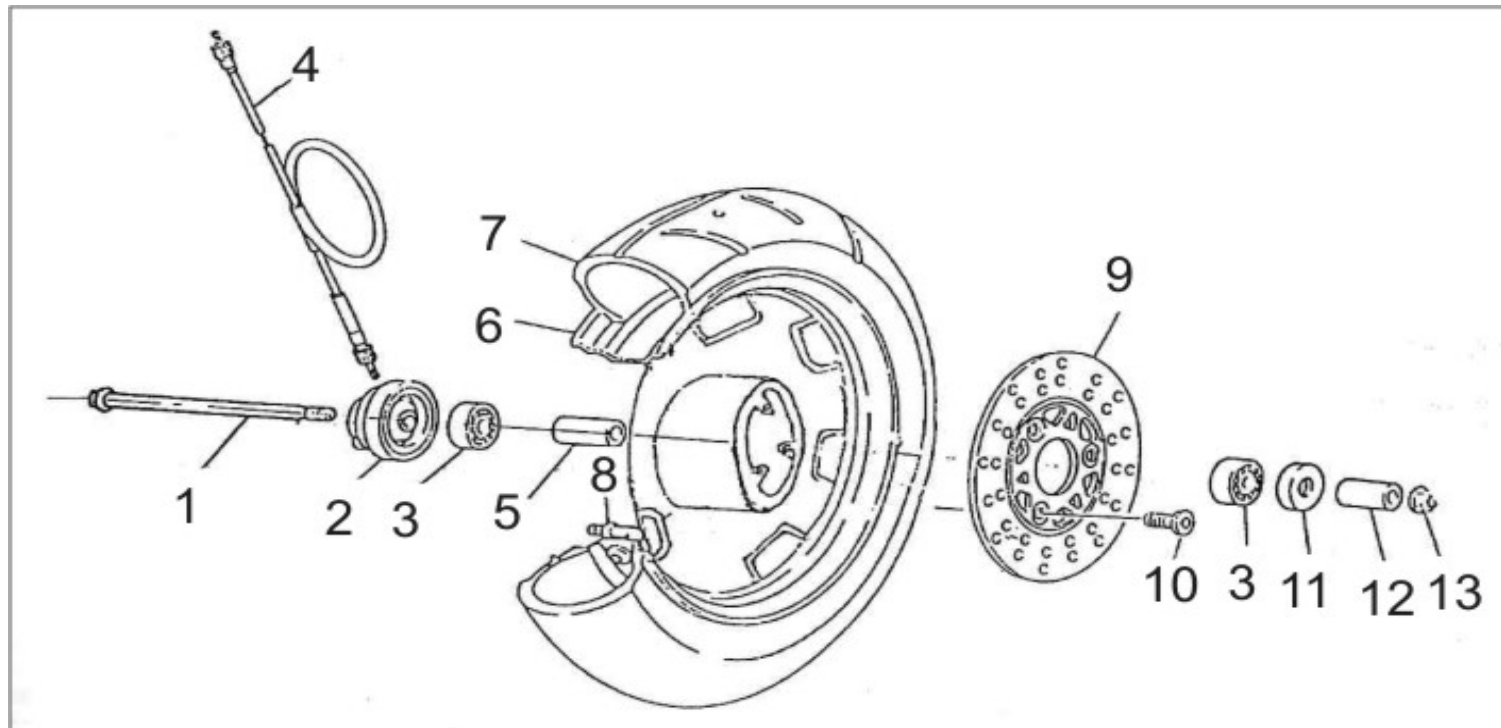
14	TS250-B01.14	Turn Signal Switch	1.76 -->
15	TS250-B01.15	Horn Button	1.76 -->
16	TS250-B01.16	Grip, Left	7.04 -->



s and specifications subject to

Item	P/N	Description	MSRP
1	TS250-B02.01	Steering Column	132.77 -->
2	TS250-B02.02	Front Shock Absorber, LH	165.00 -->
3	TS250-B02.03	Front Shock Absorber, RH	165.00 -->
6	TS250-B02.06	Guide	0.33 -->
7	TS250-B02.07	Clip	1.65 -->
8	TS250-B02.08	Screw M6x12	0.55 -->

9	TS250-B02.09	Lower Bearing Assy	41.80 -->
10	TS250-B02.10	Upper Bearing Assy	41.80 -->
11	TS250-B02.11	Locknut	4.51 -->



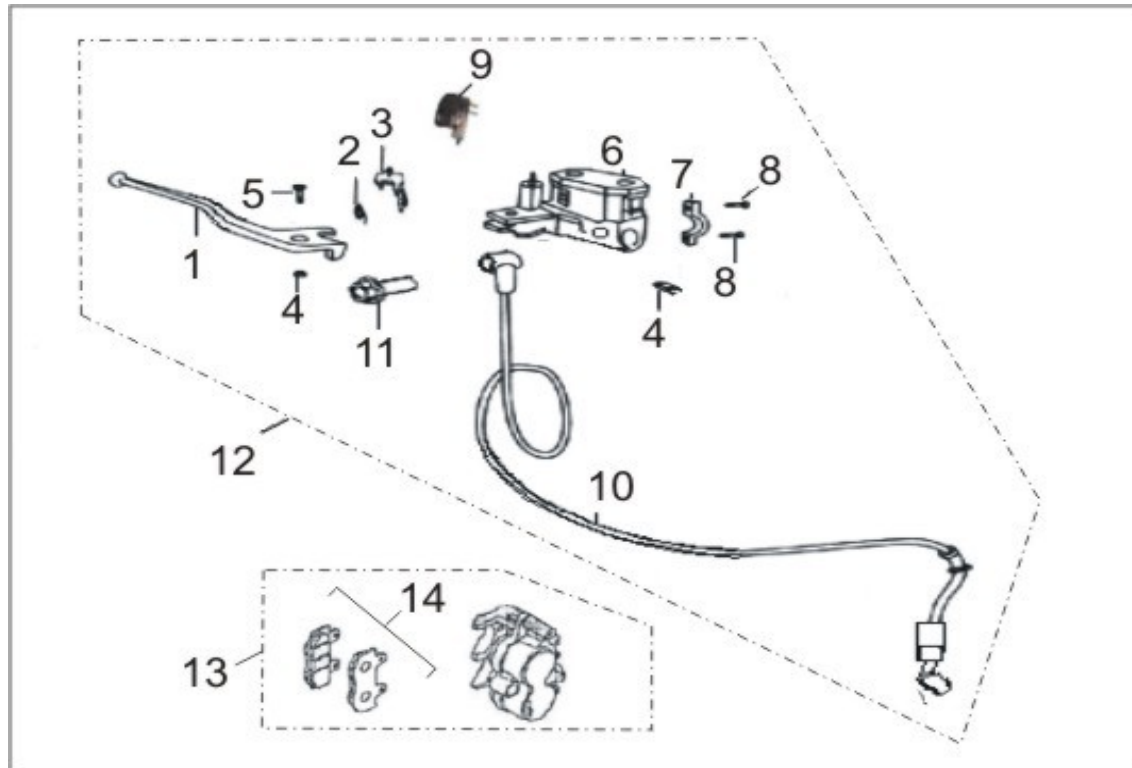
(Click line item in left column for more information)

(Prices and specifications subject to

Item	P/N	Description	MSRP
1	TS250-B03.01	Front Axle	8.03 -->

2	TS250-B03.02	Speedometer Pickup	89.32 -->
3	TS250-B03.03	Bearing	5.50 -->
4	TS250-B03.04	Speedometer Cable	20.50 -->
5	TS250-B03.05	Spacer	1.65 -->
6	TS250-B03.06	Front Wheel Rim	165.00 -->
7	TS250-B03.07	Front Tire 110/90-12	82.50 -->
9	TS250-B03.09	Front Brake Rotor	143.11 -->
10	TS250-B03.10	Brake Disc Bolt, Front	5.50 -->

11	TS250-B03.11	Seal	1.87 -->
12	TS250-B03.12	Collar	1.32 -->



(Click line item in left column for more information)

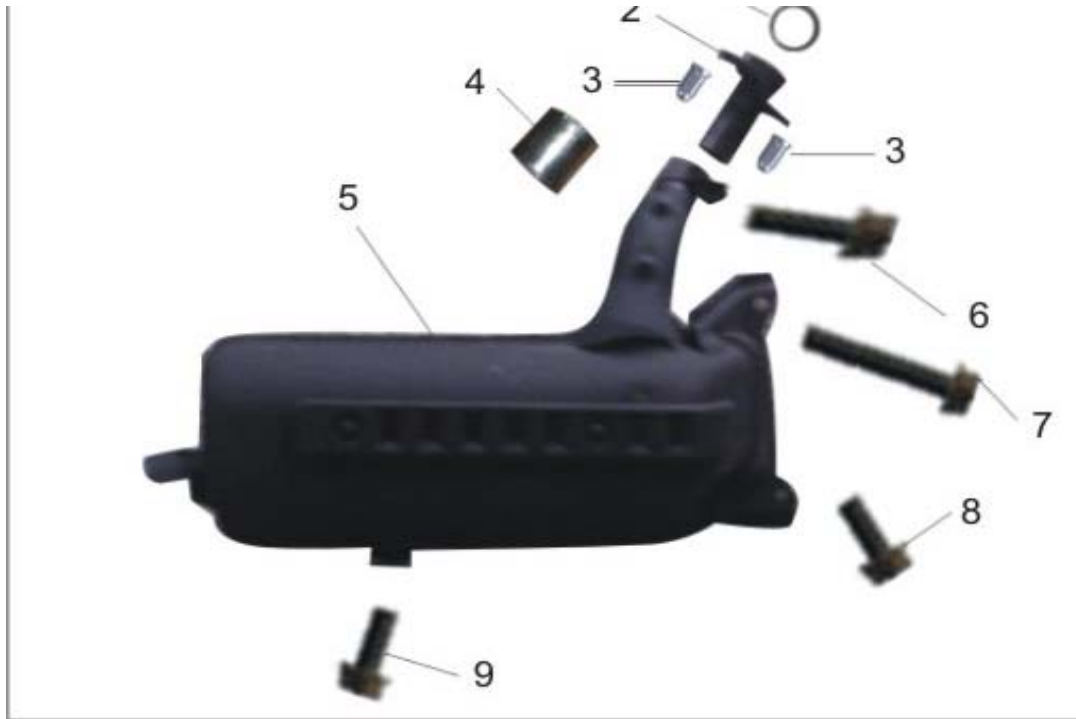
(Prices and specifications subject to

Item	P/N	Description	MSRP
1	TS250-B04.01	Right Brake Lever	17.05 -->
2	TS250-B04.02	Return Spring	2.53 -->

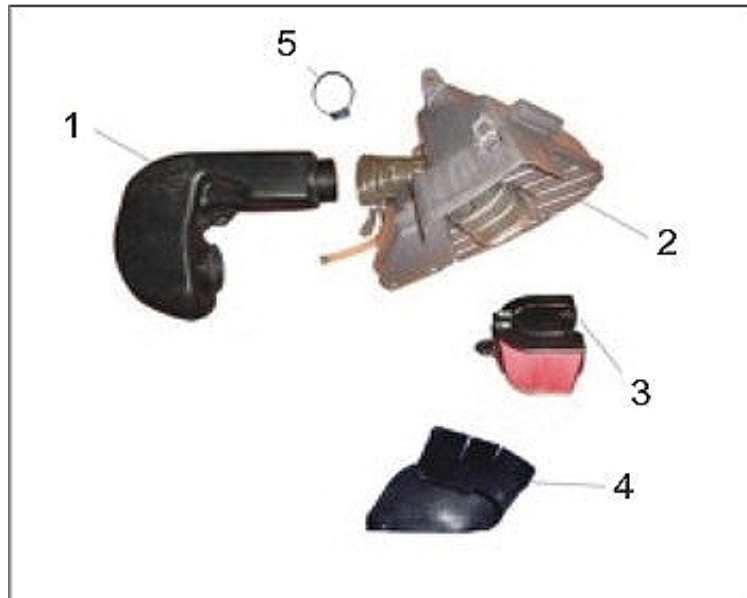
3	TS250-B04.03	Connecting Socket	30.47 -->
5	TS250-B04.05	Bolt, Brake Handle	0.55 -->
6	TS250-B04.06	Master Cylinder, Front Brake	63.47 -->
7	TS250-B04.07	Bracket, Master Cylinder	7.59 -->
9	TS250-B04.09	Switch, Front Brake	9.75 -->

10	TS250-B04.10	Brake Hose, Front	25.30 -->
11	TS250-B04.11	Bolt, Oil Inlet	0.88 -->
12	TS250-B04.12	Front Brake Master Cylinder Assy (no t	63.47 -->
13	TS250-B04.13	Front Caliper Assy	63.58 -->
14	TS250-B04.14	Front Brake Pad Set	22.77 -->





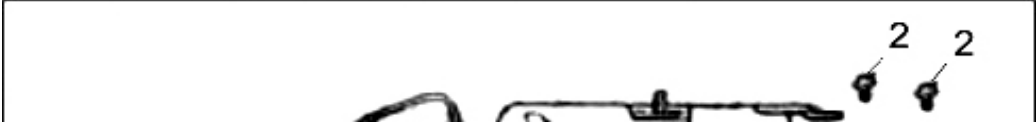
Item	P/N	Description	MSRP
1	TS250-B05.01	Muffler Cushion	78.76 -->
2	TS250-B05.02	Muffler Connector	20.50 -->
3	TS250-B05.03	Cap Nut M8	0.77 -->
4	TS250-B05.04	Black Lead Tray	25.50 -->
5	TS250-B05.05	Muffler Assy	182.05 -->
6	TS250-B05.06	Flange Bolt M8X38	0.22 -->

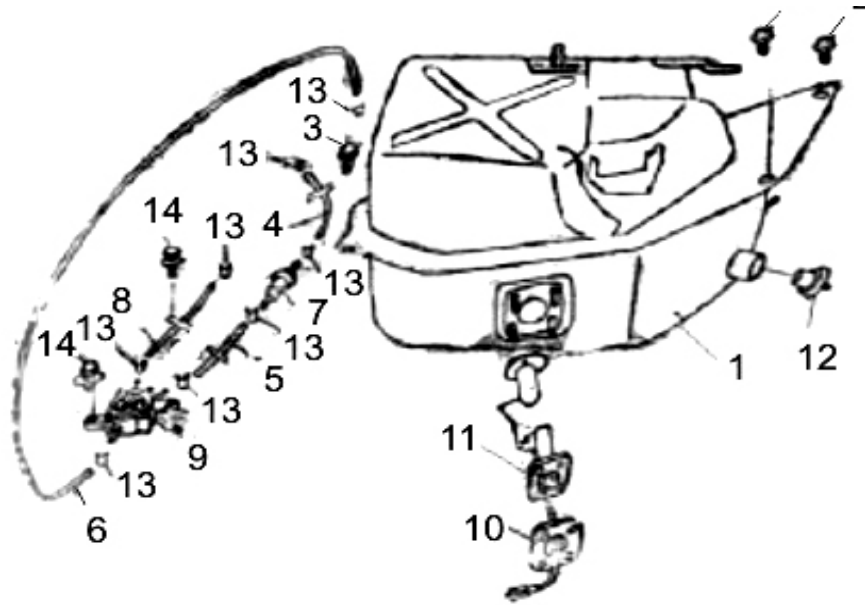


ces and specifications subject to

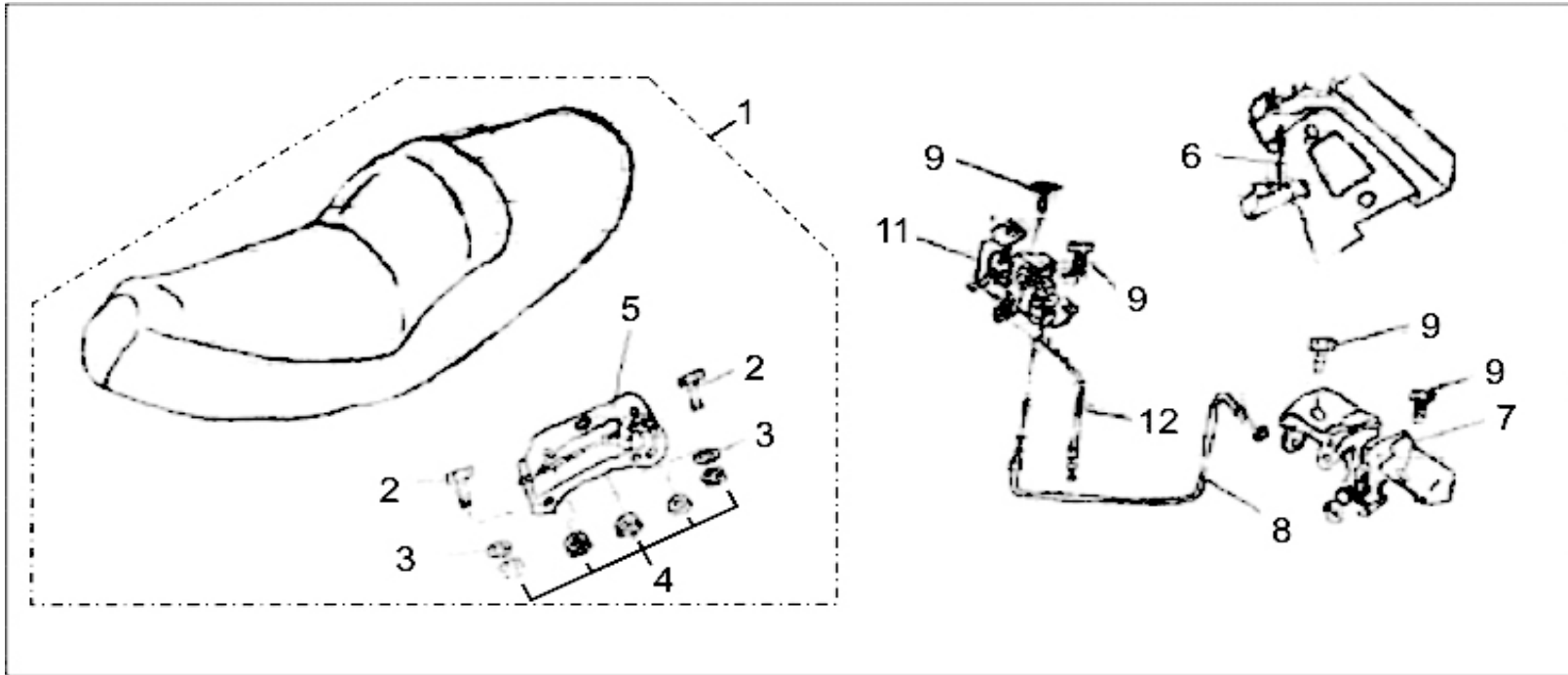


Item	P/N	Description	MSRP
1	TS250-B06.01	Air Box	4.73 -->
2	TS250-B06.02	Air Cleaner	22.00 -->
3	TS250-B06.03	Filter Element, Air Cleaner	8.58 -->
4	TS250-B06.04	Deflector	2.20 -->





Item	P/N	Description	MSRP
1	TS250-B07.01 More info	Fuel Tank	89.21 -->
7	TS250-B07.07	Fuel Filter	1.54 -->
9	TS250-B07.09 More info	Fuel Pump	39.05 -->
11	TS250-B07.11	Fuel Sending Unit	9.24 -->

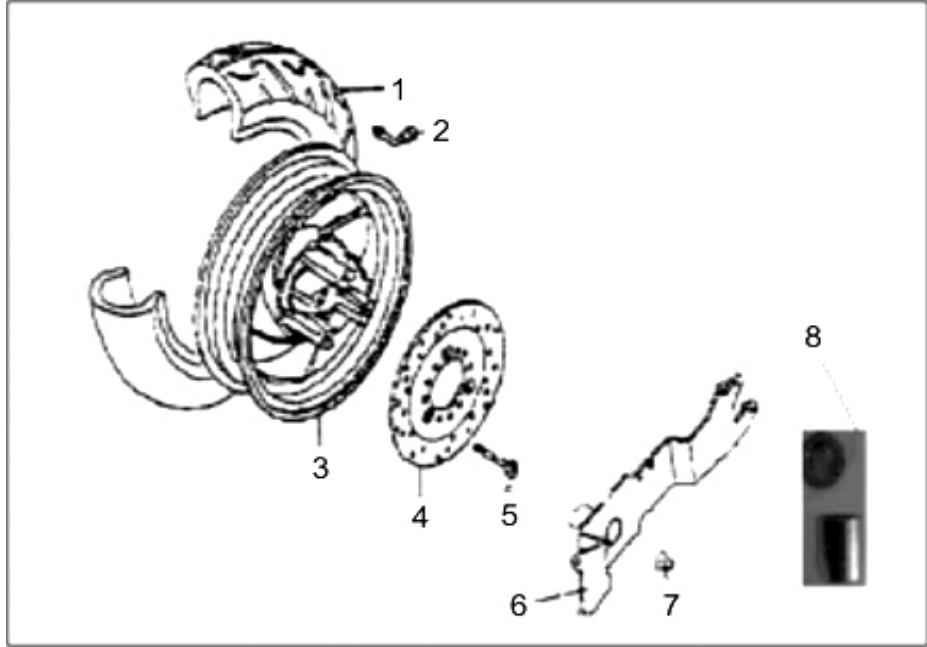


(Click line item in left column for more information)

(Prices and specifications subject to

Item	P/N	Description	MSRP
1	TS250-B08.01	Seat cushion	209.00 -->

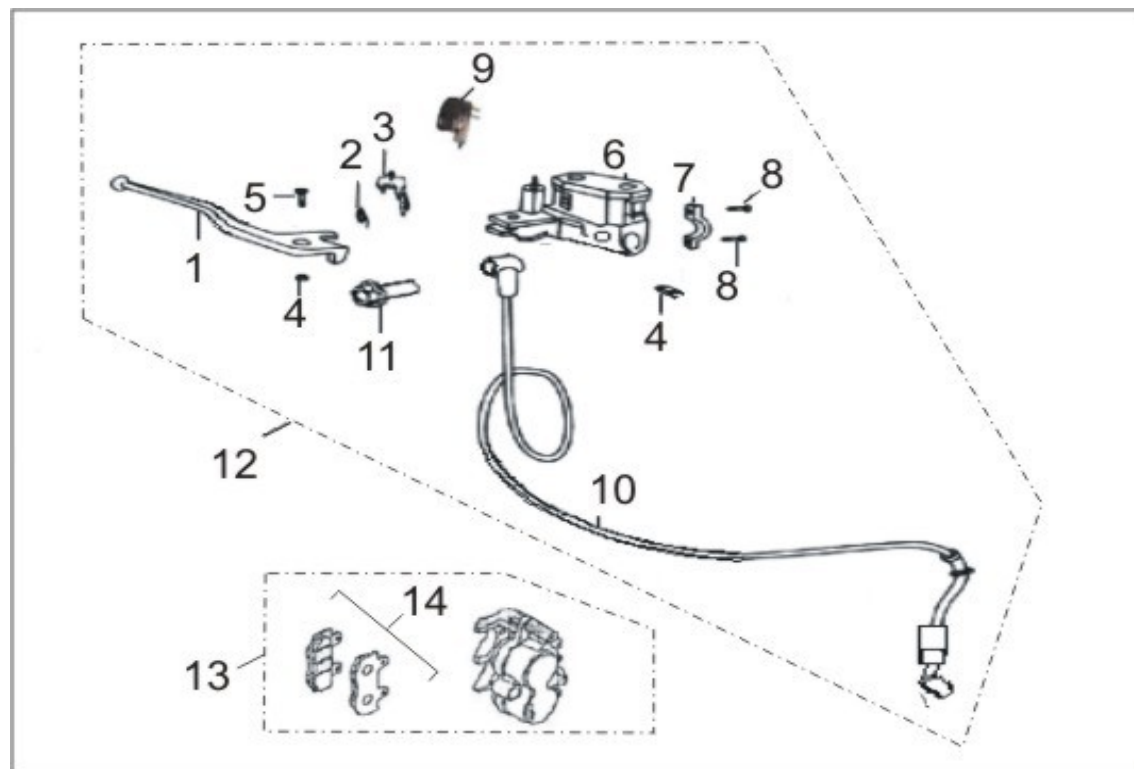
2	TS250-B08.02	Bolt flange M6X20	0.22 -->
3	TS250-B08.03	Big washer 6-140HV	0.55 -->
4	TS250-B08.04	Nut flange M6	0.55 -->
5	TS250-B08.05	seat install board	79.97 -->
6	TS250-B08.06	Protecting Cover, Seat Lock	36.08 -->
7	TS250-B08.07	Seat Lock (rear)	83.38 -->
8	TS250-B08.08	Seat Lock Cable (long)	3.52 -->
9	TS250-B08.09	Bolt flange M6X12	0.33 -->
11	TS250-B08.11	Seat Lock (front)	90.42 -->
12	TS250-B08.12	Seat Lock Cable (short)	2.31 -->



ns subject to

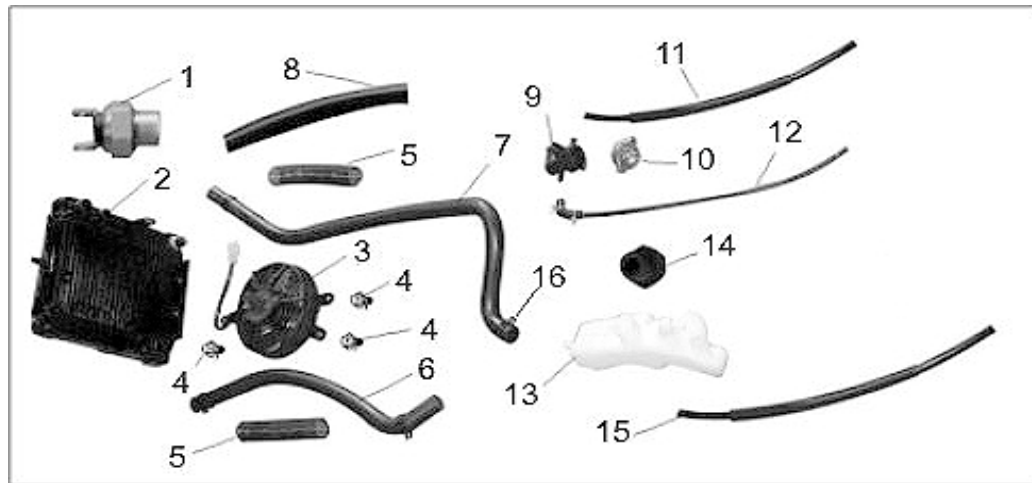
Item	P/N	Description	MSRP
1	TS250-B09.01	Rear Tire 110/90-12	82.50 -->
3	TS250-B09.03	Rear Wheel Rim	167.20 -->
4	TS250-B09.04	Rear Brake Disc	143.77 -->
5	TS250-B09.05	Brake Disc Bolt, Rear	74.69 -->

6	TS250-B09.06	Connecting Bracket	144.43 -->
7	TS250-B09.07	Flange Nut M16x1.5	1.21 -->
8	TS250-B09.08	Bushing Set (Long/Short)	1.65 -->



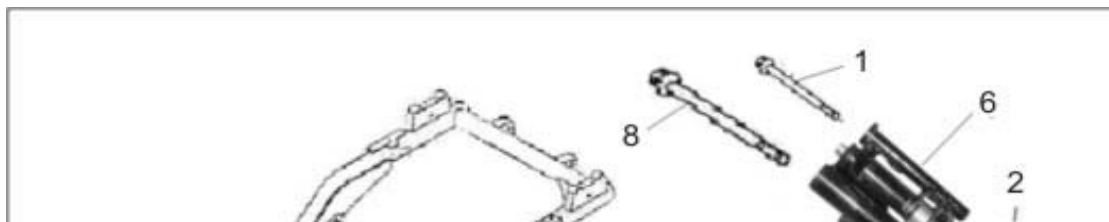
5	TS250-B10.05	Bolt, Brake Handle	3.08 -->
---	------------------------------	--------------------	----------

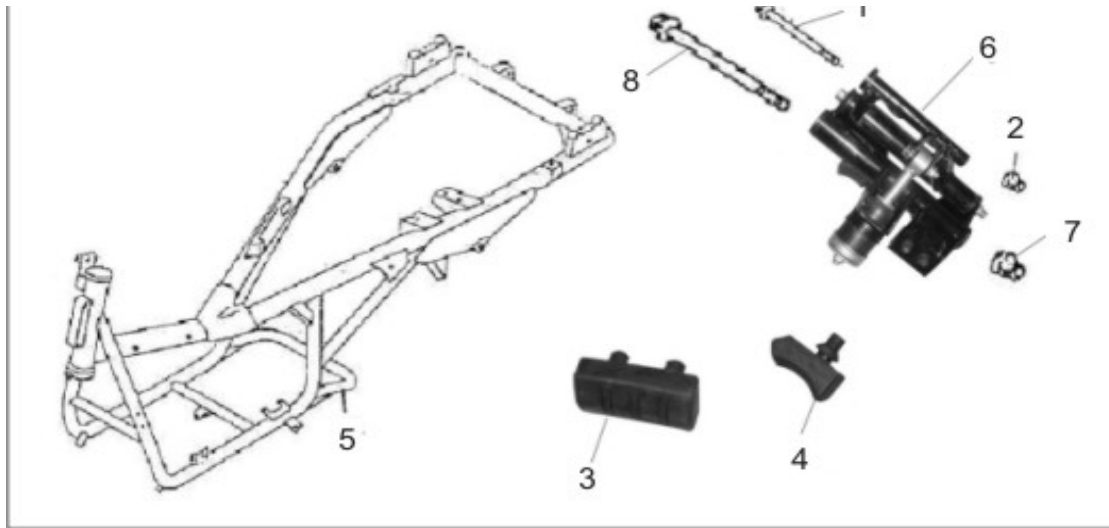
6	TS250-B10.06	Rear Brake Master Cylinder	63.36 -->
7	TS250-B10.07	Bracket, Master Cylinder	7.59 -->
9	TS250-B10.09	Switch, Rear Brake	9.75 -->
10	TS250-B10.10	Brake Hose, Rear (3 pieces)	63.47 -->
11	TS250-B10.11	Oil Inlet Bolt	0.88 -->
12	TS250-B10.12	Rear Brake Master Cylinder Assy.	39.05 -->
13	TS250-B10.13	Rear Brake Caliper Assy	88.77 -->
14	TS250-B10.14	Rear Brake Pad Set	22.77 -->



Item	P/N	Description	MSRP
------	-----	-------------	------

1	TS250-B11.01	Temperature Switch	28.05 -->
2	TS250-B11.02	Radiator	143.00 -->
3	TS250-B11.03	Fan	64.90 -->
5	TS250-B11.05	Pipe Spring	1.21 -->
6	TS250-B11.06	Outlet Hose	11.00 -->
7	TS250-B11.07	Inlet Hose	11.00 -->
8	TS250-B11.08	Filler Hose	11.00 -->
9	TS250-B11.09	Coolant Filler Inlet	1.10 -->
10	TS250-B11.10	Coolant Filler Cap	1.10 -->
11	TS250-B11.11	Overflow Hose	6.60 -->
12	TS250-B11.12	Return Tube	11.00 -->
13	TS250-B11.13	Overflow Tank	22.00 -->
14	TS250-B11.14	Cap, Overflow Tank	1.43 -->
15	TS250-B11.15	Drain Tube	9.24 -->
16	TS250-B11.16	Hose Clamp	1.21 -->





Item	P/N		MSRP
1	TS250-B12.01	Hanger Axle 1	1.54 -->

2	TS250-B12.02	Flanged Locknut M10x1.25	0.22 -->
---	------------------------------	--------------------------	----------

3	TS250-B12.03	Rubber Hanger, Large	0.33 -->
4	TS250-B12.04	Rubber Hanger, Small	0.22 -->
6	TS250-B12.06	Hanger	84.70 -->
7	TS250-B12.07	Flanged Locknut M12x1.25	0.11 -->
8	TS250-B12.08	Hanger Axle 2	28.60 -->

(Click line

