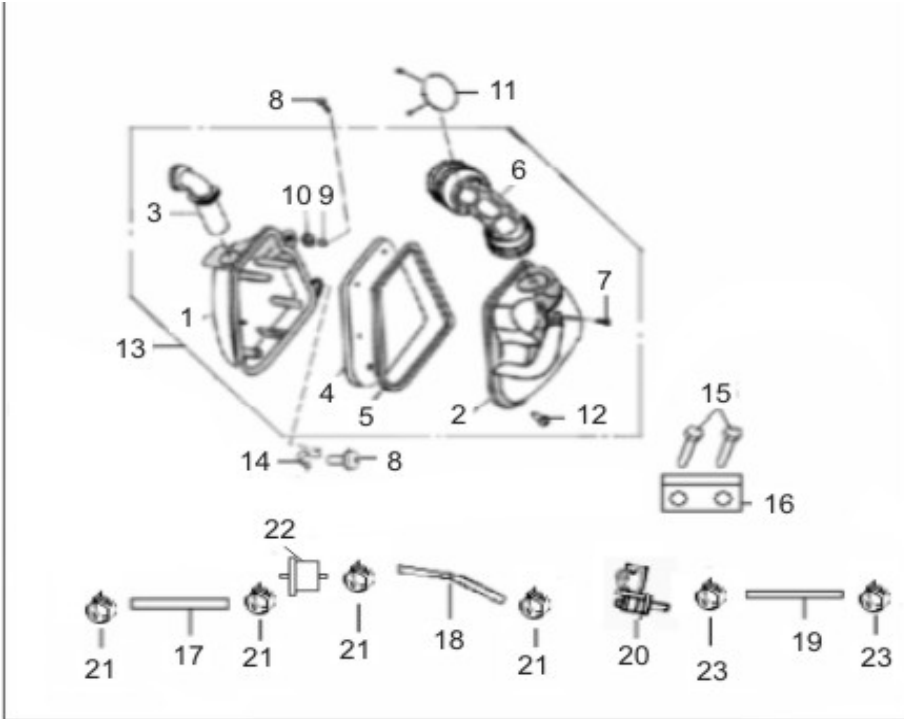


(Click line item in left column for more information)

(Prices and specifications subject to change)

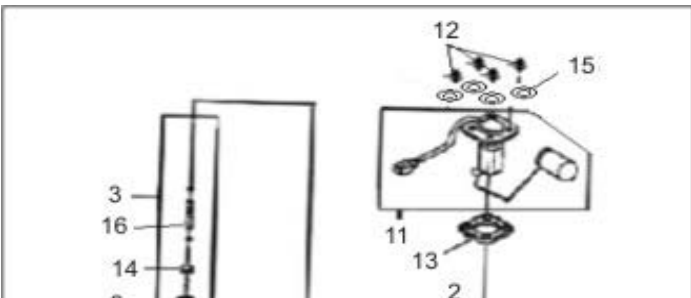
Item	P/N	Description
1	<a href="#">SS49-B06.01</a>	Muffler Assy (w/Catalyst)
3	<a href="#">SS49-B06.03</a>	Seal Washer
5	<a href="#">SS49-B06.05</a>	Muffler Fixing Plate
6	<a href="#">SS49-B06.06</a>	Muffler Bushing
7	<a href="#">SS49-B06.07</a>	Bolt 8x35mm
8	<a href="#">SS49-B06.08</a>	Bolt M8x20
9	<a href="#">SS49-B06.09</a>	Exhaust Pipe Gasket
11	<a href="#">LS49-B25.11</a>	Muffler Clamp
12	<a href="#">LS49-B25.12</a>	Clamp Cushion
17	<a href="#">SS49-B06.17</a>	Hose II 185mm
18	<a href="#">SS49-B06.18</a>	Hose I 250mm
19	<a href="#">SS49-B06.19</a>	Hose 210mm

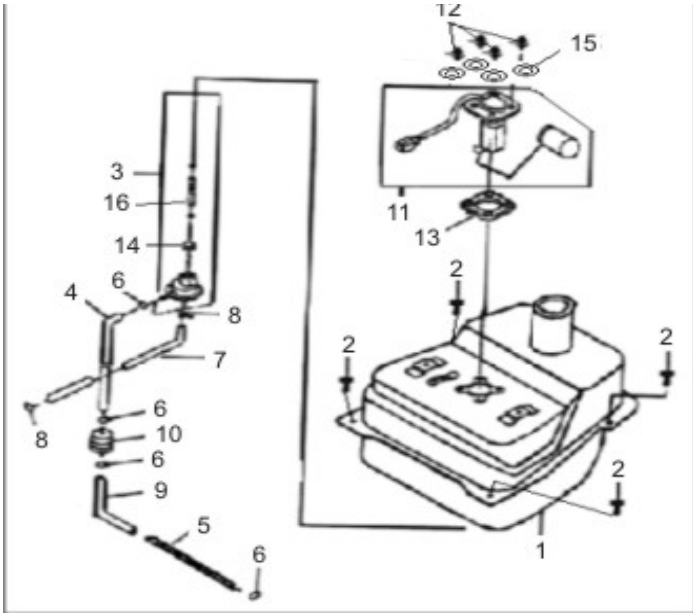


(Click line item in left column for more information)

(Prices and specifications subject to change)

Item	P/N	Description
4	<a href="#">SS49-B07.04</a>	Filter Element
13	<a href="#">SS49-B07.13</a>	Air Cleaner Assy
14	<a href="#">SS49-B07.14</a>	Brake Cable Guide
17	<a href="#">SS49-B07.17</a>	Hose 2 (185mm)
18	<a href="#">SS49-B07.18</a>	Hose 1 (250mm)
19	<a href="#">SS49-B07.19</a>	Hose (210mm)
20	<a href="#">VN49-B25.18</a>	One Way Valve
21	<a href="#">VN49-B26.19</a>	Spring Clamp, 17.5
22	<a href="#">VN49-B26.20</a>	Air Cleaner, Small

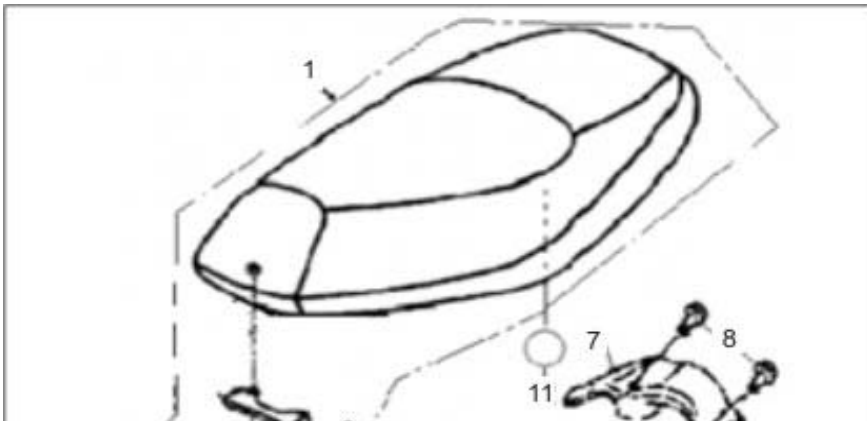


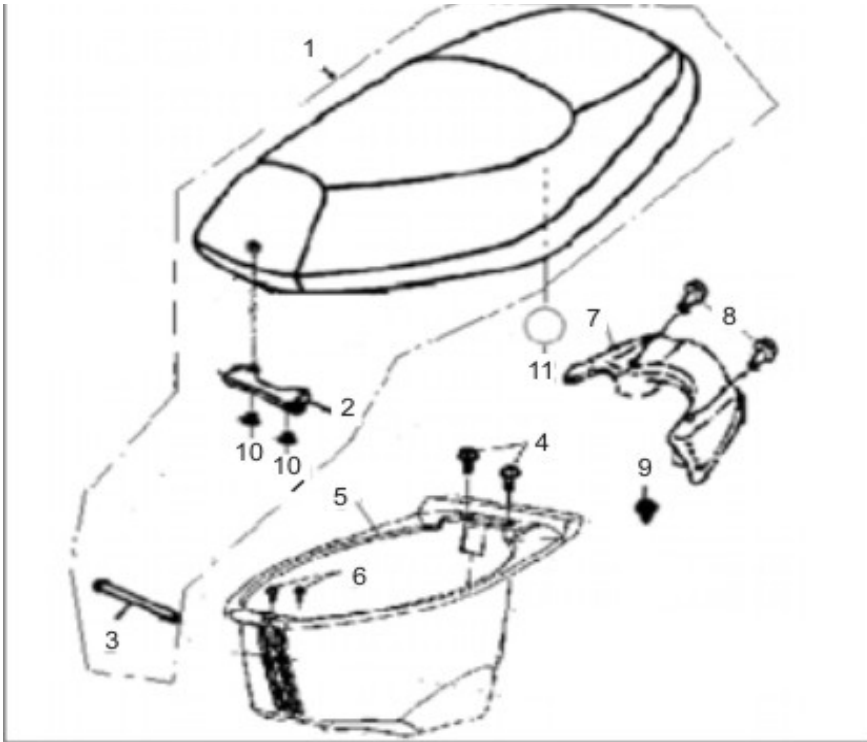


(Click line item in left column for more information)

(Prices and specifications subject to change)

Item	P/N	Description
1	<a href="#">SS49-B08.01</a>	Fuel Tank
3	<a href="#">SS49-B08.03</a>	Fuel Petcock Assy
4	<a href="#">SS49-B08.04</a>	Fuel Hose 1 (4.5x5x80) SAE 30 R9
5	<a href="#">SS49-B08.05</a>	Spring
7	<a href="#">SS49-B08.07</a>	Vacuum Hose 1 (4x8x360)
9	<a href="#">SS49-B08.09</a>	Fuel Hose 2 (4.5x8.5x250) SAE 30 R9
11	<a href="#">SS49-B08.11</a>	Fuel Sending Unit
13	<a href="#">SS49-B08.13</a>	Fuel Sending Unit Gasket



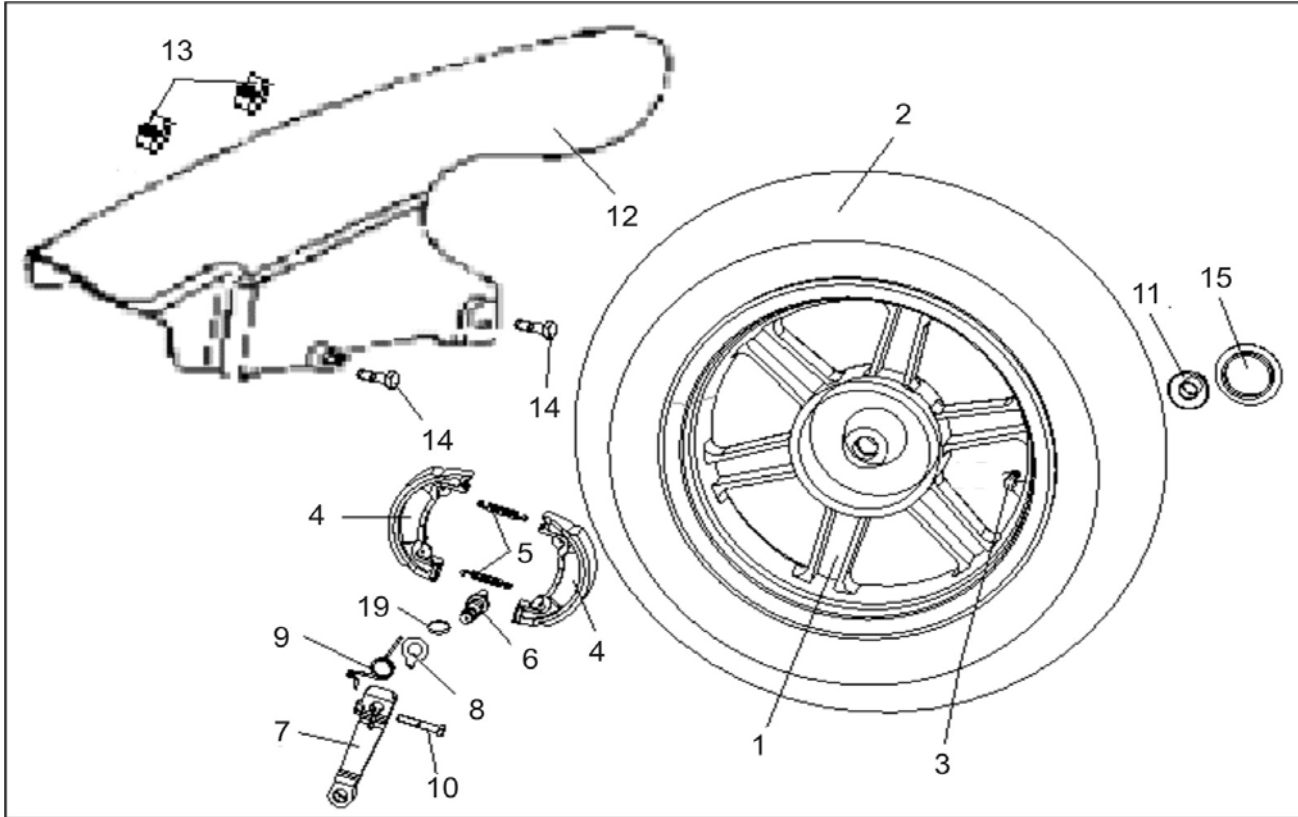


fications subject to change)

Item	P/N	Description
1	<a href="#">SS49-B09.01</a>	Seat Assy
2	<a href="#">SS49-B09.02</a>	Seat Hinge
3	<a href="#">SS49-B09.03</a>	Pin, Seat Hinge
5	<a href="#">SS49-B09.05</a>	Storage Compartment
7	<a href="#">SS49-B09.07BLK</a>	Rear Spoiler
7	<a href="#">SS49-B09.07YEL</a>	Rear Spoiler
11	<a href="#">SS49-B09.11</a>	O-Ring 84.4x3.1mm

(Click line item in left column for more information)

(Prices and specifications subject to change)



Item	P/N	Description	MSRP
1	<a href="#">SS49-B10.01</a>	Rear Wheel Rim 3.5 x 12" (DOT)	
2	<a href="#">SS49-B10.02</a>	Rear Tire 130/70-12 (DOT)	
4	<a href="#">LS49-B11.03</a>	Rear Brake Shoe (Set of 2)	
4	<a href="#">SS49-B10.04</a>	Rear Brake Shoes	
5	<a href="#">SS49-B10.05</a>	Spring	
7	<a href="#">SS49-B10.07</a>	Camshaft Lever	
8	<a href="#">SS49-B10.08</a>	Indicator Plate	
9	<a href="#">SS49-B10.09</a>	Tension Spring	
12	<a href="#">SS49-B10.12</a>	Inner Rear Fender	
14	<a href="#">SS49-B10.14</a>	Rear Fender Bracket, Right	
15	<a href="#">SS49-B10.15</a>	Bushing, Rear Fender	
19	<a href="#">SS49-B10.19</a>	O-Ring 10x1.9mm	