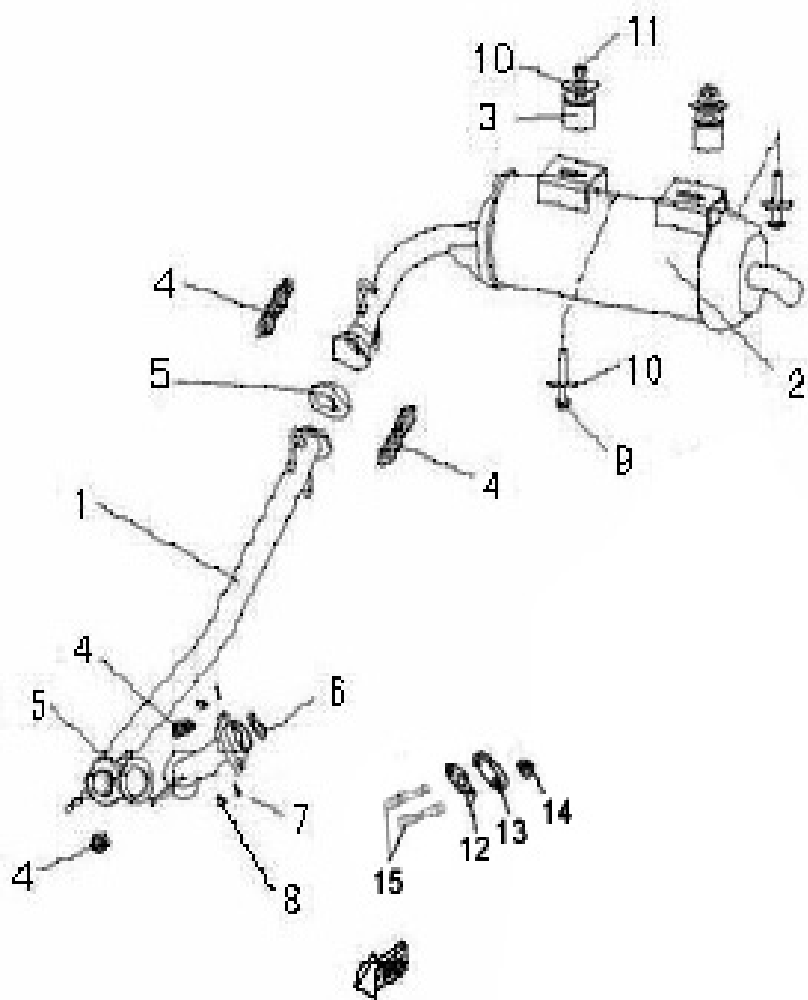
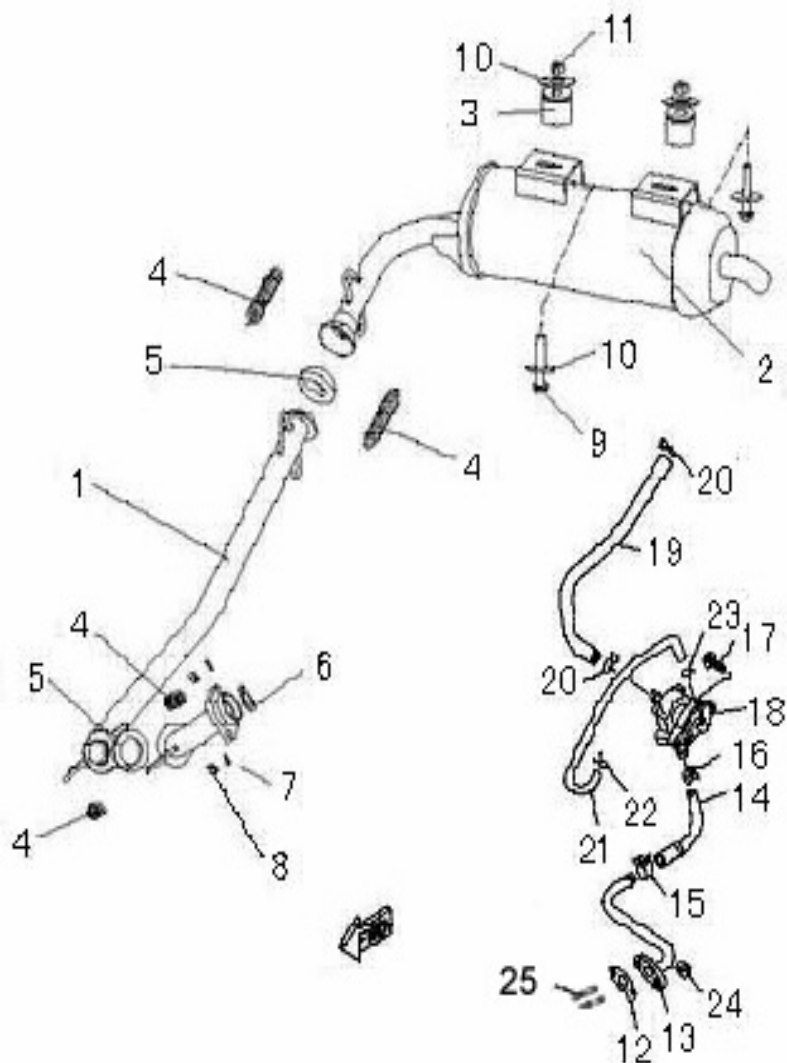


27 EXHAUST (FOR EUROPE)



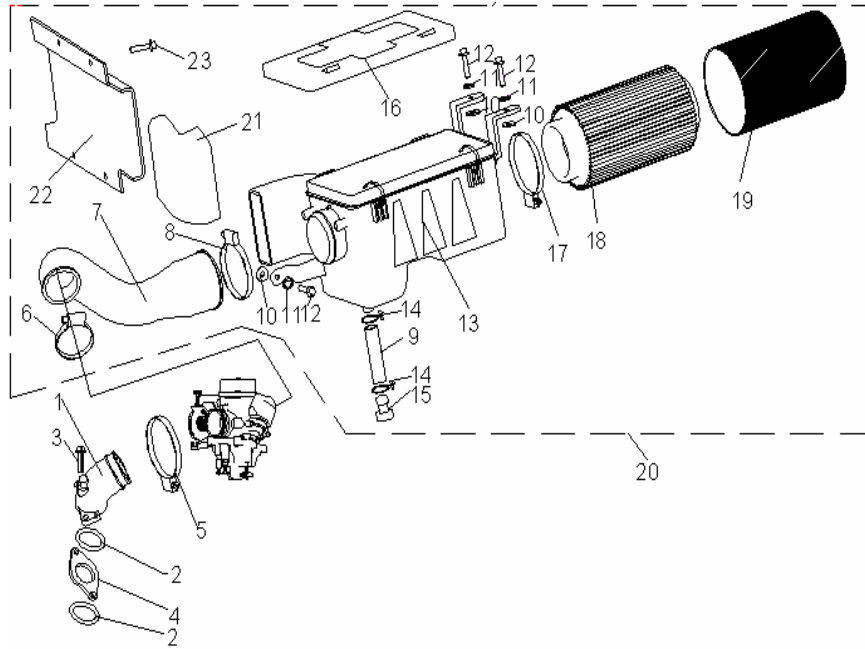
REF. No.	PART NO.	DESCRIPTION	Q'TY	图号
1		EXHAUST PIPE	1	LH300CUV.14.1
2		MUFFLER	1	LH300CUV.14.2a
3		MUFFLER SUPPORT	2	LH260ATV.15.2
4		SPRING	4	LH260ATV.15-1
5		JOUNT	2	LH260ATV-B.14.3
6		EXHAUST PIPE GASKET	1	170M.19.3
7		NUT M8	2	GB/T6170
8		WASHER 8	2	GB/T93
9		BOLT FLANGE M10X1.25X62	2	GB/T16674.1
10		WASHER PLATE 10	4	GB/T96
11		NUT M10X1.25	2	GB/T6187
12		WASHER	1	170M.20-10
13		JOINT BRACKET	1	170M-A.20-12
14		NUT M6	2	GB/T6187
15		BOLT	2	170M.20-11

27 EXHAUST (FOR EUROPE)



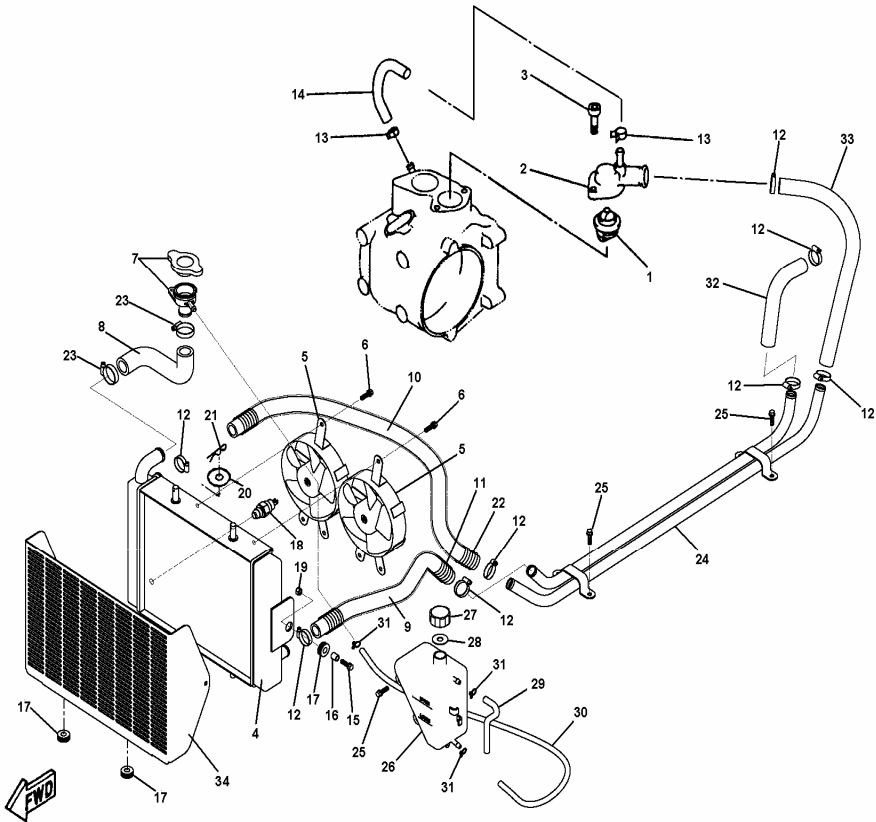
REF. No.	PART NO.	DESCRIPTION	Q'TY	图号
1		EXHAUST PIPE	1	LH300CUV.14.1
2		MUFFLER	1	LH300CUV.14.2a
3		MUFFLER SUPPORT	2	LH260ATV.15.2
4		SPRING	4	LH260ATV.15-1
5		JOUNT	2	LH260ATV-B.14.3
6		EXHAUST PIPE GASKET	1	170M.19.3
7		NUT M8	2	GB/T6170
8		WASHER 8	2	GB/T93
9		BOLT FLANGE M10X1.25X62	2	GB/T16674.1
10		WASHER PLATE 10	4	GB/T96
11		NUT M10X1.25	2	GB/T6187
12		WASHER	1	170M.20-10
13		HOSE	1	170M.20.3
14		HOSE C	1	170M.20-8
15		CLIP 16	1	170M.20-9
16		CLIP 13	1	170M.20-4
17		BOLT M6X20	2	GB/T5789
18		VALVE	1	170M.20.2
19		HOSE B	1	170M.20-3
20		HOSE CLAMP 16	2	170M.20-2
21		PIPE	1	170M.20-7
22		CLIP 9	1	170M.20-6
23		CLIP 7.6	1	170M.20-5
24		NUT M6	2	GB/T6187
25		BOLT	2	170M.20-11

28 AIR CLEANER



REF. No.	PART NO.	DESCRIPTION	Q'TY	图号
1			1	LH300CUV.15.5
2		O-RING 35X2	2	170M.17-13
3		SCOKET HEAD BOLT M6X25	2	GB/T70
4		JOINT	1	170M.17-12
5		HOSE CLAMP D	1	170M.17.4
6		HOSE CLAMP C	1	LH300CUV.15.2
7		AIR CLEANER JOINT	1	LH300CUV.15-2
8		HOSE CLAMP B	1	LH300CUV.15.1
9		HOSE	1	LH300CUV.15-1
10		WASHER 6	3	GB/T96
11		WASHER 6	3	GB/T93
12		BOLT M6X30	3	GB/T16674.1
13		AIR CLEANER CASE1	1	LH300CUV.15.4
14		CLIP	2	LH260ATV.16-4
15		PLUG	1	LH260ATV.16-5
16		COVER AIR CLEANER	1	LH300CUV.15.3
17		HOSE CLAMP A	1	LH260ATV.16.2
18		ELEMENT COMP AIR CLEANER	1	LH260ATV.16.1
19		FILTER COVER	1	LH260ATV.16.7
20		AIR CLEANER	1	LH300CUV.15
21		JOINT HOSE		LH300CUV.15-3
22		DUSTPROOF COVER		LH300CUV.15-4

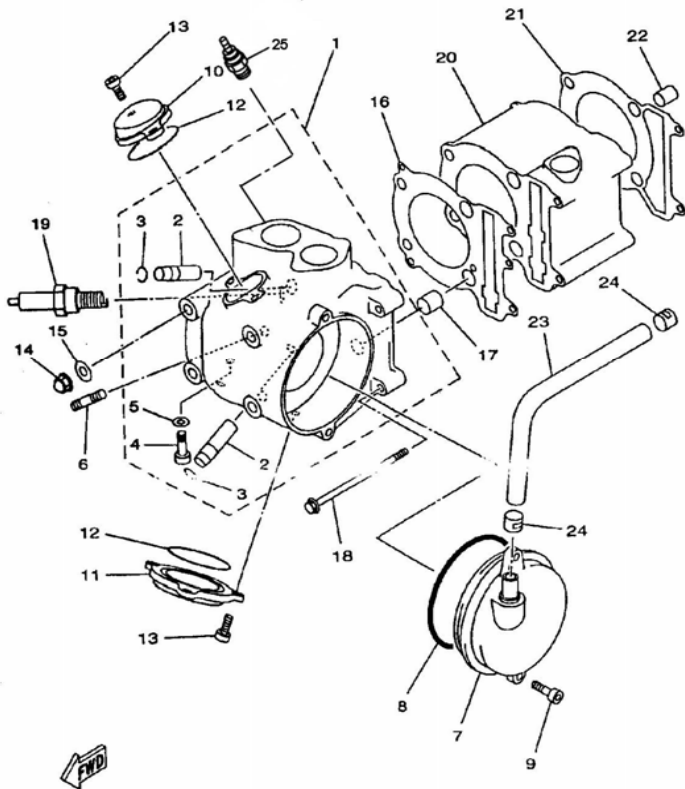
29 RADIATOR



REF. No.	PART NO.	DESCRIPTION	Q'TY	图号
1		THERMOSTAT	1	170M.11.7.2
2		THERMOSTAT COVER	1	170M.11.7.1
3		SOCKET HEAD BOLT M6X25	2	GB70
4		RADIATOR ASSY (THICKER)	1	LH300CUV.16.3
5		BLOWER ASSY	2	170M.11.2b
6		FLANGE BOLT M6X9	6	GB/T16674.1
7		SAFETY VALVE	1	170M.11.1
8		RADIATOR FILLER HOSE	1	LH300CUV.16.5
9		RETURN HOSE	1	LH300CUV.16-2
10		FEED HOSE	1	LH300CUV.16-1
11		SPRING CIMPRESSION	1	170M.11-10
12		CLAMP 16/27	8	LH2V70.12.1
13		HOSE CLAMP2	2	170M.1-7
14		HOSE1	1	170M.11-13A
15		BOLT M6X20	2	GB/T5787
16		COLLAR	2	170M.11-6
17		RADIATOR SIDE SUPT GROMMET	4	170M.11-5
18		THERMOSTAT SWITCH ASSY	1	170M.11.4
19		NUT M6	2	GB/6187-M6
20		WASHER PLATE 10	2	GB97-10
21		CLIP 2X20	2	GB91-2X20
22		COMPRESSION SPRING	2	170M-A.11-10
23		CLAMP 20/32	2	LH520ATV.16.4
24		BRACKET	1	LH300CUV.16.2
25		BOLT M6X12	4	GB/T16674.1
26		TANK RECOVERY	1	LH520ATV.16.2-1
27		COVER,TANK RECOVERY	1	LH520ATV.16.2.1-1
28		WASHER,TANK RECOVERY	1	LH520ATV.16.2.1-2

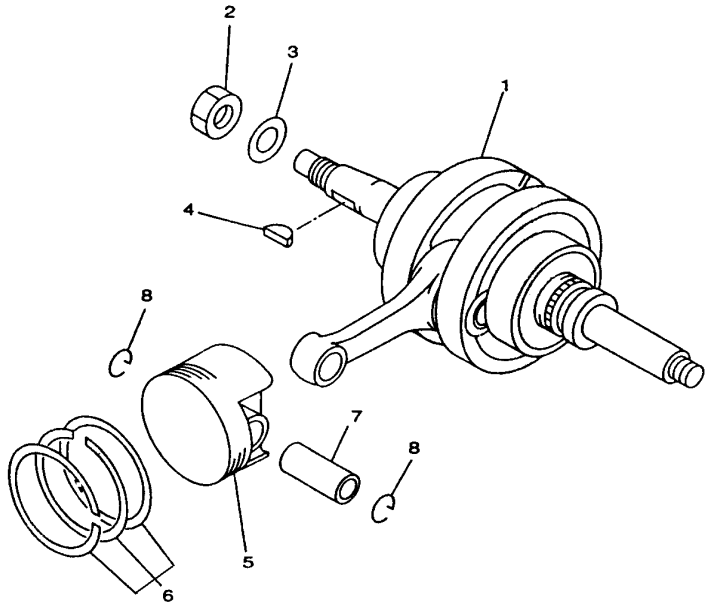
29	PIPE,TANK RECOVERY	1	LH520ATV.16.2-3
30	PIPE	1	LH300CUV.16.1-1
31	PIPE 1	1	170M.11.6-5
32	FEED HOSE , VALVE	1	LH300CUV.16-3
33	RETURN HOSE , CYLINI	1	LH300CUV.16-4
34	FENDER		LH300CUV.16-6

30 CYLINDER



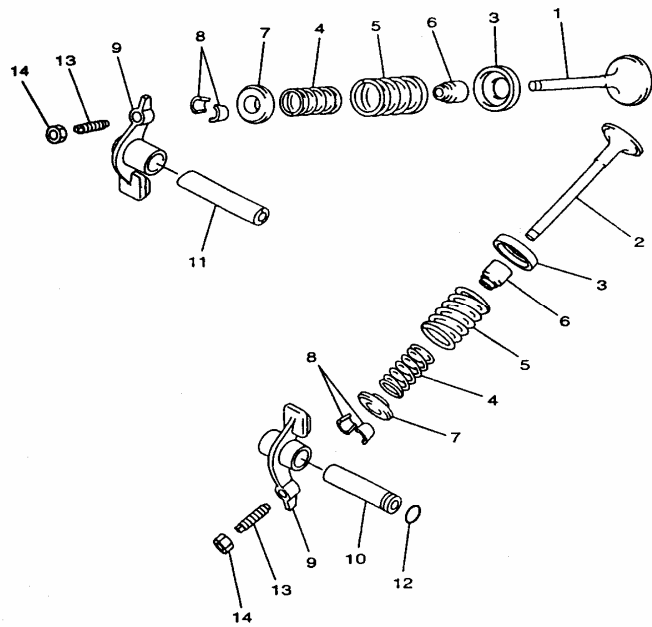
REF. No.	PART NO.	DESCRIPTION	Q'TY	图号
1		CYLINDER HEAD ASSY (FOR 300cc)	1	173M.1.1
2		GUIDE INTAKE VALVE	2	170M.1.1-2
3		CIRCLIP 12	2	170M.1.1-6
4		BOLT M6X12	1	GB5783
5		GASKET 6	1	170M.1-9
6		BOLT STUD M8X25	2	GB898
7		BREATHER ASSY	1	170M.1.2.1
8		O-RING 95X3.3	1	170M.1.2-5
9		BOLT SOCKET HEAD M6X20	2	GB70
10		VALVE COVER INTAKE SIDE	1	170M.1-1
11		VALVE COVER EXHAUST SIDE	1	170M.1-3
12		O-RING 57.5X2.3	2	170M.1-2
13		BOLT SOCKET HEAD M6X20	5	GB70
14		NUT CROWN M8	4	170M.4-1
15		WASHER PLATE 8	4	170M.4-2
16		GASKET CYLINDER HEAD1 (FOR 300cc)	1	173M.1.3
17		PIN DOWEL 14X16	2	170M.1-6
18		BOLT FLANGE M6X120	2	170M.4-4
19		PLUG SPARK-NGK DR8EA	1	170M.1.5
20		CYLINDER (FOR 300cc)	1	173M.1-5
21		GASKET CYLINDER	1	170M.1-4
22		PIN DOWEL 10X14	2	1E52FM010011
23		PIPE BREATHER1	1	170M.1.2-4
24		CLIP 13MM	2	170M.20-4
25		THERMO UNIT	1	170M.1.4

31 CRANKSHAFT COMP



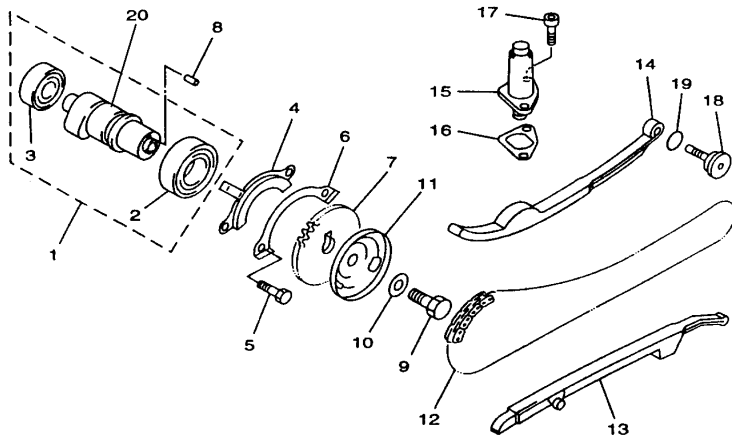
REF. No.	PART NO.	DESCRIPTION	Q'TY	图号
1		CRANKSHAFT ASSY	1	170M-A.3.2
2		NUT M16X1	1	170M.3-1
3		WASHER PLATE 16	1	170M.3-2
4		KEY WOODRUFF	1	170M.3-3
5		PISTON (FOR ATV300)	1	173M.3-6
6		PISTON RING SET (FOR ATV300)	1	173M.3-7/173M.
7		PISTON PIN	1	170M.3-5
8		CLIP	2	170M.3-4

32 VALVE



REF. No.	PART NO.	DESCRIPTION	Q'TY	图号
1		INTAKE VALVE	1	170M.12-11
2		EXHAUST VALVE	1	170M.12-3
3		SEAT SPRING VALVE	2	170M.12-12
4		SPRING VALVE INNER	2	170M.12-10
5		SPRING VALVE OUTER	2	170M.12-9
6		SEAL VALVE STEM	2	170M.12.1
7		RETAINER SPRING VALVE	2	170M.12-5
8		COTTER VALVE	4	170M.12-4
9		ROCKER ARM VALVE	2	170M.12.2
10		EXHAUST ROCKER SHAFT	1	170M.12-6
11		INTAKE ROCKER SHAFT	1	170M.12-8
12		O-RING 9X2	1	170M.12-7
13		ADJUSTING SCREW VALVE	2	170M.12-2
14		NUT M6X0.75	2	170M.12-1

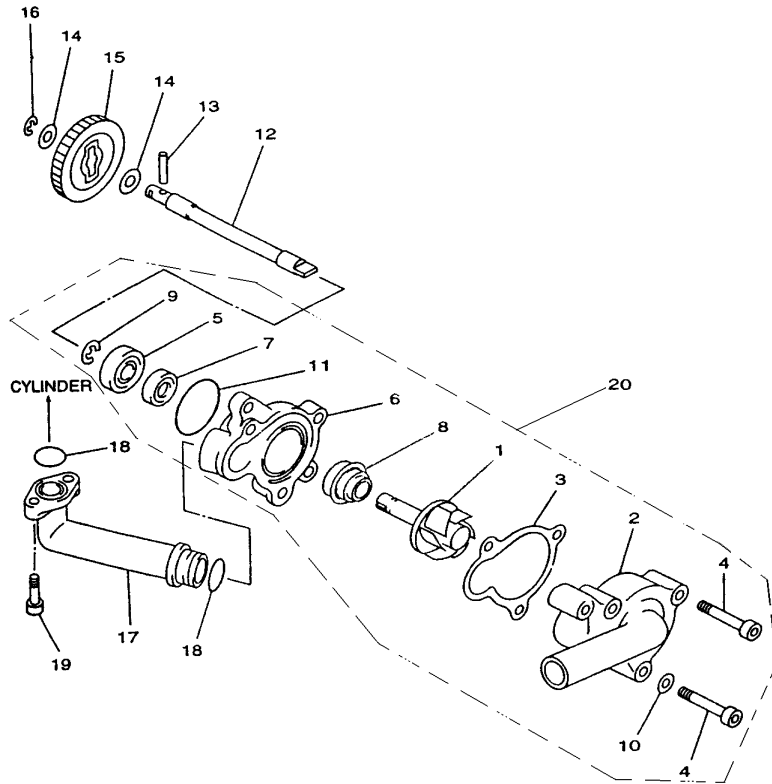
33 CAMSHAFT CHAIN



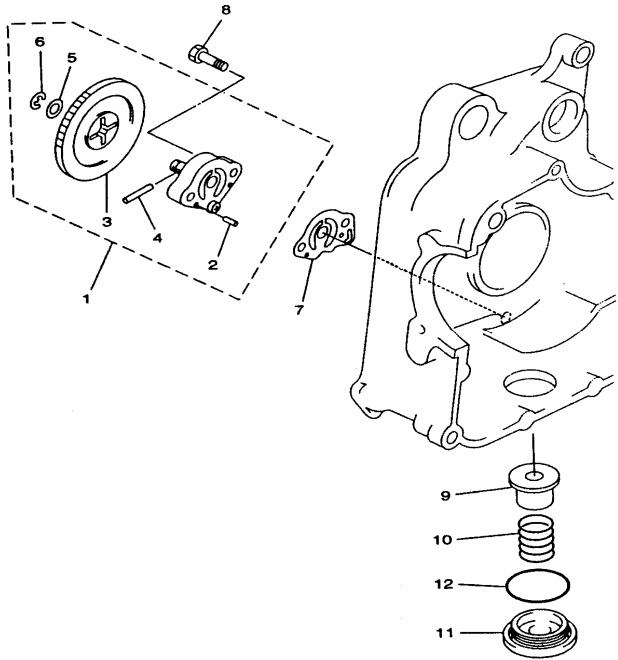
REF. No.	PART NO.	DESCRIPTION	Q'TY	图号
1		CAMSHAFT ASSY1	1	170M.2
2		BEARING	1	GB276
3		BEARING(B6202Z)	1	GB276
4		PLATE	1	170M.2-3
5		BOLT M6X12	2	GB5783
6		LOCK WASHER	1	170M.2-2
7		CAM CHAIN SPROCKET	1	170M.2-4
8		DOWEL PIN B4X10	1	GB119
9		BOLT M10X1.25X25	1	GB5786
10		WASHER PLATE 10	1	170M.2-6
11		BREATHER PLATE2	1	170M.2-5
12		CHAIN	1	170M.14.2
13		GUIDE STOPPER1	1	170M.14.4
14		GUIDE STOPPER2	1	170M.14.3
15		CAM CHAIN TENSIONER ASSY	1	170M.14.1
16		GASKET TENSIONER CASE	1	170M.14-1
17		SOCKET HEAD BOLT M6X14	2	GB70
18		CHAIN TENSIONER PIVOT BOLT	1	170M.14-2
19		O-RING 14.5X1.8	1	170M.14-3
20		CAMSHAFT	1	170M.2-1

REF. No.	PART NO.	DESCRIPTION	Q'TY	图号
1		IMPELLER SHAFT ASSY	1	170M.15.4
2		HOUSING COVER	1	170M.15-2
3		GASKET HOUSING COVER2	1	170M.15-5
4		SOCKET HEAD BOLT M6X35	3	GB70-M6X35
5		BEARING	1	GB276
6		WATER PUMP HOUSING	1	170M.15-3
7		OIL SEAL 10X21X5	1	170M.15.1
8		MECHANICAL SEAL	1	170M.15.2
9		CIRCLIP 9	1	170M.15-6
10		GASKET 6	1	170M.1-9
11		O-RING 33.5X2.65	1	GB3452.1
12		SHAFT	1	170M.15-1
13		DOWEL PIN C3X22	1	GB119
14		WASHER PLATE 8	2	170M.8-6
15		IMPELLER SHAFT GEAR	1	170M.15-4
16		CIRCLIP 8	1	GB894.1-8
17		JOINT	1	170M.15.3.1
18		O-RING 15.5X2.5	2	GB3452.1
19		SOCKET HEAD BOLT M6X15	2	GB70
20		WATER PUMP ASSY	1	170M.15

34 WATER PUMP

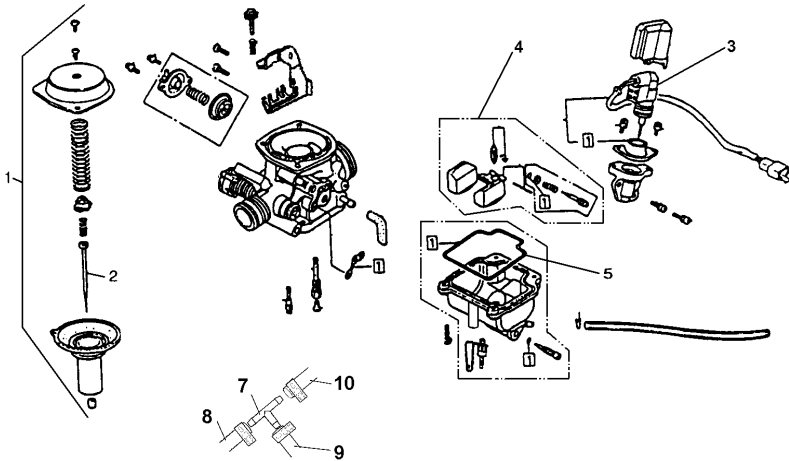


35 OIL PUMP



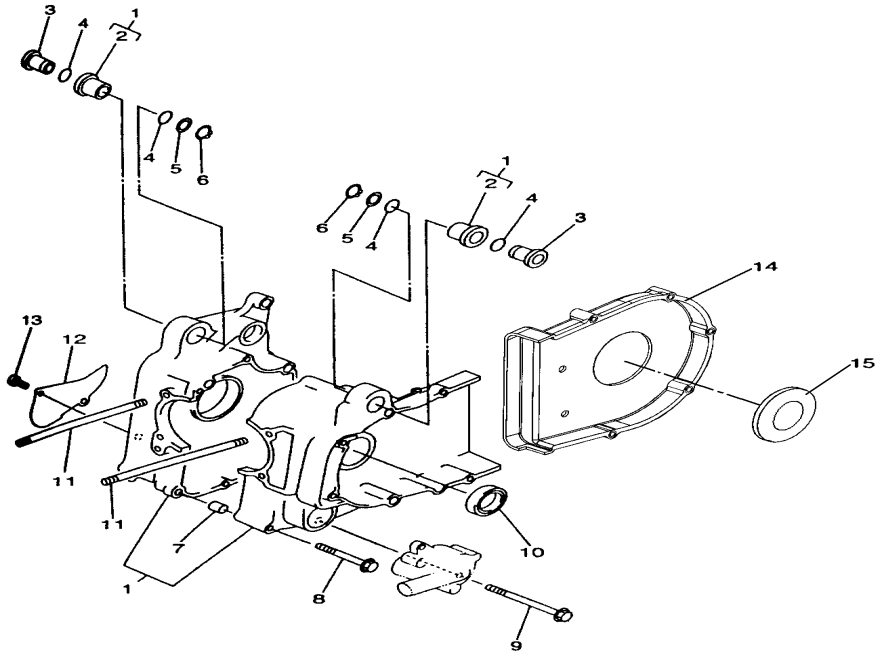
REF. No.	PART NO.	DESCRIPTION	Q'TY	图号
1		OIL PUMP ASSY	1	170M.8
2		DOWEL PIN 3X12	2	GB309-3X12
3		GEAR PUMP DRIVEN	1	170M.8-8
4		DOWEL PIN C3X22	1	GB309-3X22
5		WASHER PLATE	1	170M.8-6
6		CIRCLIP	1	GB896-6
7		GASKET	1	170M.8-1
8		SCREW M6X25	2	GB191-M6X25
9		OIL STRAINER	1	170M.4.6
10		COMPRESSION SPRING	1	170M.4-15
11		DRAIN PLUG	1	170M.4-14
12		O-RING 36X3.5	1	170M.4-13

36 CARBURETOR



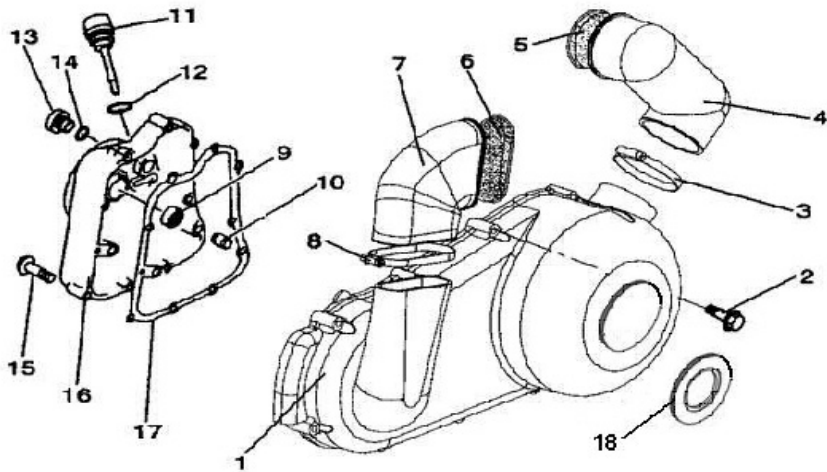
REF. No.	PART NO.	DESCRIPTION	Q'TY	图号
1		CARBURETOR ASSY (BOTTOM PULI	1	170M.13.2
		CARBURETOR ASSY (TOP PULL CAI	1	170M-A.13
2		JET NEEDLE SET	1	170M.13.2-1
3		AUTO CHOKE ASSEM	1	170M.13.2.1
4		FLOAT ASSY	1	170M.13.2.2
5		BOWL GASKET	1	170M.13.2-2
6		MAIN JET	1	170M.13.2-3
		IDLE JET		170M.13.2-4
7		FUEL HOSE COUPLER	1	170M-A.13-1
8		HOSE $\Phi 8 \times 4.5 \times 260$	1	170M-A.13.1
9		HOSE $\Phi 8 \times 4.5 \times 390$	1	170M-A.13.2
10		HOSE $\Phi 8 \times 4.5 \times 280$	1	170M-A.13.3

37 CRANKCASE



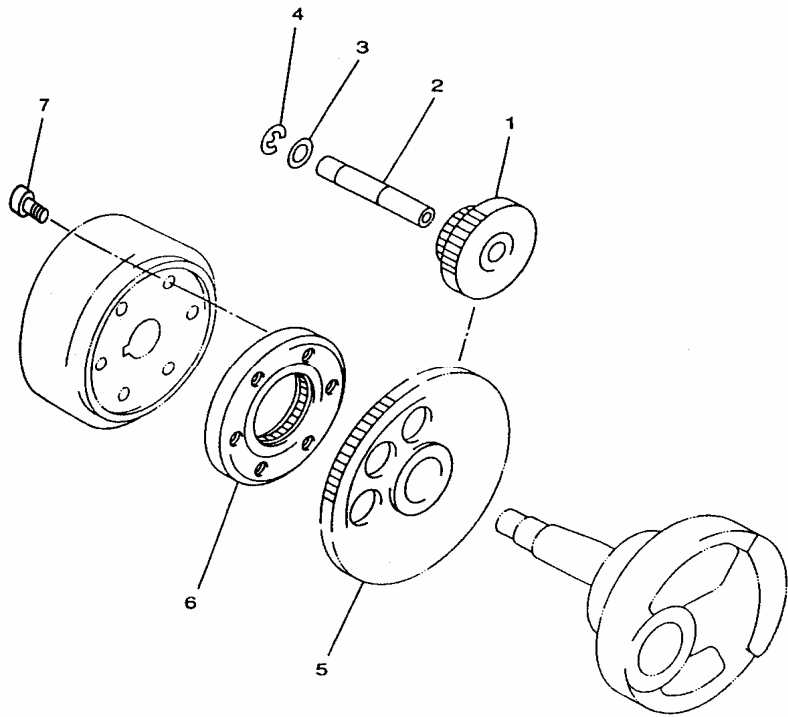
REF. No.	PART NO.	DESCRIPTION	Q'TY	图号
1		CRANKCASE ASSY	1	170M-A.4
2		HOLDER	2	170M.4.7
3		COLLAR	2	170M.4-17
4		O-RING16X2.5	4	170M.4-16
5		WASHER PLATE 16	2	170M.4-18
6		CIRCLIP 16	2	GB894.1-16
7		DOWEL PIN 10X14	2	1E52FM010011
8		FLANGE BOLT M6X70	4	170M.4-5
9		FLANGE BOLT M6X100	5	153FM.16-9
10		OIL SEAL 30X45X5	1	170M.4.3
11		STUD BOLT M8X245	4	170M.4-3
12		COVER CRANKCASE RIGHT	1	170M.4-12
13		SOCKET HEAD BOLT M6X14	2	GB70
14		REAR INSIDE COVER	1	LH260ATV.14.1.1
15		AIRPROOF COVER	1	LH260ATV.14.1-2

38 LEFT&RIGHT COVER



REF. No.	PART NO.	DESCRIPTION	Q'TY	图号
1		COVER CRANKCASE LEFT(WITH HIGH-POWER CLUTCH)	1	LH260ATV.14.2-2a
2		FLANGE BOLT M6X52	5	LH260ATV.14.1-3
3		HOSE CLAMP B	1	LH260ATV.14.2.4
4		JOINT A	1	LH260ATV.14.2-3
5		AIR STRAINER B	1	LH260ATV.14.2.3
6		AIR STRAINER A	1	LH260ATV.14.2.2
7		JOINT B	1	LH260ATV.14.2-1
8		HOSE CLAMP A	1	LH260ATV.14.2.1
9		OIL SEAL	1	170M.5.1
10		DOWEL PIN 10X14	4	1E52FM010011
11		OIL PLUG	1	170M.5-5
12		O-RING 18X2.65	1	GB3452.1
13		OIL PLUG	1	170M.5-4
14		O-RING 14X2.65	1	GB3452.1
15		FLANGE BOLT M6X40	15	170M.4-21
16		CAP COVER	1	170M.5-1
17		CRANKCASE COVER GASKET RIGHT	1	170M.5-2
18		RUBBER GASKET(WITH HIGH-POWER CLUTCH)	1	LH260ATV.14.2-4

39 STARTER

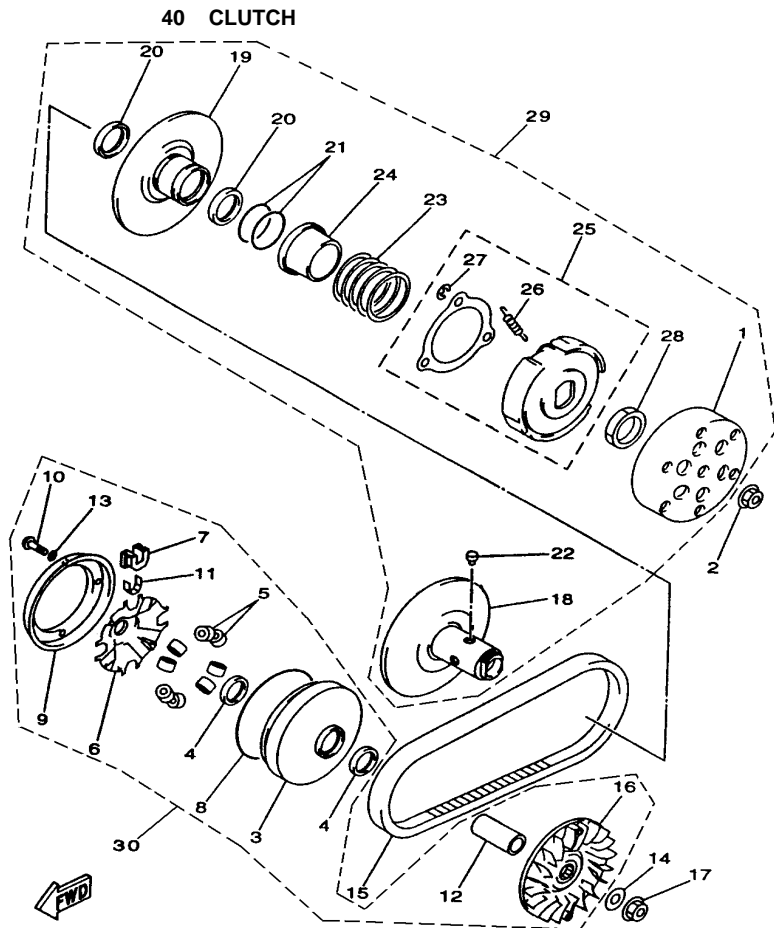


REF. No.	PART NO.	DESCRIPTION	Q'TY	图号
1		GEAR IDLER	1	170M.7.1
2		SHAFT	1	170M.7-2
3		WASHER 12	1	170M.7-1
4		CIRCLIP 12	1	GB894.1
5		GEAR REDUCTION	1	170M.7.2
6		STARTER CLUTCH	1	170M.7.3
7		SOCKET HEAD BOLT M8X16	3	GB70

REF. No. PART NO. DESCRIPTION

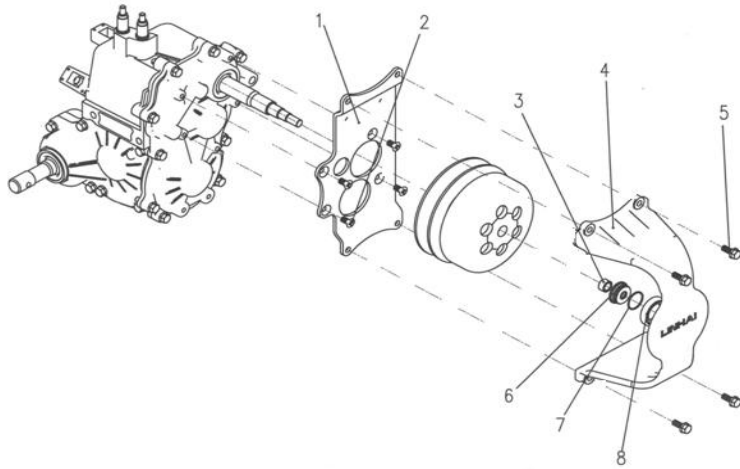
Q'TY

图号



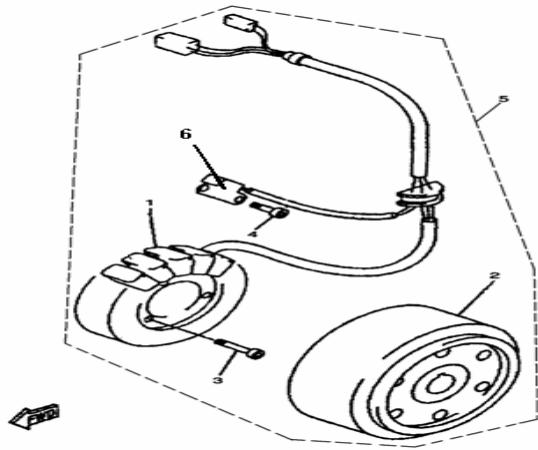
REF. No.	PART NO.	DESCRIPTION	Q'TY	图号
1		CLUTCH HOUSING COMP.	1	170M.9.2a.3
2		NUT M14X1	1	170M.9-2
3		PRIMARY SLIDING SHEAVE COMP	1	170M.9.1.1
4		OIL SEAL	2	170M.9.1-5
5		WEIGHT	8	170M.9.1.2
6		CAM	1	170M.9.1-4
7		SLIDER	4	170M.9.1-1
8		O-RING 118X2.5	1	170M.9.1-6
9		STOPPER	1	170M.9.1-2
10		PAN HEAD SCREW M4X12	4	GB818
11		SPACER 1	4	170M.9.1-3
12		COLLAR	1	170M.9-1
13		WASHER PLATE 4	4	170M.9.1-8
14		WASHER PLATE 14	1	170M.9-3
15		V-BELT	1	170M.9-4
16		SHEAVE PRIMARY FIXED	1	170M.9.1-7
17		NUT M14X1	1	170M.9-2
18		SECONDARY FIXED SHEAVE COMP.INCLUDE TWO BEARINGS ONE OIL SEAL AND ONE CIRCLIP	1	170M.9.2.1.1 170M.9.2.1-5 170M.9.2.1-6 170M.9.2.1-7 170M.9.2.1-8
19		SECONDARY SLIDING SHEAVE	1	170M.9.2a.1.2
20		OIL SEAL	2	170M.9.2.1-4
21		O-RING 45X1.8	2	170M.9.2.1-3
22		PIN GUIDE	4	170M.9.2.1-2
23		COMPRESSION SPRING	1	170M.9.2.1
24		SEAT SECONDARY SPRING	1	170M.9.2.1-1
25		CLUTCH CARRIER ASSY *	1	170M.9.2a.2
26		CLUTCH WEIGHT SPRING 1 *	3	170M.9.2a.2-4
27		CIRCLIP 8	3	GB896-8
28		NUT M36X1.5	1	170M.9.2-2
29		DRIVEN ASSY COMPLETE 1 *	3	170M.9.2a
30		DRIVE ASSY COMPLETE	1	170M.9.1

HIGH-POWER CLUTCH STAND ASSY



REF. No.	PART NO.	DESCRIPTION	Q'TY	图号
1		BRACKET 1	1	LH260ATV.14.3.1
2		SWCREW M8X12	4	GB/T819
3		SMALL SPACER	1	LH260ATV.14.3-2
4		BRACKET 2	1	LH260ATV.14.3-1
5		BOLT M8X22	4	GB/T16674.1
6		SPACER	1	170M.18-6
7		O-RING 26.5X1.8	1	GB/T3452.1
8		BEARING 6906Z	1	GB/T276

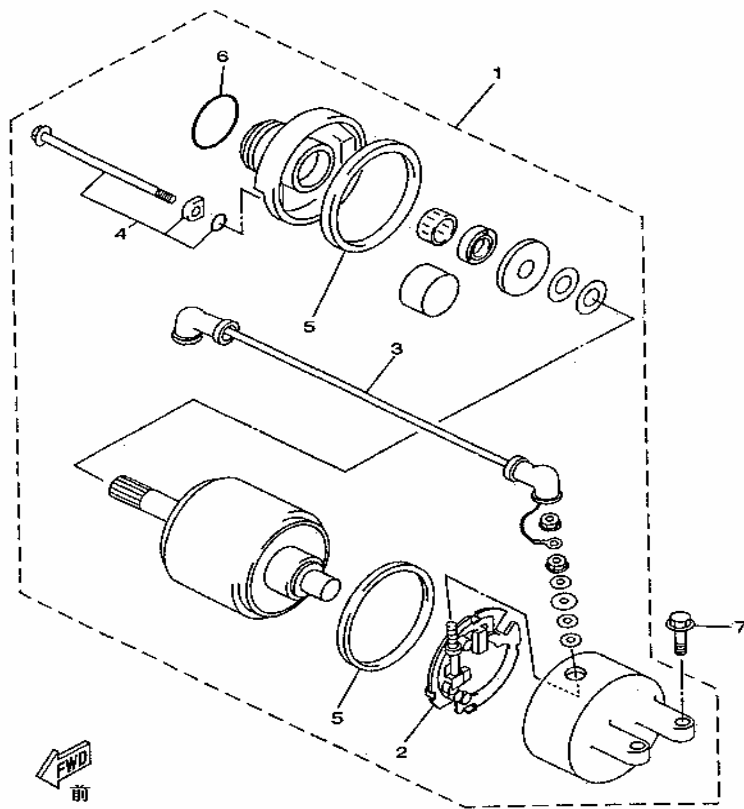
41 GENERATOR



49--1

REF. No.	PART NO.	DESCRIPTION	Q'TY	图号
1		STATOR ASSY (THE COLOR OF a IS WHITE)	1	170M.6.1.2
2		ROTOR ASSY (GREEN COLOR)	1	170M.6.1.1
3		SOCKET HEAD BOLT M5X25	3	GB70
4		SOCKET HEAD BOLT M5X12	2	GB70
5		GENERATOR ASSY	1	170M.6.1
6		PICK UP COIL	1	170M.6.1.2.2

42 GENERATOR

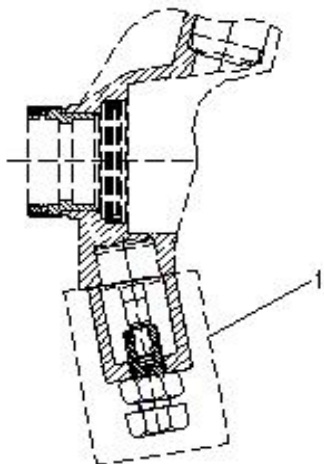


50

REF. No.	PART NO.	DESCRIPTION	Q'TY	图号
1		STARTING MOTOR ASSY	1	170M.16
2		BRUSH HOLD ASSY	1	170M.16.4
3		CORD,STARTER MOTOR	1	170M.16.2
4		BOLT	2	170M.16-2
5		GASKET	2	170M.16-3
6		O-RING 24.5X3	1	170M.16-1
7		FLANGE BOLT M6X25	2	170M.4-6

51

43SPECIAL TOOL KIT



REF. No.	PART NO.	DESCRIPTION	Q'TY	图号
1		TOOL FOR BALL JOINT,STRUT REMOVAL	1	LH260ATV.3.2.1GJ.1