


DIAMO® Aero **PARTS CATALOG**

First Edition September 2006





Copyright © 2004-2006 LS MotorSports, LLC. Reproduction without written permission is completely forbidden.

The information and diagrams included in this catalog are the exclusive property of LS MotorSports, LLC and may not be reproduced in any media without the express written consent of LS MotorSports, LLC.


For more information contact:

LS MotorSports, LLC
12505 Reed Rd, Suite 145
Sugar Land, TX 77478
281-277-6140

*Information contained in this publication is subject to change without notice.
For the most up to date information please contact DIAMO USA or an Authorized Dealer*



www.DIAMOUSA.com



Copyright © 2004-2006 LS MotorSports, LLC. Reproduction without written permission is completely forbidden.

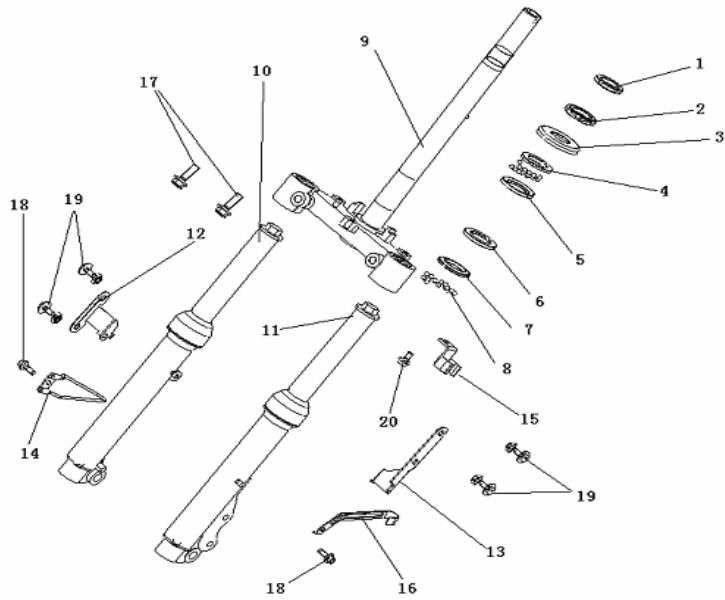
CONTENTS

PAGE	TITLE
4	DOCUMENTS
5	FRONT FORK ASSY
6	EXHAUST
7	REAR SHOCK ABSORBER
8	FRONT WHEEL
9	REAR WHEEL
10	FRONT DISC BRAKE SYSTEM
11	REAR DISC BRAKE SYSTEM
12	HANDLEBAR
13	FUEL TANK
14	SEAT
15	AIR CLEANER ASSY
16	ELECTRICAL
17	LIGHTING
18	SPEEDOMETER
19	REAR WHEEL MOUNTING BRACKET
20	TOOL KIT
21	HANDLEBAR COVER
22	FRONT COVER
23	LOWER DASH
24	FLOORBOARD AND LOWER COVER
25	SIDE COVER
26	FENDERS
27	LUGGAGE COMPARTMENT
28	REAR WING
29	FRAME
30	MAINSTAND
31	ENGINE SUSPENSION BRACKET
32	SIDE STAND

Fig. 00 Documents

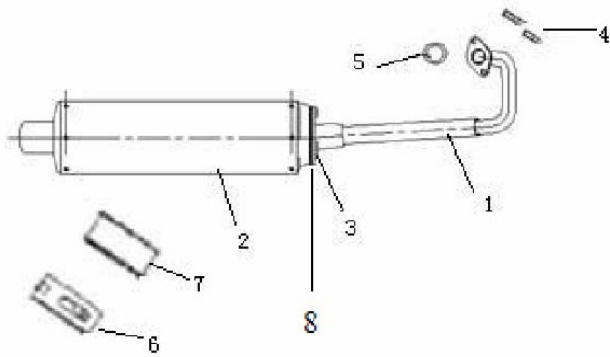
Ref	Code	Part Number	Description	Qty
1		06-029-0001	Owners Manual	1
2		06-029-0002	Parts Catalog CD	1
3		06-029-0004	NA	1

Fig. 01 Front Fork Assy



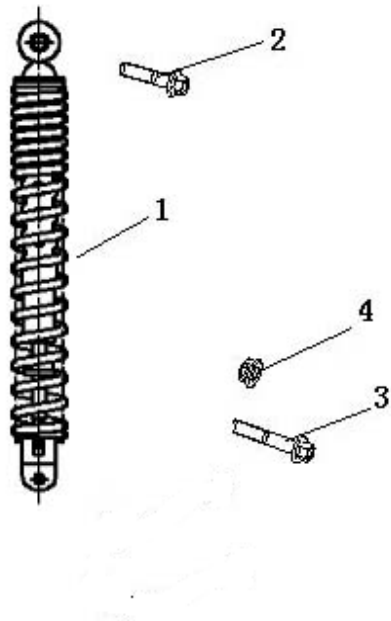
Ref	Code	Part Number	Description	Qty
1	G4P001A1E1U0	06-029-0101	UPPER NUT, STEERING STEM	1
2	G4P002A1E1U0	06-029-0102	LOWER NUT, STEERING STEM	1
3	G4P003A1E1U0	06-029-0103	DUST CAP, UPPER BEARING	1
4	G4P004A1E1U0	06-029-0104	UPPER BEARING	1
5	G4P004A1E1U0	06-029-0105	RACE, UPPER BEARING	1
6	G4P006A1E1U0	06-029-0106	RACE, LOWER BEARING	1
7	G4P007A1E1U0	06-029-0107	LOWER BEARING	1
8	B308VVV00005	06-029-0108	STEEL BALL	42
9	G4A100A5E1U0	06-029-0109	STEERING STEM	1
10	G4A200A5E1U0	06-029-0110	FRONT SHOCK ABSORBER, RGT	1
11	G4A300A5E1U0	06-029-0111	FRONT SHOCK ABSORBER, LFT	1
12	G4A400A5E1U0	06-029-0112	MOUNTING PLATE, FRONT FENDER, RGT	1
13	G4A500A5E1U0	06-029-0113	MOUNTING PLATE, FRONT FENDER, LFT	1
14	G4A006A5E1U0	06-029-0114	NA	
15	G4P008A1E1U0	06-029-0115	NA	
16	G4P009A1E1U0	06-029-0116	NA	
17	B5789VV10030	06-029-0117	BOLT M10X1.25X16	2
18	B5787VV06016	06-029-0118	NA	
19	B90746V06016	06-029-0119	NA	
20	B5789VV06016	06-029-0120	NA	

Fig. 02 Exhaust



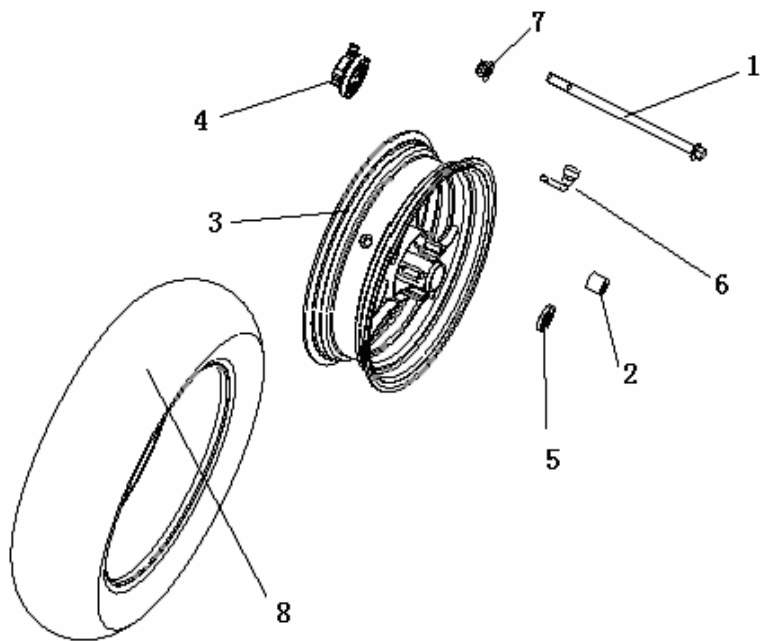
Ref	Code	Part Number	Description	Qty
1	E1D100A6E1U0	06-029-0201	PIPE, MUFFLER TO CYLINDER	1
2	E1D200B3E1U0	06-029-0202	MUFFLER	1
3	B5789VV10015	06-029-0203	BOLT M10X15	3
4	E1P001A0E1U0	06-029-0204	NUT M6	2
5	E1D005B0E1U0	06-029-0205	GASKET, EXHAUST	1
6	E1P003B0E1U0	06-029-0206	HANGER CLAMP, MUFFLER	2
7	E1P004C0E1U0	06-029-0207	RUBBER GASKET, MUFFLER HANGER CLAMP	2
8		06-029-0208	GASKET, PIPE TO MUFFLER	1

Fig. 03 Rear Shock Absorber



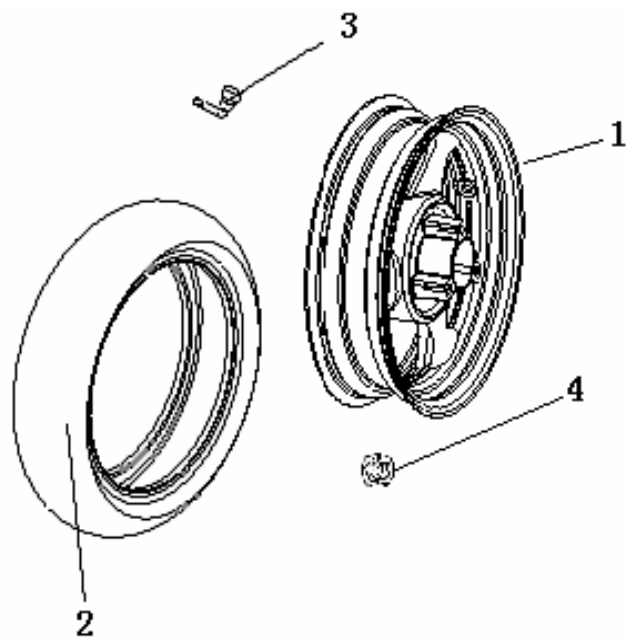
Ref	Code	Part Number	Description	Qty
1	G5A100A4E1U0	06-029-0301	REAR SHOCK ABSORBER	1
2	B5789VV10030	06-029-0302	BOLT M10*1.25*30	1
3	B5789VV08045	06-029-0303	BOLT M8*45	1
4	B6177VV08000	06-029-0304	NUT M8	1

Fig. 04 Front Wheel



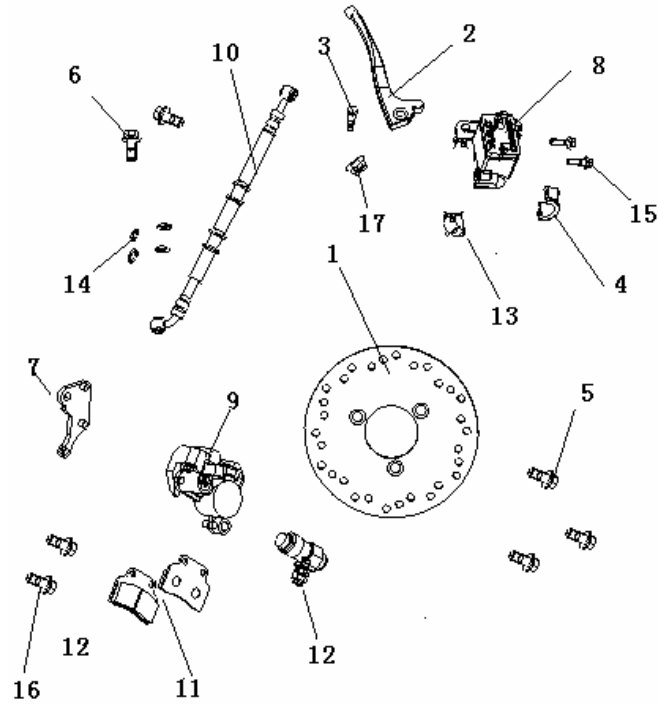
Ref	Code	Part Number	Description	Qty
1	G1P001A1E1U0	06-029-0401	BOLT, FRONT AXLE	1
2	G1P002A1E1U0	06-029-0402	SPACER	1
3	G1P101A4E1U0	06-029-0403	FRONT WHEEL - PAINTED	1
4	G1A200B1E1U0	06-029-0404	SPEEDOMETER GEAR	1
5	G1A003B1E1U0	06-029-0405	DUST SEAL	1
6	B3900VVZ2011	06-029-0406	VALVE STEM	1
7	B61872V12125	06-029-0407	NUT M12X1.25, FRONT AXLE	1
8	B2983VV13013	06-029-0408	TIRE 120/70-12	1

Fig. 05 Rear Wheel



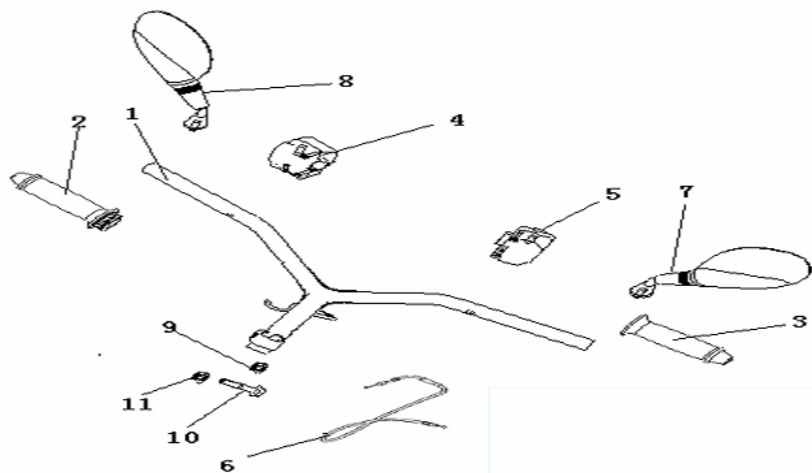
Ref	Code	Part Number	Description	Qty
1	G2D010A2E1U0	06-029-0501	REAR WHEEL - PAINTED	1
2	B2983VV13013	06-029-0502	TIRE 120/70-12	1
3	B3900VVZ2011	06-029-0503	VALVE STEM	1
4	B61872V16015	06-029-0504	NUT, REAR AXLE	1

Fig. 06 Front Disc Brake System



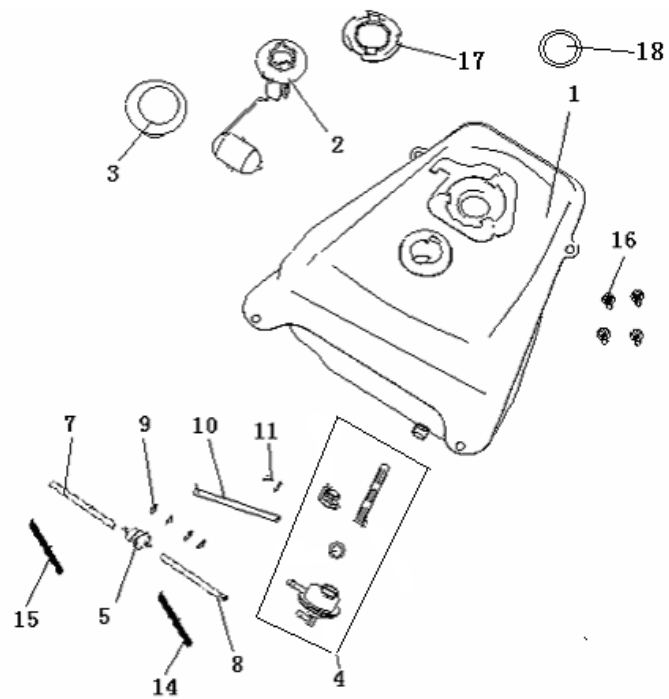
Ref	Code	Part Number	Description	Qty
1	G7P101A3E1U0	06-029-0601	REAR BRAKE DISC	1
2	G7P102A1E1U0	06-029-0602	LEVER, DISC BRAKE	1
3	G7P103A1E1U0	06-029-0603	BOLT, BRAKE LEVER	1
4	G7P104A1E1U0	06-029-0604	CLAMP, FR MASTER CYLINDER	1
5	G7P105A3E1U0	06-029-0605	BOLT, FRONT BRAKE DISC	3
6	G7P106A1E1U0	06-029-0606	BOLT, BRAKE HOSE	2
7	G7P121B1E1U0	06-029-0607	BRACKET, FR BRAKE CALIPER	1
8	G7A110A1E1U0	06-029-0608	MASTER CYLINDER, FR BRAKE	1
9	G7A120A1E1U0	06-029-0609	CALIPER, FR BRAKE	1
10	G7D130A7E1U0	06-029-0610	HOSE, FRONT BRAKE	1
11	G7D140A1E1U0	06-029-0611	BRAKE PAD SET, FR BRAKE	1
12	G7D160A1E1U0	06-029-0612	ABS VALVE	1
13	G7D170B1E1U0	06-029-0613	SWITCH, BRAKE LIGHT	1
14	G7D180A1E1U0	06-029-0614	WASHER, BRAKE HOSE	4
15	B16674V06025	06-029-0615	BOLT M6x25, MASTER CYLINDER CLAMP	2
16	B5789VV08030	06-029-0616	BOLT M8X30, CALIPER	2
17	B61871V06000	06-029-0617	NUT M6, BRAKE LEVER	1

Fig. 08 Handlebar



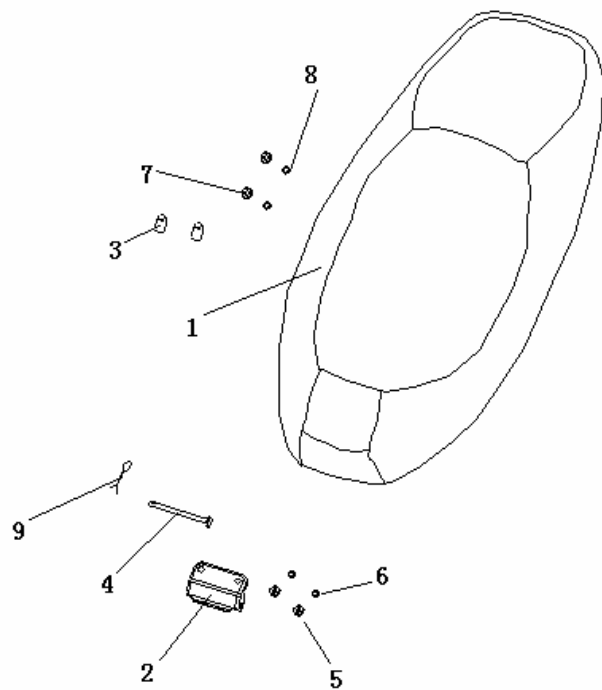
Ref	Code	Part Number	Description	Qty
1	G6D100A6E1U0	06-029-0801	HANDLEBAR	1
2	G6D200B2E1U0	06-029-0802	GRIP, RIGHT	1
3	G6D300C2E1U0	06-029-0803	GRIP, LEFT	1
4	G6A400B1E1U0	06-029-0804	RIGHT COMBINATION SWITCH	1
5	G6A600B1E1U0	06-029-0805	LEFT COMBINATION SWITCH	1
6	G6D700B1E1U0	06-029-0806	CABLE, THROTTLE	1
7	G6D800B1E1U0	06-029-0807	LEFT MIRROR	1
8	G6D900B1E1U0	06-029-0808	RIGHT MIRROR	1
9	G6P001C1E1U0	06-029-0809	BUSHING, HANDLEBAR	1
10	B70VVVV10055	06-029-0810	BOLT M10X1.25X55	1
11	B6170VV10125	06-029-0811	NUT M10X1.25	1

Fig. 09 Fuel Tank



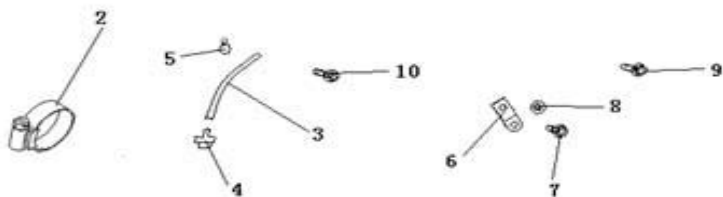
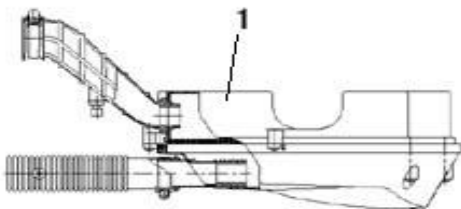
Ref	Code	Part Number	Description	Qty
1	E3D100A0E1U0	06-029-0901	FUEL TANK	1
2	E3A200B0E1U0	06-029-0902	FUEL SENSOR	1
3	E3A300A0E1U0	06-029-0903	FUEL TANK CAP	1
4	E3A400A0E1U0	06-029-0904	PETCOCK VALVE ASSY	1
5	E3D500B0E1U0	06-029-0905	FILTER ASSY	1
6	E3D600B0E1U0	06-029-0906	NA	1
7	B10542V45260	06-029-0907	LOWER HOSE, FUEL FILTER	1
8	B10542V45150	06-029-0908	UPPER HOSE, FUEL FILTER	1
9	B621VVV85000	06-029-0909	CLAMP, FUEL HOSE	4
10	B10542V04290	06-029-0910	VACCUM HOSE	1
11	B621VVV65000	06-029-0911	CLAMP, VACCUM HOSE	2
12	E3P001C0E1U0	06-029-0912	NA	1
13	E3P002B0E1U0	06-029-0913	NA	1
14	E3P003B0E1U0	06-029-0914	PROTECTING SPRING 1	1
15	E3P004B0E1U0	06-029-0915	PROTECTING SPRING 2	1
16	GB5789VV06012	06-029-0916	BOLT M6*12	4
17	E3P006B0E1U0	06-029-0917	RETAINER, FUEL SENSOR	1
18	E3P005B0E1U0	06-029-0918	GASKET, FUEL SENSOR	1

Fig. 10 Seat



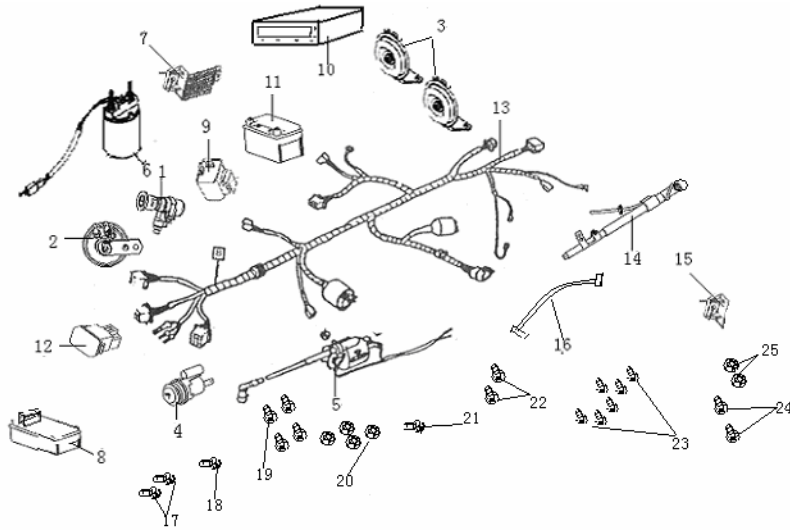
Ref	Code	Part Number	Description	Qty
1	H1A100C5E1U0	06-029-1001	SEAT	1
2	H1P001B1E1U0	06-029-1002	HINGE BRACKET, SEAT	1
3	H1P002C1E1U0	06-029-1003	RUBBER STOP	2
4	H1P003B1E1U0	06-029-1004	AXLE, SEAT HINGE	1
5	B6177VV06000	06-029-1005	NUT M6	2
6	B93VVVV06000	06-029-1006	SPLIT WASHER	2
7	B6177VV06000	06-029-1007	NUT M6	2
8	B93VVVV06000	06-029-1008	SPLIT WASHER	2
9	B91VVVV02000	06-029-1009	PIN, SEAT HINGE AXLE	1

Fig. 11 Air Cleaner Assy



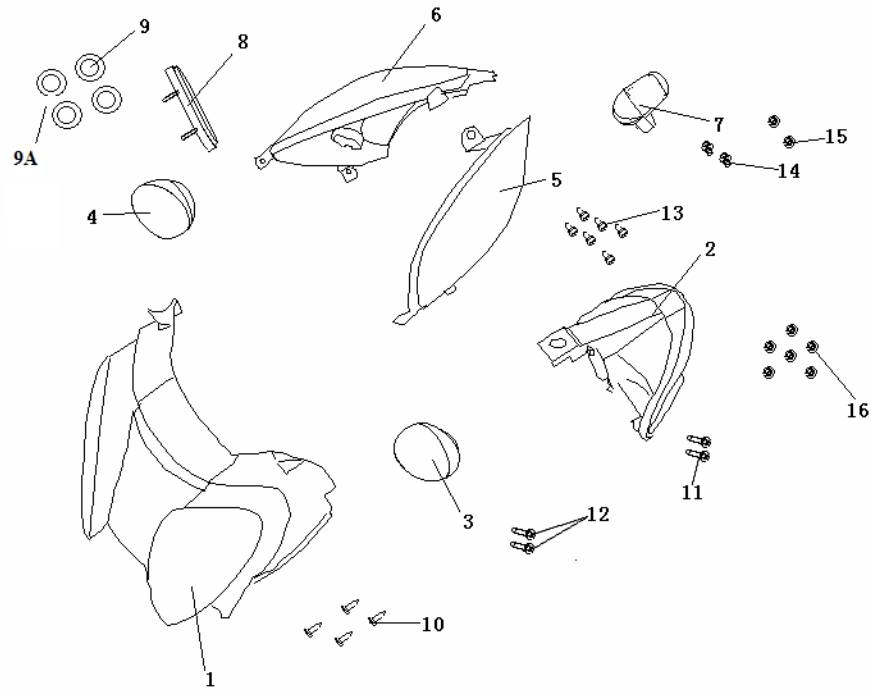
Ref	Code	Part Number	Description	Qty
1	E2A001A5G5C0	06-029-1101	AIR CLEANER ASSY - PAINTED	1
1A		06-029-1101A	ELEMENT, FOAM AIR CLEANER	1
2	E2A002A5G5C0	06-029-1102	CLAMP, INTAKE HOSE	1
3	E2P001C3G5C0	06-029-1103	OUTLET OIL HOSE	1
4	E2P002C3G5C0	06-029-1104	PLUG, OIL HOSE	1
5	B621VVV85000	06-029-1105	CLAMP, OIL HOSE	1
6	E2P003C1G5C0	06-029-1106	FIXING BRACKET, AIR CLEANER ASSY	1
7	B5789VV06025	06-029-1107	BOLT M6x25	1
8	B6177VV06000	06-029-1108	NUT M6	1
9	B5789VV06025	06-029-1109	BOLT M6x25	1
10	B16674V06025	06-029-1110	SCREW M6x25	1

Fig. 12 Electrical



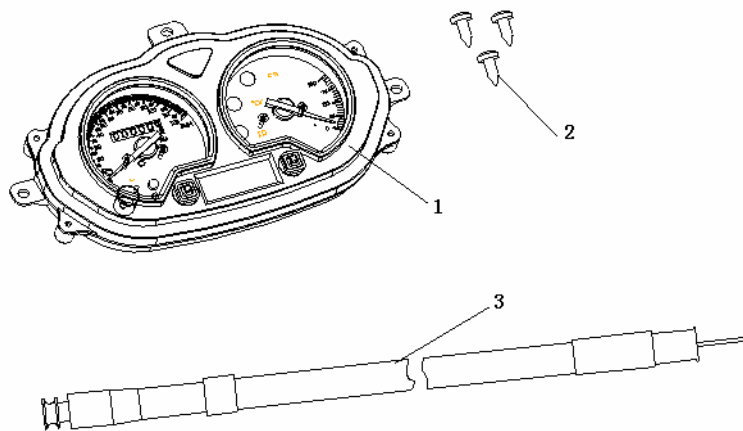
Ref	Code	Part Number	Description	Qty
1	A3A010B1E1U0	06-029-1201	IGNITION SWITCH	1
2	A3D020B1E1U0	06-029-1202	HORN	1
3	A3D030C1E1U0	06-029-1203	FRONT SPEAKER	2
4	A3D040B1E1U0	06-029-1204	12 VOLT OUTLET	1
5	A3D050B1E1U0	06-029-1205	IGNITION COIL	1
6	A3A060B1E1U0	06-029-1206	STARTER RELAY	1
7	A3D070B1E1U0	06-029-1207	VOLTAGE REGULATOR	1
8	A3D080B1E1U0	06-029-1208	CDI	1
9	A3D090B1E1U0	06-029-1209	FLASHER RELAY	1
10	A3A110B1E1U0	06-029-1210	CD PLAYER	1
11	A3A120B1E1U0	06-029-1211	BATTERY - NA	1
12	A3A130B1E1U0	06-029-1212	FUSE AND FUSE BOX	1
13	A3A140B1E1U0	06-029-1213	WIRING HARNESS	1
14	A3A150B1E1U0	06-029-1214	ANTENNA	1
15	A3A160B1E1U0	06-029-1215	LOCK, SEAT - incl in 06-029-1201	1
16	A3D170B1E1U0	06-029-1216	CABLE, SEAT	1
17	B5789VV06015	06-029-1217	BOLT M6*15	2
18	B5789VV06015	06-029-1218	BOLT M6X15	1
19	B818VVV04008	06-029-1219	BOLT M4x8	4
20	B6170VVV04000	06-029-1220	NUT M4	4
21	B5789VV06015	06-029-1221	BOLT M6X15	1
22	B5789VV06015	06-029-1222	BOLT M6X15	2
23	B818VVV05008	06-029-1223	BOLT M5X8	6
24	B5789VV06010	06-029-1224	BOLT M6X10	2
25	B6177VV06000	06-029-1225	NUT M6	2

Fig. 13 Lighting



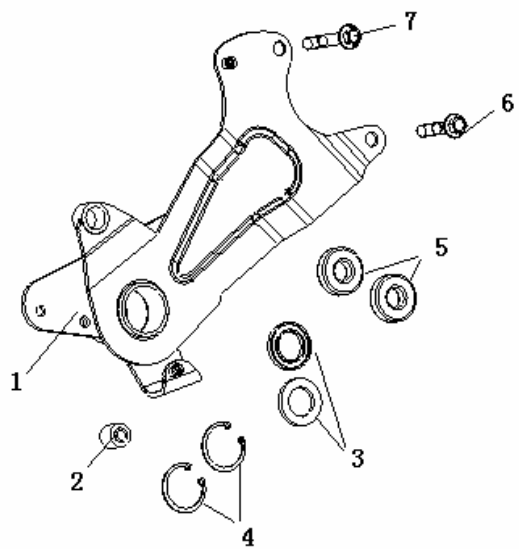
Ref	Code	Part Number	Description	Qty
1	A2A010A5E1U0	06-029-1301	HEADLIGHT ASSY	1
1A		06-029-1301A	HEADLIGHT WIRING HARNESS	1
1B		06-029-1301B	BULB, HEADLIGHT	2
1C		06-029-1301C	BULB, PARKING LIGHT	2
2	A2A020A5E1U0	06-029-1302	TAIL LIGHT LENS	1
2A		06-029-1302A	TAIL LIGHT WIRING HARNESS	1
2B		06-029-1302B	BULB, TAIL LIGHT	1
3	A2A030B1E1U0	06-029-1303	FRONT TURN SIGNAL, LEFT	1
4	A2A040B1E1U0	06-029-1304	FRONT TURN SIGNAL, RIGHT	1
4A		06-029-1304A	BULB, FR TURN SIGNAL	2
5	A2A050B2E1U0	06-029-1305	REAR TURN SIGNAL, LEFT	1
5A		06-029-1305A	WIRING HARNESS, LFT RR TURN SIGNAL	1
6	A2A060B2E1U0	06-029-1306	REAR TURN SIGNAL, RIGHT	1
6A		06-029-1306A	WIRING HARNESS, RGT RR TURN SIGNAL	1
6B		06-029-1306B	BULB, RR TURN SIGNAL	2
7	A2A070B1E1U0	06-029-1307	NA	1
8	A2A080B1E1U0	06-029-1308	REAR REFLECTOR	1
9	A2A090B1E1U0	06-029-1309	REFLECTOR, RR RED	2
9A		06-029-1309A	REFLECTOR, FR ORANGE	2
10	B845VVV48016	06-029-1310	SELF TAPING ST4.8*16	4
11	B818VVV06020	06-029-1311	BOLT M6*20	2
12	A2P031B1E1U0	06-029-1312	BOLT M6*20	2
13	B845VVV48016	06-029-1313	SELF TAPING ST4.8*16	6
14	B5789VV05010	06-029-1314	BOLT M5*10	2
15	B6177VV05000	06-029-1315	NUT M5	2
16	B6177VV05000	06-029-1316	NUT M5	6

Fig. 14 Speedometer



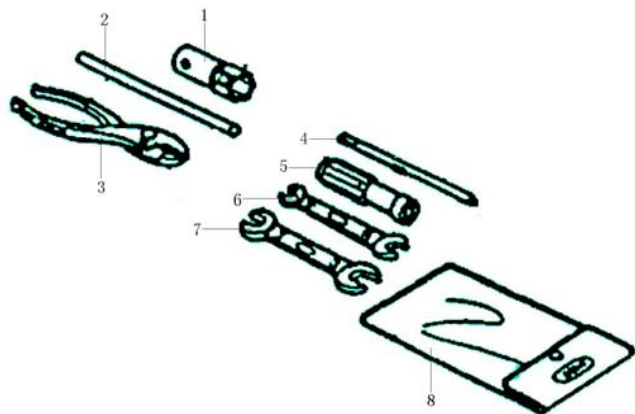
Ref	Code	Part Number	Description	Qty
1	A1A100A3E1U0	06-029-1401	INSTRUMENT CLUSTER	1
2	A1A200A7E1U0	06-029-1402	SCREW	3
3	B845VVV48013	06-029-1403	SPEEDOMETER CABLE	1

Fig. 15 Rear Wheel Mounting Bracket



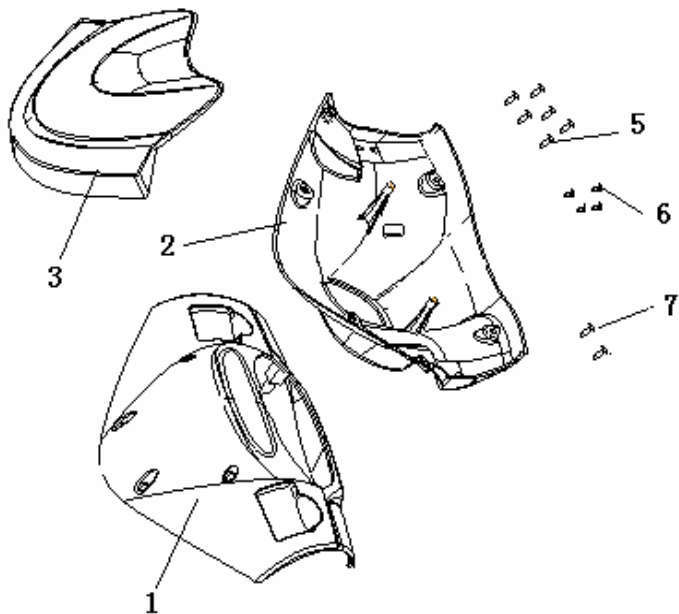
Ref	Code	Part Number	Description	Qty
1	F7D100A3E1U0	06-029-1501	REAR WHEEL MOUNTING BRACKET	1
2	F7D200A1E1U0	06-029-1502	BUSHING, SHOCK MOUNT	1
3	F7D300A2E1U0	06-029-1503	DUST SEAL	2
4	B893AVV00040	06-029-1504	CIRCLIP	2
5	B278VVV6203Z	06-029-1505	BEARING 6203Z	2
6	B5789VV10055	06-029-1506	BOLT M10*1.25*55	1
7	B5789VV10070	06-029-1507	BOLT M10*1.25*70	1

Fig. 16 Tool Kit



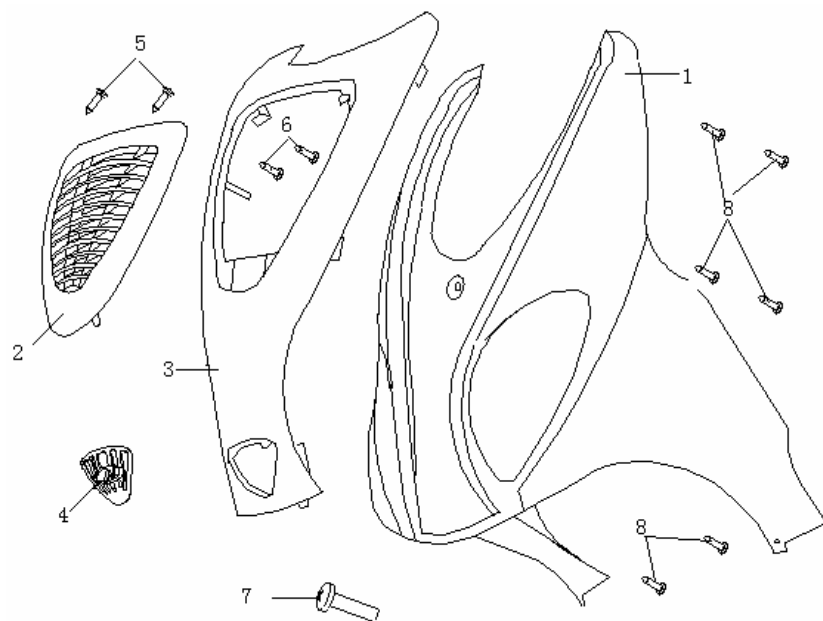
Ref	Code	Part Number	Description	Qty
1	A7P001C1E1U0	06-029-1601	SOCKET SPANNER	1
2	A7P002C2E1U0	06-029-1602	HANDLE	1
3	A7P003C2E1U0	06-029-1603	PLIERS	1
4	A7P004C2E1U0	06-029-1604	SCREW DRIVER	1
5	A7A001C1E1U0	06-029-1605	GRIP, SCREW DRIVER	1
6	A7P005C2E1U0	06-029-1606	OPEN-ENDED SPANNER 8x10	1
7	A7P006C2E1U0	06-029-1607	OPEN-ENDED SPANNER 12x14	1
8	A7P007C2E1U0	06-029-1608	TOOL BAG	1
9		06-029-1609	COMPLETE KIT	1

Fig. 17 Handlebar Cover



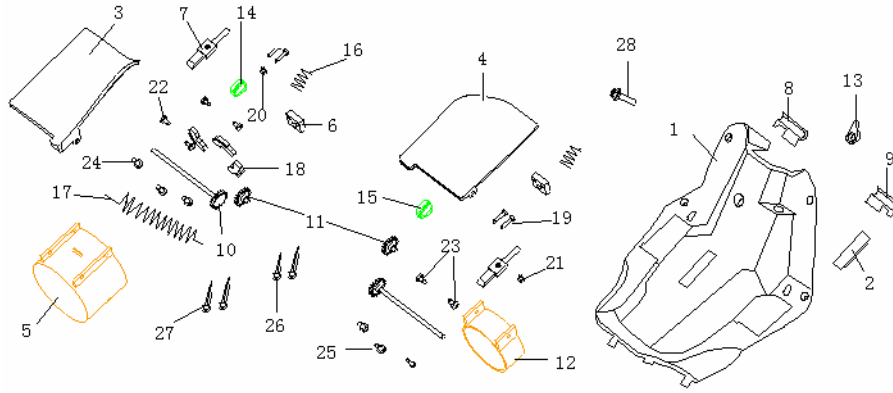
Ref	Code	Part Number	Description	Qty
1	H2P101CXE1U0	06-029-1701	UPPER COVER, STEERING BAR - PAINTED	1
2	H2P102CXE1U0	06-029-1702	LOWER COVER, STEERING BAR - PAINTED	1
3	H2P103CXE1U0	06-029-1703	WINDSCREEN, CARBON FIBER	1
4		06-029-1704	NA	1
5	B845VVV48013	06-029-1705	SELF TAPING ST4.8*13	6
6	B845VVV35095	06-029-1706	SELF TAPING ST 3.5*9.5	4
7	B845VVV48013	06-029-1707	SELF TAPING ST 4.8*13	2

Fig. 18 Front Cover



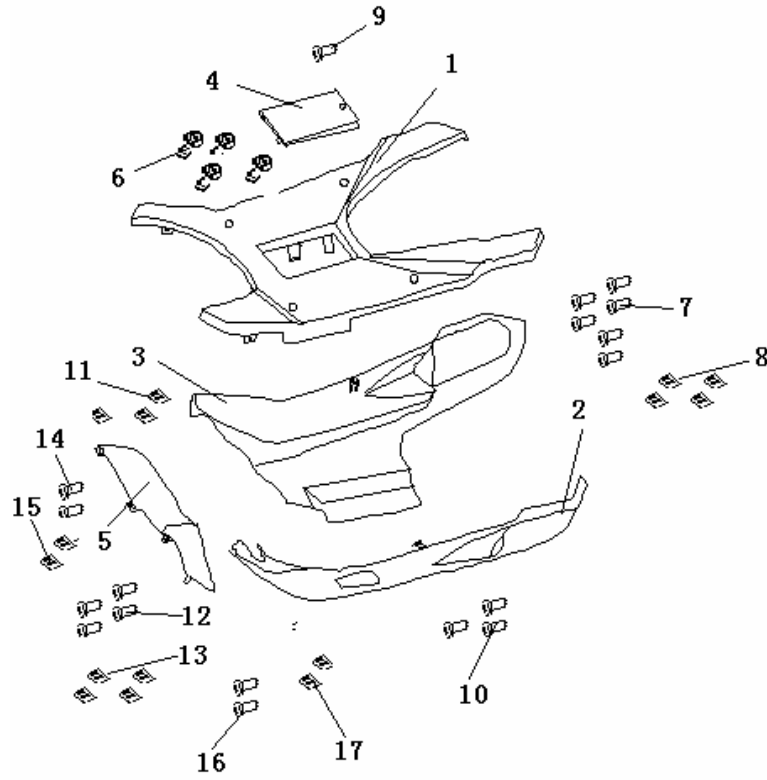
Ref	Code	Part Number	Description	Qty
1	H2P201CXE1U0	06-029-1801	FRONT COVER - PAINTED	1
2	H2P202CXE1U0	06-029-1802	GRILL, FRONT COVER - PAINTED	1
3	H2P203CXE1U0	06-029-1803	MIDDLE COVER, FRONT COVER - BLACK	1
4	H2P204CXE1U0	06-029-1804	EMBLEM	1
5	B845VVV48016	06-029-1805	SELF TAPING ST4.8*16	2
6	B845VVV42016	06-029-1806	SELF TAPING ST4.2*16	2
7	H2P205CXE1U0	06-029-1807	BOLT M6*10	1
8	B845VVV48016	06-029-1808	SCREW	6

Fig. 19 Lower Dash



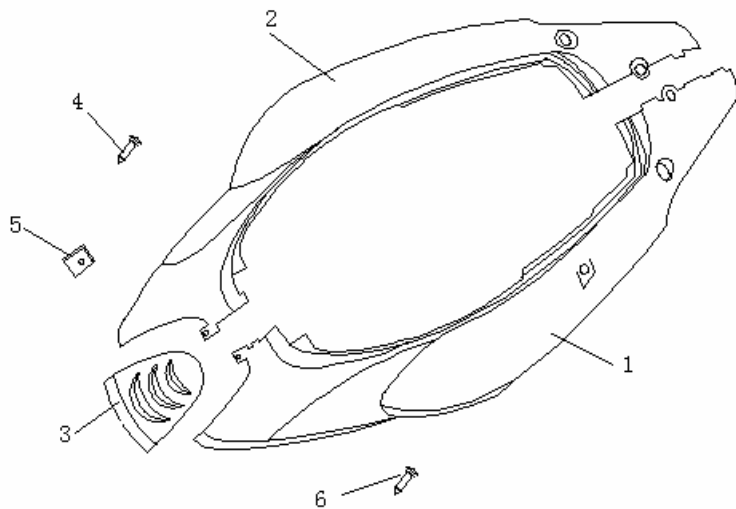
Ref	Code	Part Number	Description	Qty
1	H2P301CXE1U0	06-029-1901	LOWER DASH COVER	1
2	H2P302CXE1U0	06-029-1902	COVER, FRAME NUMBER	1
3	H2P303CXE1U0	06-029-1903	LEFT COVER	1
4	H2P304CXE1U0	06-029-1904	RIGHT COVER	1
5	H2P305CXE1U0	06-029-1905	CUP SEAT	1
6	H2P306CXE1U0	06-029-1906	FIXING PLATE	2
7	H2P307CXE1U0	06-029-1907	PIN	2
8	H2P308CXE1U0	06-029-1908	L FIXING PLATE	1
9	H2P309CXE1U0	06-029-1909	R FIXING PLATE	1
10	H2P310CXE1U0	06-029-1910	GEAR 1	2
11	H2P311CXE1U0	06-029-1911	GEAR 2	2
12	H2P312CXE1U0	06-029-1912	HOLDER, 12 VOLT OUTLET	1
13	H2P313CXE1U0	06-029-1913	HOOK, HELMET	1
14	H2P314CXE1U0	06-029-1914	LEFT BUTTON	1
15	H2P315CXE1U0	06-029-1915	RIGHT BUTTON	1
16	H2P316CXE1U0	06-029-1916	SPRING 1	2
17	H2P317CXE1U0	06-029-1917	SPRING 2	2
18	H2P318CXE1U0	06-029-1918	FIXING RUBBER PLATE, CUP SEAT	3
19	B845VVV29016	06-029-1919	SELF TAPING BOLT ST2.9*16	4
20	B845VVV29095	06-029-1920	SELF TAPING BOLT ST2.9*9.5	1
21	B845VVV29095	06-029-1921	SELF TAPING BOLT ST2.9*9.5	1
22	B845VVV35095	06-029-1922	SELF TAPING BOLT ST3.5*9.5	4
23	B845VVV42095	06-029-1923	SELF TAPING BOLT ST4.2*9.5	2
24	B845VVV42016	06-029-1924	SELF TAPING BOLT ST4.2*16	3
25	B845VVV42016	06-029-1925	SELF TAPING BOLT ST4.2*16	3
26	B91VVVV02000	06-029-1926	PIN 2	2
27	B91VVVV02000	06-029-1927	PIN 2	2
29	B5789VV06020	06-029-1928	BOLT M6*20	1

Fig. 20 Floorboard and Lower Cover



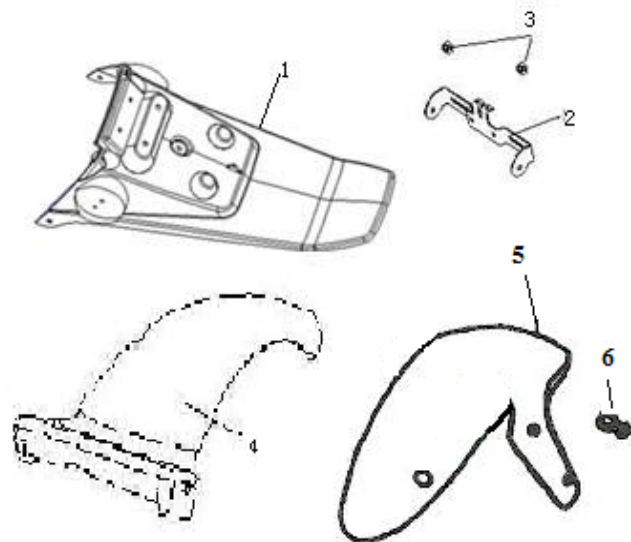
Ref	Code	Part Number	Description	Qty
1	H2P401CXE1U0	06-029-2001	FLOORBOARD	1
2	H2P402CXE1U0	06-029-2002	LFT LOWER COVER - PAINTED	1
3	H2P403CXE1U0	06-029-2003	RGT LOWER COVER - PAINTED	1
4	H2P404CXE1U0	06-029-2004	BATTERY COVER	1
5	H2P405CXE1U0	06-029-2005	LINER, FRONT COVER - PAINTED	1
6	B5789VV06015	06-029-2006	BOLT M6*15	4
7	B845VVV48016	06-029-2007	SELF TAPING ST4.8*16	6
8	H0P000C0E1U0	06-029-2008	CLIP	4
9	B845VVV48016	06-029-2009	SELF TAPING ST4.8*16	1
10	B845VVV48016	06-029-2010	SELF TAPING ST4.8*16	3
11	H0P000C0E1U0	06-029-2011	CLIP	3
12	B845VVV48016	06-029-2012	SELF TAPING ST4.8*16	4
13	H0P000C0E1U0	06-029-2013	CLIP	4
14	B845VVV48016	06-029-2014	SELF TAPING ST4.8*16	2
15	H0P000C0E1U0	06-029-2015	CLIP	2
16	B845VVV48016	06-029-2016	SELF TAPING ST4.8*16	2
17	H0P000C0E1U0	06-029-2017	CLIP	2

Fig, 21 Side Cover



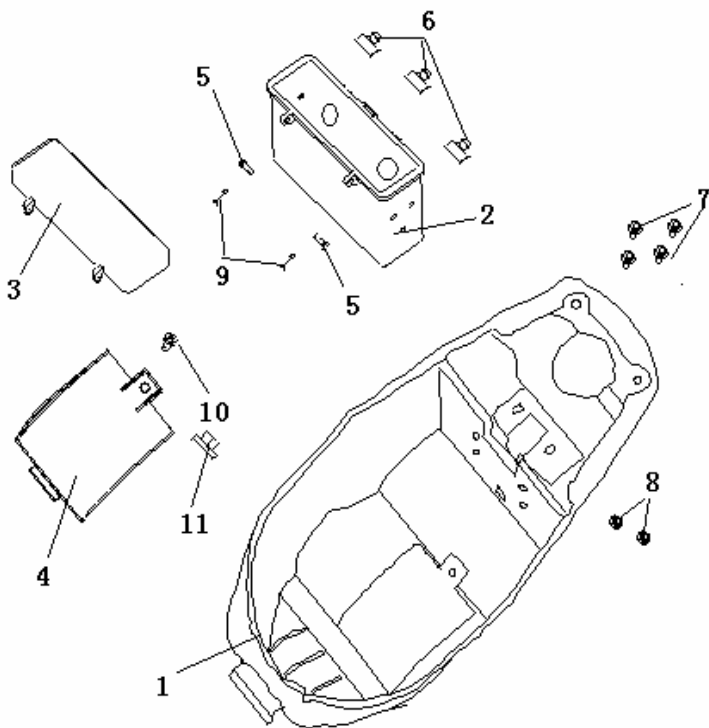
Ref	Code	Part Number	Description	Qty
1	H2P501CXE1U0	06-029-2101	LFT SIDE COVER - PAINTED	1
2	H2P502CXE1U0	06-029-2102	RGT SIDE COVER - PAINTED	1
3	H2P503CXE1U0	06-029-2103	GRILL,PROTECTION PLATE - CARBON FIBER	1
4	B845VVV48016	06-029-2104	SELF TAPING ST4.8*16	1
5	H0P000C0E1U0	06-029-2105	CLIP	1
6	B845VVV42016	06-029-2106	SELF TAPING ST4.2*16	1

Fig. 22 Fenders



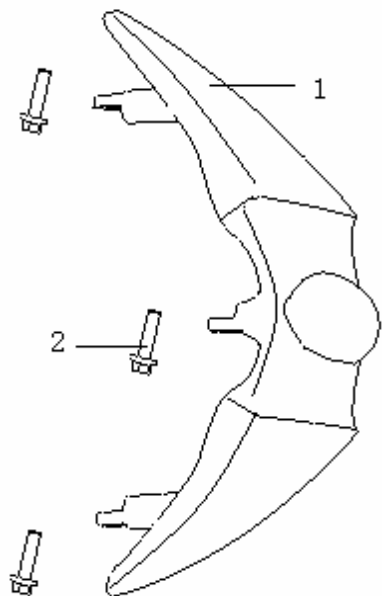
Ref	Code	Part Number	Description	Qty
1	H2P602CXE1U0	06-029-2201	REAR FENDER	1
2	H2P606CXE1U0	06-029-2202	NUMBER PLATE BRACKET	1
3	B6177VV06000	06-029-2203	BOLT M6*15	1
4	H2P601CXE1U0	06-029-2204	LINER, RR FENDER	1
5		06-029-2205	FRONT FENDER - PAINTED	1
6		06-029-2206	BOLT, FR FENDER	4

Fig. 23 Luggage Compartment



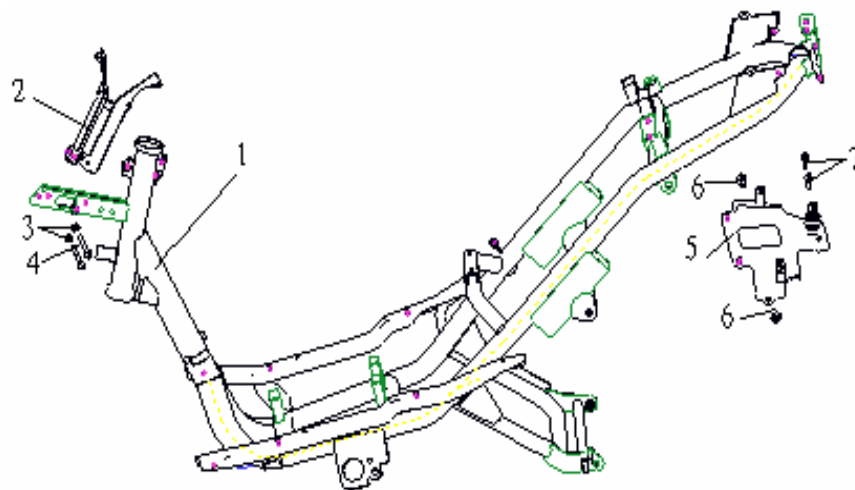
Ref	Code	Part Number	Description	Qty
1	H2P701CXE1U0	06-029-2301	LUGGUAGE BOX	1
2	H2P702CXE1U0	06-029-2302	RADIO BOX	1
3	H2P703CXE1U0	06-029-2303	NA	
4	H2P704CXE1U0	06-029-2304	COVER, ENGINE ACCESS	1
5	H2P705CXE1U0	06-029-2305	NA	
6	H2P706CXE1U0	06-029-2306	FIXING RUBBER	3
7	B5789VV06015	06-029-2307	BOLT M6*15	4
8	B6177VV06000	06-029-2308	NUT M6	2
9	B91VVVV02000	06-029-2309	NA	
10	B818VVV08012	06-029-2310	BOLT M8*12	1
11	H1D001C0E1U0	06-029-2311	CLIP	1

Fig. 24 Rear Wing



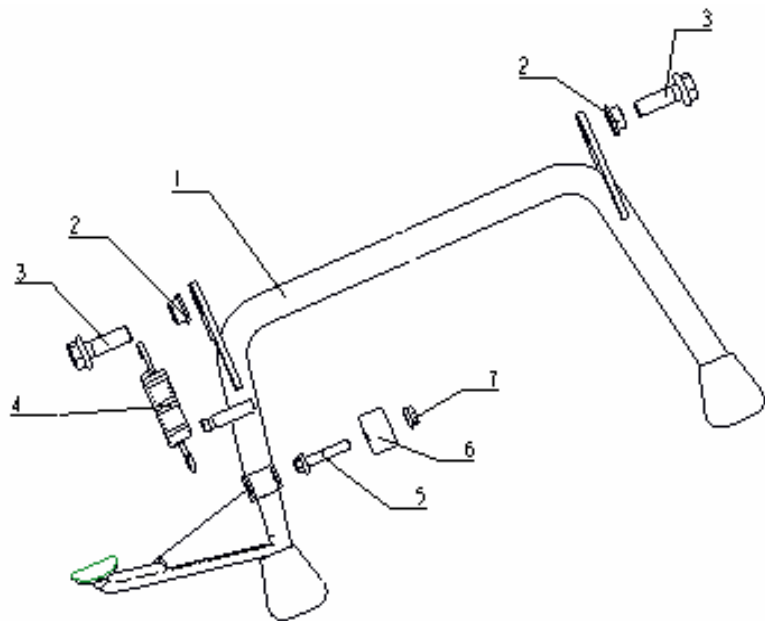
Ref	Code	Part Number	Description	Qty
1	F6P100CXE1U0	06-029-2401	REAR WING	1
2	B5789VV06020	06-029-2402	BOLT M6*20	3

Fig. 25 Frame



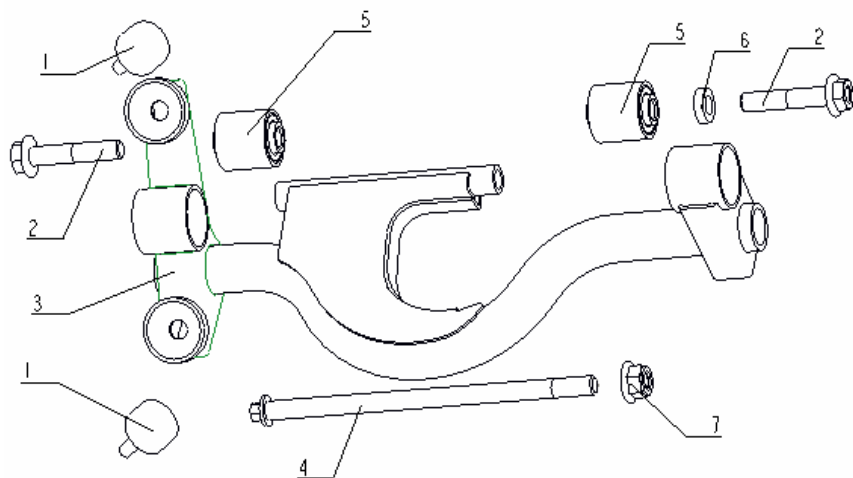
Ref	Code	Part Number	Description	Qty
1	F1D000BXE1U0	06-029-2501	FRAME	1
2	F2A004BXE1U0	06-029-2502	SPEAKER BRACKET	1
3	B6177VV06000	06-029-2503	NUT M6	2
4	B5787VV06035	06-029-2504	BOLT M6*35	2
5	F0A001BXE1U0	06-029-2505	MOUNTING BRACKET, FUEL TANK	1
6	B5787VV08010	06-029-2506	BOLT M8*10	2
7	B5787VV06020	06-029-2507	BOLT M6*20	2

Fig. 26 Mainstand



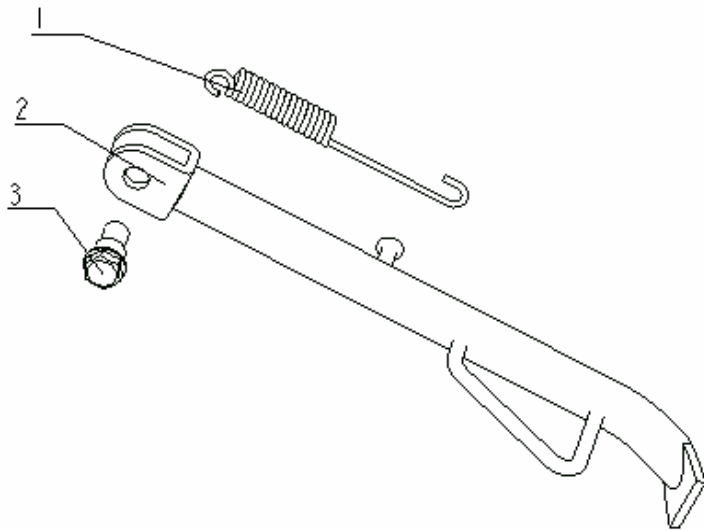
Ref	Code	Part Number	Description	Qty
1	F2D001BXE1U0	06-029-2601	MAIN STAND	1
2	F2P301BXE1U0	06-029-2602	COLLAR	2
3	B5789VV10125	06-029-2603	BOLT M10*1.25	2
4	F2P101BXE1U0	06-029-2604	SPRING, MAIN STAND	1
5	B5787VV06030	06-029-2605	BOLT M6*30	1
6	F2P201BXE1U0	06-029-2606	BUMPER	1
7	B6177VV06000	06-029-2607	NUT M6	1

Fig. 27 Engine Suspension Bracket



Ref	Code	Part Number	Description	Qty
1	F2P102BXE1U0	06-029-2701	BUMP STOP, ENGINE SUSPENSION BRACKET	2
2	B5789VV10055	06-029-2702	BOLT M10*1.25*55	1
3	F2D002BXE1U0	06-029-2703	ENGINE SUSPENSION BRACKET	1
4	F2P202BXE1U0	06-029-2704	MOUNTING ALXE, ENGINE	2
5	F2D102BXE1U0	06-029-2705	BUSHING	3
6	F2P302BXE1U0	06-029-2706	COLLAR	1
7	B6177VV10125	06-029-2707	NUT M10*1.25	1

Fig. 28 Side Stand



Ref	Code	Part Number	Description	Qty
1	F2P103BXE1U0	06-029-2801	SPRING, SIDE STAND	1
2	F2D003BXE1U0	06-029-2802	SIDE STAND	1
3	F2P203BXE1U0	06-029-2803	BOLT, SIDE STAND	1