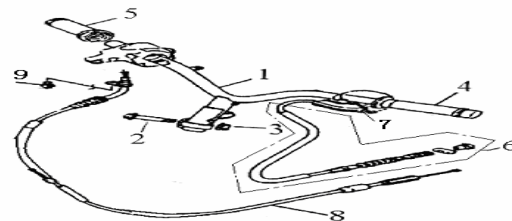


## BODY PARTS LIST OF QJ150T-12

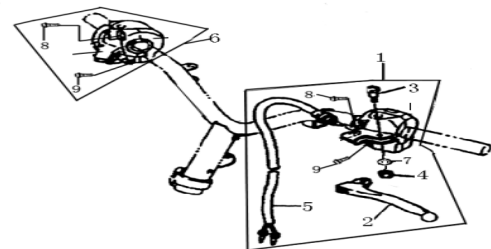
### STEERING

NO.	CODE	DESCRIPTION	QTY
1	40100BMMT000	HANDLE COMP.	1
2	B01091004565	FLANGE BOLT 10X1.25X45MM	1
3	B04171012565	U NUT 10X1.25MM	1
4	40001BMBT000	L. GRIP	1
5	40210BMBT000	R. GRIP ASSY.	1
6	40270J4FT000	BRAKE CABLE ASSY.	1
7	40008BM0T000	JACKET,RR. BRAKE CABLE	1
8	40300J4FT000	CABLE ASSY. THROTTLE	1
9	B02000501025	PAN HEAD SCREW 5X10MM	1



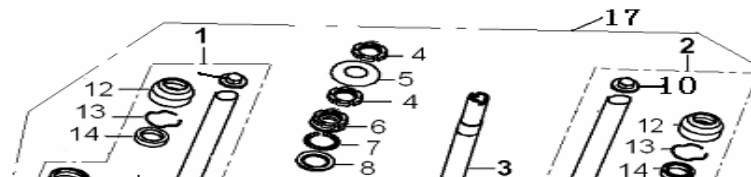
### LEVER/HANDLE SWITCH

NO.	CODE	DESCRIPTION	QTY
1	40500BM0T002	LEFT HANDLE SWITCH ASSY.	1
2	40002BMBT000	LEFT LEVER	1
3	40004BMAT000	LEVER MOUNTING SCREW	1
4	B04000500065	NUT 5MM	1
5	91700BMAT000	STOP SWITCH ASSY.	1
6	40600BM0T00A	RIGHT HANDLE SWITCH ASSY.	1
7	B07000000505	WASHER 5	1
8	B02000502525	PAN HEAD SCREW 5X25MM	2
9	B02000502025	PAN HEAD SCREW 5X20MM	2

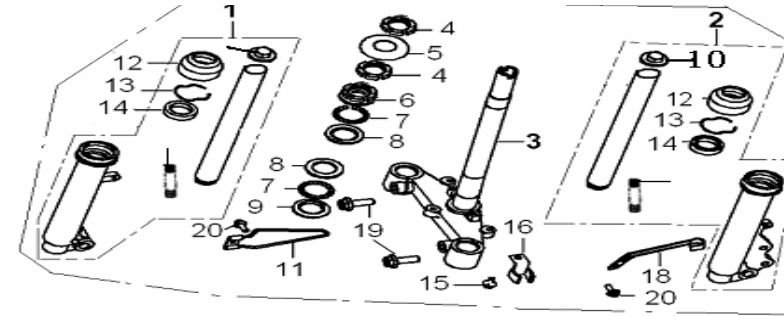


### FRONT FORK

NO.	CODE	DESCRIPTION	QTY
1	43300J4GT000	FR.R. FORK ASSY.	1
2	43200J4GT000	FR. L. FORK ASSY.	1
3	43100BMBT003	STEM, STEERING	1
4	43008BMAT000	NUT	2

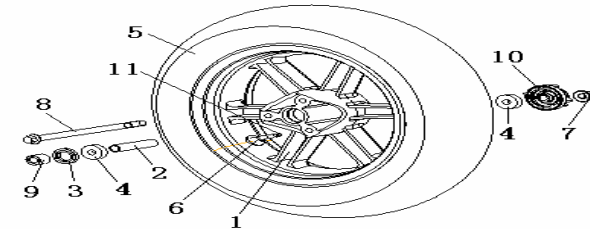


5	43005BMBT001	BALL RACE COVER	1	
6	43001BMBT002	BALL RACE, CONNECTING	1	
7	B06010150000	STEEL BALLφ5	42	
8	43003BMBT000	RACE,LOMER.BEARING ( UPPER )	2	
9	43004BMBT000	RACE,LOMER.BEARING ( DOWN )	1	
10	43204BMBT001	CAP BOLT	2	
11	43150BMBT000	CLIP, SPEEDOMETER CABLE	1	
12	43290K00P000	DUST SEAL	2	
13	43207K00P000	CLIP	2	
14	43260K00P000	OIL SEAL	2	
15	B01090601265	BOLT 6 x 12MM	1	
16	43035BMBT000	HOLDER, BRAKE HOSE 2	1	
17	43000J4HT000	FRONT FORK ASS'Y.	1	
18	43021BM0T003	HOLDER, BRAKE HOSE 1	1	
19	B01091003065	FLANGE BOLT 10X1.25X30MM	2	
20	B01070601665	BOLT 6X16MM	2	



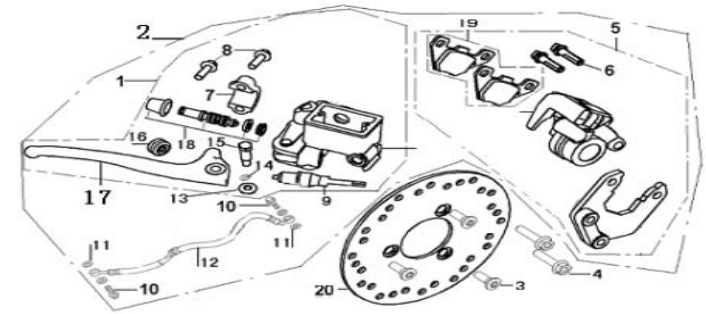
### FRONT WHEEL(ALUM)

NO.	CODE	DESCRIPTION	QTY	
1	44100BM0TLKA	RIM COMP.3.5X12 "(BLUE)	1	
	44100BM0TRHA	RIM COMP.3.5X12 "(RED)		
	44100BM0TYEA	RIM COMP.3.5X12 "(COPPER)		
	44100BM0TYFA	RIM COMP.3.5X12 "(YELLOW)		
	44100BM0TC2A	RIM COMP.3.5X12 "(SILVER)		
2	44600BM0T910	DISTANCE COLLAR COMP.	1	
3	44300BM0T000	OIL SEAL 22X35X7, R.	1	
4	B12016020100	BALL BEARING 6201-2RS	2	
5	B140107D12AB	TIRE 120/70-12 K-413	1	
6	B1403Z201100	RIM VALVE	1	
7	B04171212563	U NUT 12X1.25MM	1	
8	44004G4CT000	FR. WHEEL AXLE	1	
9	44005BM0T000	COLLAR	1	
10	44200J5BT000	SPEEDOMETER GEAR COMP.	1	
11	B1404Z2011C0	CAP, VALVE	1	



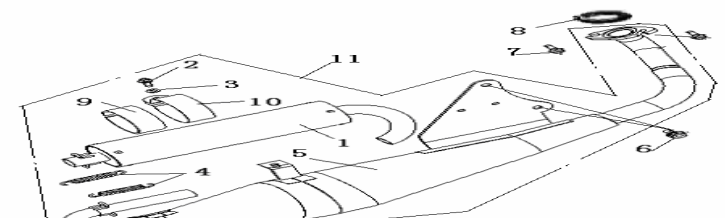
## FRONT DISK BRAKE

NO.	CODE	DESCRIPTION	QTY
1	45400BMMTB30	CYLINDER COMP.	1
2	45000BMMTRN1	DISC BRAKEASSY,FR.(U P BLACK, DOWN RED)	1
3	45053G0CP000	GUIDE POLE	2
4	45500J4FTRN0	CALIPER ASSY. (RED)	1
5	45039J4FT000	BOLT 8X36MM	2
6	45036JJ0T000	BOLT	3
7	45023J1DT000	MASTER CYLINDER BRACKET	1
8	B01070602365	BOLT 6X23MM	2
9	45300J3AT000	STOP SWITCH ASSY.	1
10	45037J00P000	UNION BOLT	2
11	45029J00P000	PLATE WASHER	4
12	45200BMBT001	FR. BRAKE HOSE	1
13	B04160600065	NUT 6MM	1
14	B07000000605	SPRING WASHER	1
15	45024J1CT000	BOLT 6MM	1
16	45057G0KP000	TENSION SPRING,LEVER	1
17	45022BMBT001	DISC BRAKE LEVER	1
18	45140J00P000	PISTON ASSY.	1
19	45110J4FT000	BRAKE PAD KIT	1 PAIR
20	45033BM0T001	BRAKE DISC	1



## MUFFLER

NO.	CODE	DESCRIPTION	QTY
1	48300B2GTLK0	MUFFLER CANISTER ASSY. ( LK )	1
	48300B2GTRH0	MUFFLER CANISTER ASSY. ( RH )	
	48300B2GTYE0	MUFFLER CANISTER ASSY. ( YE )	
	48300B2GTYF0	MUFFLER CANISTER ASSY. ( YF )	

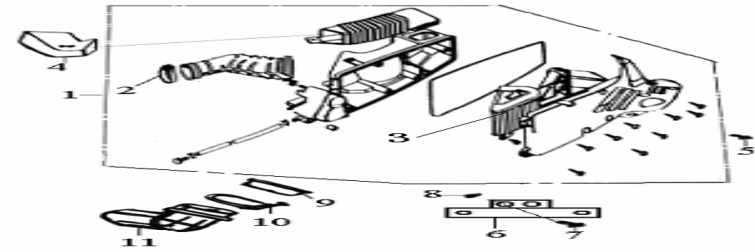


2	B01090602065	BOLT 6×20MM	1	
3	65627BM0T000	BUSH	1	
4	47151B2GT000	SPRING	2	
5	47200BMBT005	MUFFLER ASSY.	1	
6	B01070801665	BOLT 8×16MM	2	
7	B01090601665	BOLT 6×16MM	2	
8	47800B0DT001	GASKET, EXHAUST PIPE	1	
9	48833B2GT000	ADIABATIC RUBBER	1	
10	48831B2GT000	MUFFLER HOOP	1	
11	47100BMBT007	MUFFLER ASSY.	1	



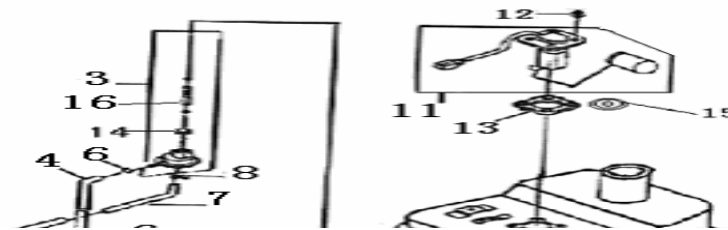
### AIR CLEANER

NO.	CODE	DESCRIPTION	QTY	
1	49100J4FT000	AIR CLEANER COMP.	1	
2	49350J0ET000	CLAMP ASSY., AIR CLEANER	1	
3	49200J4FT000	FILTER ASSY	1	
4	49006J4FT000	SLEEVE, PP	1	
5	B01090603065	FLANGE BOLT 6×30MM	1	
6	49025J4FT000	BRACKET, AIR CLEANER	1	
7	B01090602565	BOLT 6X25MM	1	
8	B04070600065	NUT 6MM	1	
9	62510J4FT000	FILTER ASSY., AIR INTAKE	1	
10	08430J0ET000	CLAMP ASSY., AIR INTAKE PIPE	1	
11	62500J4FT000	PIPE ASSY., AIR INTAKE	1	

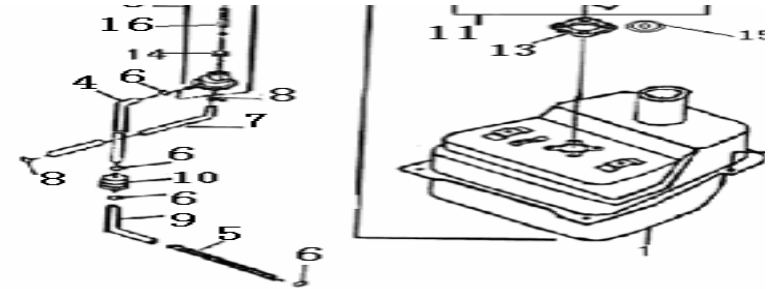


### FUEL TANK

NO.	CODE	DESCRIPTION	QTY	
1	50100BMBT002	FUEL TANK COMP.	1	
2	B01090601665	FLANGE BOLT 6X16MM	4	
3	50300BM0T000	FUEL COCK ASSY.	1	
4	50301BM0T000	FUEL HOSE, 1 (4.5X8.5X80)	1	
5	50316BMBT000	SPRING (BLACK)	1	
6	50307BM0T000	CLIP 8mm	4	

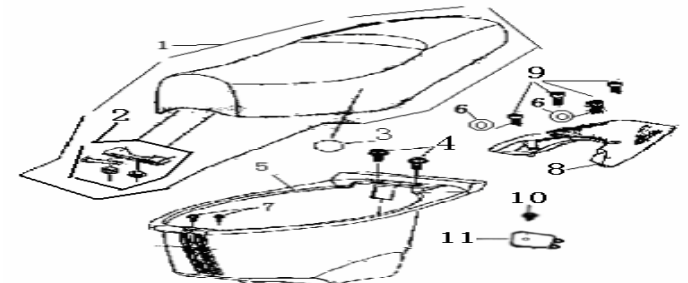


7	50302BM0T000	VACUUM.HOSE (4X8X360)	1	
8	50306BM0T000	CLIP 7mm	2	
9	50303BM0T000	FUEL.HOSE,2 (4.5X8.5X250)	1	
10	50340J0ET000	FUEL FILTER ASSY.	1	
11	50800BMBT000	SENDER UNIT	1	
12	50801BM0T000	BOLT 5X16MM	4	
13	50004BMBT000	SENDER UNIT GASKET	1	
14	50312J0ET000	SEAL RING	1	
15	B07020000505	WASHER 5	4	
16	50352BM0T000	FUEL FILTER	1	



### SEAT

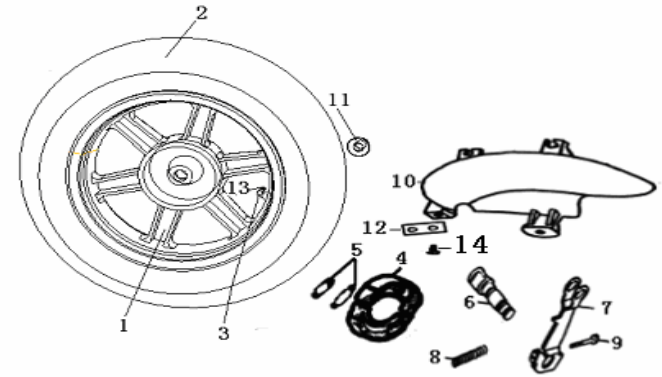
NO.	CODE	DESCRIPTION	QTY	
1	51100BMBTRH0	SEAT ASSY. ( RED/BLACK )	1	
	51100BMBTLK0	SEAT ASSY. ( BLUE/BLACK )		
	51100BMBTYE0	SEAT ASSY. ( COPPER/BLACK )		
	51100BMBTYF0	SEAT ASSY. ( YELLOW/BLACK )		
	51100BMBTC20	SEAT ASSY. ( SILVER/BLACK )		
2	51080BMBT001	SEAT HINGE	1	
3	08032BM0T000	O-RING	1	
4	08011H60X000	BOLT 6X14 MM	2	
5	51004K80T000	LUGGAGE BOX	1	
6	B07030000805	WASHER 8	2	
7	08017J4AT000	BOLT WASHER M6X20	2	
8	52011BMKTB10	RR.. CARRIER COMP BLACK	1	
9	B02050804565	SCREW 8X45MM	4	
10	B05074201305	TAPPING SCREW ST4.2X13	1	
11	51005K80T000	COVER , LUGGAGE BOX	1	



### REAR WHEEL

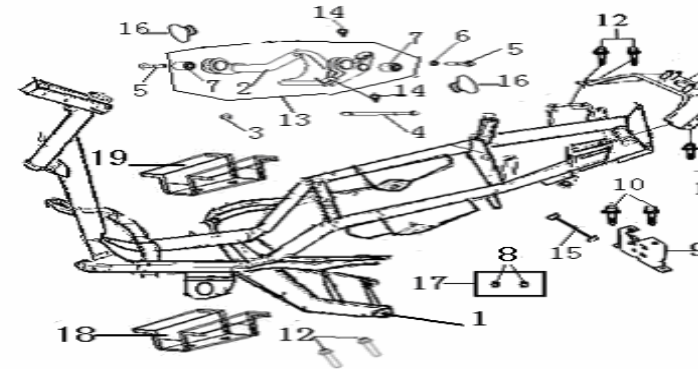
NO.	CODE	DESCRIPTION	QTY	
	54100J4FTRHA	RR .RIMCOMP.3.5X12" (RED)		
	54100J4FTLKA	RR .RIMCOMP.3.5X12" ( BLUE )		

1	54100J4FTYEA	RR RIMCOMP.3.5X12" ( COPPER )	1	
	54100J4FTYFA	RR .RIMCOMP.3.5X12" ( YELLOW )		
	54100J4FTC2A	RR .RIMCOMP.3.5X12" ( SILVER )		
2	B140108D12BB	TIRE 130/70-12 (E MARK)	1	
3	B1403Z201100	RIM VALVE Z2-01-1	1	
4	54200J4AT000	BRAKE SHOE (NO ASBESTOS)	1PAIR	
5	54001J4AT000	SPRING, BRAKE SHOE	2	
6	54003J4AT000	CAM SHAFT	1	
7	54250J4AT002	CAM SHAFT LEVER, ASSY	1	
8	54008J4AT000	TENSION SPRING	1	
9	B01090603565	BOLT 6X35MM	1	
10	65701J4FT001	REAR FENDER	1	
11	B04171601563	U NUT 16X1.5MM	1	
12	65771J4FT000	BRKT., RR. FENDER	1	
13	B1404Z2011C0	CAP, VALVE	1	
14	B01090601265	BOLT 6X12MM	1	



## FRAME BODY

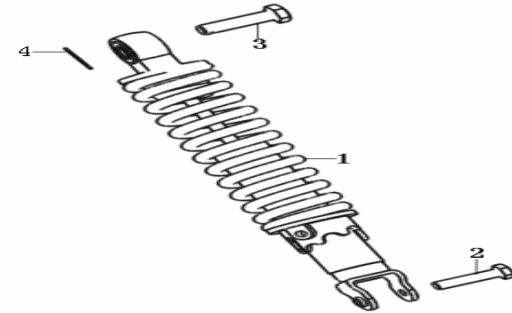
NO.	CODE	DESCRIPTION	QTY	
1	57100K80T001	FRAME COMP.	1	
2	58320J4FT000	E/G BRKT. COMP.	1	
3	B04171012565	NUT 10X1.25MM	1	
4	58301J0ET000	SHAFT ENGINEB RACKET M10X1.25X183	1	
5	58305J0ET000	BOLT 10X1.25X55MM	2	
6	58307J0ET000	BUSH	1	
7	58351J0ET000	E/G SET, SHAFT	2	
8	B100432007P0	RIVET3.2X7	2	
9	58800BM0T000	SEAT CATCH COMP.	1	
10	B01090602565	FLANGE BOLT 6X25MM	2	
11	57080BMKT000	CARRIER BRACKET	1	
12	B01090601265	FLANGE BOLT 6X12MM	10	
13	58360J4FT000	E/G BRKT. COMP.	1	
14	58342J0ET000	BUFFER, RUBBER	2	
15	58900BMBT000	CABLE, SEAT	1	



16	58353J4FT000	CAP, DECORATION	2	
17	57001J4HT001	FRAME BODY NO. PLATE	1	
18	57417BMMT000	FR.L.FLOOR BRACKET	1	
19	57418BMMT000	FR.R.FLOOR BRACKET	1	

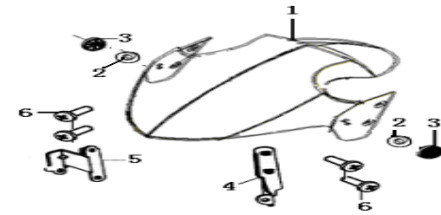
### REAR ABSORBER

NO.	CODE	DESCRIPTION	QTY	
1	63100J4FTRH1	RR. ABSORBER COMP.,(RED)	1	
	63100J4FTLK1	RR. ABSORBER COMP.(BLUE)		
	63100J4FTYE1	RR. ABSORBER COMP.(COPPER)		
	63100J4FTYF1	RR. ABSORBER COMP.(YELLOW)		
	63100J4FTC21	RR. ABSORBER COMP.(BLACK)		
2	63015J0ET000	FLANGE BOLT 8X31MM	1	
3	B01141004063	BOLT W/HOLE M10X1.25X40	1	
4	63016B0DT000	SPLIT PIN	1	



### FRONT FENDER

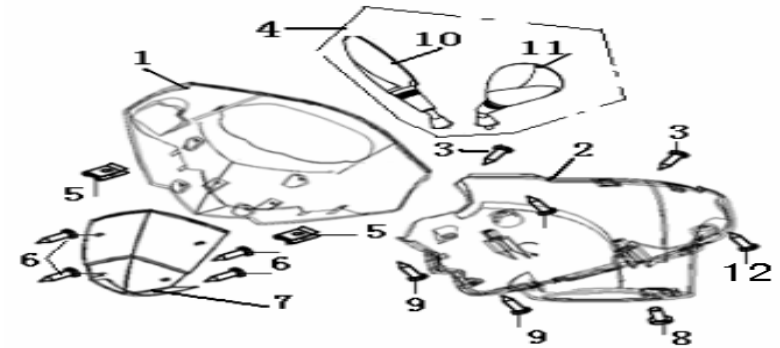
NO.	CODE	DESCRIPTION	QTY	
1	65101BMMTB10	FRONT FENDER,BLACK	1	
2	B04000600063	FLANGE NUT 6MM	2	
3	86300B20T000	FRONT SIDE REFLECTOR(E-MARK)	2	
4	65130B20T000	FRONT FENDER BRACKET, 1	1	
5	65140B20T000	FRONT FENDER BRACKET, 2	1	
6	65114BMBT000	SCREW W/WASHER 6X16	4	



### HANDLE COVER

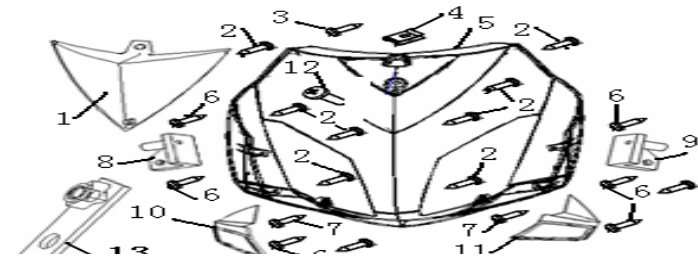
NO.	CODE	DESCRIPTION	QTY	
1	65201BMMTLK0	HANDLE COVER,UPPER BLUE	1	
	65201BMMTRH0	HANDLE COVER, UPPER, RED		
	65201BMMTYE0	HANDLE COVER, UPPER COPPER		
	65201BMMTYF0	HANDLE COVER, UPPER, YELLOW		
	65201BMMTB10	HANDLE COVER, UPPER, BLACK		
	65201BMMTC20	HANDLE COVER, UPPER, SILVER		

2	65202BMMT000	HANDLE COVER, DOWN	1	
3	B05074801305	TAPPING SCREW ST4.8X13	2	
4	40450BMBTB42	EAR VIEW MIRROR ASSY(E-MARK)	1	
5	65801BMAT000	SPRING NUT ST4	2	
6	B05074001005	TAPPING SCREW ST4X10	4	
7	65203BMMT000	METER VISION ASSY.(SILVER/BLACK)	1	
	65203BMMTB10	METER VISION ASSY.(BLACK.SILVER)		
	65203BMMTC20	METER VISION ASSY.(BLACK.SILVER)		
8	B02060501425	SCREW 5X14	1	
9	<b>B05074201605</b>	<b>TAPPING SCREW ST4.2X16</b>	<b>2</b>	
10	40470BMBTLK2	VIEW MIRROR R.E-MARK(BLUE)	1	
	40470BMBTRH2	VIEW MIRROR R.E-MARK(RED)		
	40470BMBTYE2	VIEW MIRROR R.E-MARK(COPPER)		
	40470BMBTYF2	VIEW MIRROR R.E-MARK(YELLOW)		
	40470BMBTB12	VIEW MIRROR R.E-MARK(BLACK)		
	40470BMBTC22	VIEW MIRROR R.E-MARK(SILVER)		
11	40460BMBTLK2	VIEW MIRROR L.E-MARK(BLUE)	1	
	40460BMBTRH2	VIEW MIRROR L.E-MARK(RED)		
	40460BMBTYE2	VIEW MIRROR L.E-MARK(COPPER)		
	40460BMBTYF2	VIEW MIRROR L.E-MARK(YELLOW)		
	40460BMBTB12	VIEW MIRROR L.E-MARK(BLACK)		
	40460BMBTC22	VIEW MIRROR L.E-MARK(SILVER)		
12	B05074001605	TAPPING SCREW ST4X16	2	



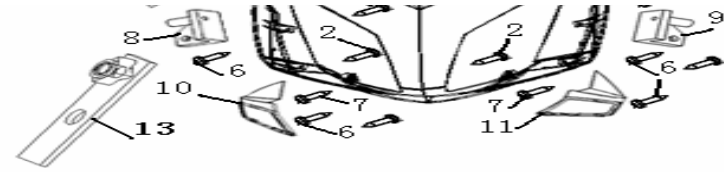
### FRONT COVER

NO.	CODE	DESCRIPTION	QTY	
1	65303BMMTB10	COVER, BLACK	1	
	65303BMMTC20	COVER, SILVER		
2	B05074001605	TAPPING SCREW ST4X16	8	
3	B05074201605	TAPPING SCREW ST4.2X16	1	
4	65801BMAT000	SPRING NUT ST4	1	
5	65301BMMTLK0	FRONT COVER BLUE	1	
	65301BMMTRH0	FRONT COVER(RED)		
	65301BMMTYE0	FRONT COVER(COPPER)		



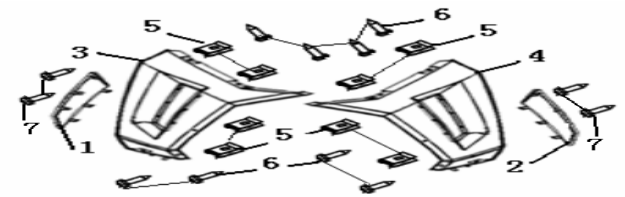


J	65301BMPTYF0	FRONT COVER(YELLOW)	1	
	65301BMMTB10	FRONT COVER(BLACK)		
	65301BMBTC20	FRONT COVER(SILVER)		
6	B05074001205	TAPPING SCREW ST4X12	8	
7	B05074001005	TAPPING SCREW ST4X10	2	
8	65355BMMT000	HEADLIGHT BRACKET. R	1	
9	65354BMMT000	HEADLIGHT BRACKET. L	1	
10	65367BMMTB40	HEADLIGHT BRACKET. R	1	
11	65366BMMTB40	HEADLIGHT BRACKET. L	1	
12	B13010601605	SCREW W/WASHER	1	
13	57130BMMT000	COVER BRACKET	1	



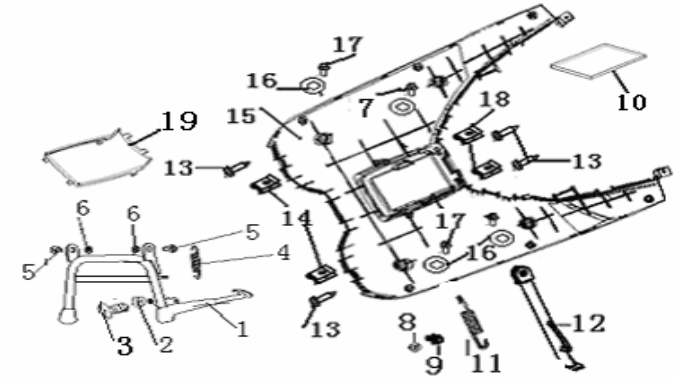
**FRONT COVER DECORATION ASSY.**

NO.	CODE	DESCRIPTION	QTY	
1	65363BMMTB40	DECORATION. R	1	
2	65362BMMTB40	DECORATION. L		
3	65365BMMT000	FRONT COVER BRACKET .R(BLUE)	1	
	65365BMMT000	FRONT COVER BRACKET .R(RED)		
	65365BMMT000	FRONT COVER BRACKET .R(COPPER)		
	65365BMMT000	FRONT COVER BRACKET .R(YELLOW)		
	65365BMMT000	FRONT COVER BRACKET .R(BLACK)		
	65365BMMTC20	FRONT COVER BRACKET .R(SILVER)		
4	65364BMMT000	FRONT COVER BRACKET .L(BLUE)	1	
	65364BMMT000	FRONT COVER BRACKET .L(RED)		
	65364BMMT000	FRONT COVER BRACKET .L(COPPER)		
	65364BMMT000	FRONT COVER BRACKET .L(YELLOW)		
	65364BMMT000	FRONT COVER BRACKET .L(BLACK)		
	65364BMMTC20	FRONT COVER BRACKET. L (SILVER)		
5	65802BMAT000	SPRING NUT ST4.8	8	
6	B05074801605	TAPPING SCREW ST4.8X16	8	
7	B05074001205	TAPPING SCREW ST4X12	4	



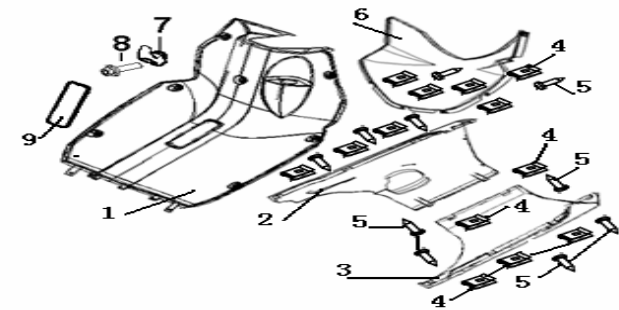
**FOOTREST/STAND**

NO.	CODE	DESCRIPTION	QTY
1	58520J4HT000	MAIN STAND JOINTING ASSY.	1
2	58507G5FT000	CUSHION, MID STAND	1
3	08018J5BT000	BOLT	1
4	58510BM0T000	MAIN STAND SPRING ASSY.	1
5	B01091002565	BOLT 10X1.25X25MM	2
6	58509JA0T000	BUSH	2
7	B01020603365	BOLT 6X33MM	2
8	B04020800063	U NUT 8MM	1
9	57005B0DT000	BOLT, SINGLE STAND	1
10	65811BMBT000	BATTERY DAMPER I	1
11	57010G2AT000	SIDE STAND SPRING ASSY.	1
12	58700J4FT000	SIDE STAND COMP.	1
13	B05074801605	TAPPING SCREW ST4.8X16	4
14	65802BMAT000	SPRING NUT ST4.8	2
15	65401BMMT000	FLOOR COMP.	1
16	B07020000605	WASHER 6	4
17	B01000604555	BOLT 6X45MM	2
18	65802BM0T000	SPRING NUT	2
19	65813BMMT000	BATTERY COVER	1



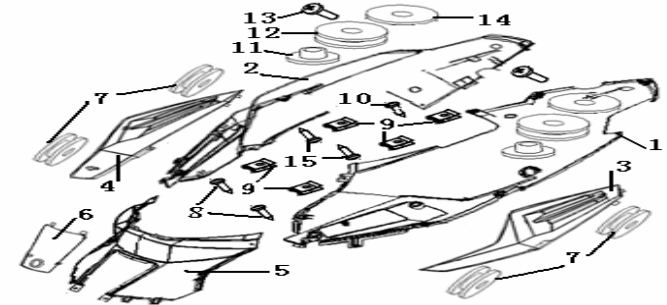
### LEG SHIELD

NO.	CODE	DESCRIPTION	QTY
1	65402BMMT000	LEG SHIELD	1
2	65408BMMTB10	DOWN COVER..L (BLACK)	1
3	65409BMMTB10	DOWN COVER..R (BLACK)	1
4	65801BMAT000	SPRING NUT ST4	16
5	B05074201605	TAPPING SCREW ST4.2X16	16
6	65406BMMT000	INNER FENDER	1
7	51011BMBT000	HELMET POTHOOK	1
8	B01090602565	BOLT 6X25MM	1
9	65403BMMT000	INSPECT COVER	1



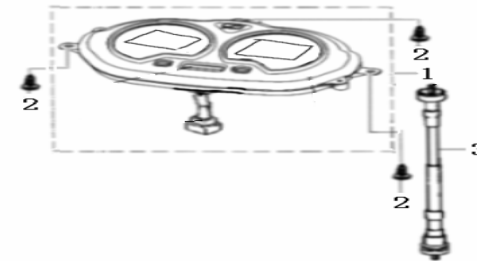
### SIDE COVER

NO.	CODE	DESCRIPTION	QTY
1	65601BMMTB10	SIDE COVER..L BLACK	1
2	65602BMMTB10	SIDE COVER..R BLACK	1
3	65603BMMTC20	DOWN COVER ..L(SILVER)	
	65603BMMTB10	DOWN COVER ..L(BLACK)	
4	65604BMMTC20	DOWN COVER ..R(SILVER)	
	65604BMMTB10	DOWN COVER ..R(BLACK)	
5	65605BMMT000	LUGGAGE BOX FR.. COVER	1
6	65619BMMT000	LITTLE COVER	1
7	65617J00P000	RUBBER WASHER	4
8	B05074201605	TAPPING SCREW ST4.2X16	2
9	65801BMAT000	SPRING NUT ST4	5
10	B05074001205	TAPPING SCREW ST4X12	3
11	65709BM0T000	BUSH, RR. FENDER	2
12	65618J00P000	RUBBER WASHER	2
13	B02000602025	SCREW M6X20MM	2
14	08021BMBT000	WASHER	2
15	B05074201905	TAPPING SCREW ST4.2X19	3



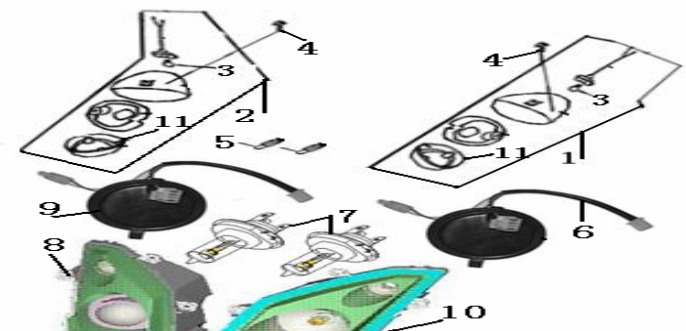
### SPEEDOMETER.

NO.	CODE	DESCRIPTION	QTY
1	70000J4FT00B	SPEEDOMETER COMP.	1
2	B05074001205	SCREW ST4X12	3
3	72900BMBT000	SPEEDOMETERCABLE COMP.	1



### FLASHER LIGHT/HEAD LIGHT

NO.	CODE	DESCRIPTION	QTY
1	81100BMMT00A	FLASHER LIGHT ASSY., L	1
2	81300BMMT00A	FLASHER LIGHT ASSY., R	1
3	81501BMMT000	BULB, 12V/10W	2
4	B13060501405	SCREW. WASHER M5X14MM	2
5	80023BMMT000	BULB 2, HEADLIGHT	2
6	80009BMMT001	HEADLIGHT WIRE ASSY..L	1

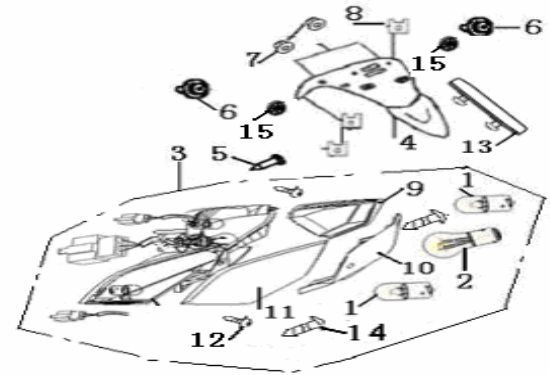


7	80002BMMT000	BULB 1, HEADLIGHT	2	
8	80000BMMT00A	HEAD LIGHT ASSY. R	1	
9	80009BMMT000	HEADLIGHT WIRE ASSY..R	1	
10	80000BMMT00B	HEAD LIGHT ASSY. .L	1	
11	81102BMMT00A	FLASHER LIGHT COVER	2	



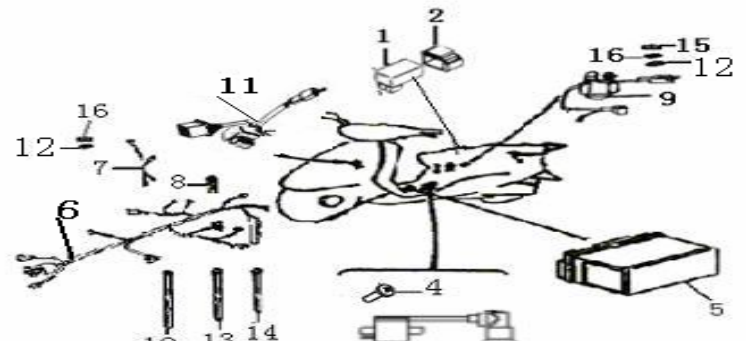
### TAIL LIGHT

NO.	CODE	DESCRIPTION	QTY	
1	81501BMMT000	BULB, 12V/10W	2	
2	82005JL0T000	BULB 12V 21/5W	1	
3	82000BMMT00A	TAIL LIGHT ASSY. (E MARK)	1	
4	08202BMMT00A	LICENSE BRACKET	1	
5	B05074201605	TAPPING SCREW ST4.2X16	2	
6	B13060601605	SCREW.W/WASHER 6X16MM	2	
7	B04070600065	FLANGE NUT 6MM	2	
8	65801BMAT000	SPRING NUT	3	
9	81703BMMT00A	LIGHT COVER..RR	1	
10	82008BMMT00A	INDICATOR LENS	1	
11	81503BMMT00A	LIGHT COVER..R.L	1	
12	86400B20T001	SIDE REFLECTOR	1	
13	86500BN0T00A	RR . REFLECTOR	1	
14	08009BMMT000	SCREW 5X20	2	
15	08011BN0T000	SCREW 3X8	2	
16	B04000600063	NUT M6	2	

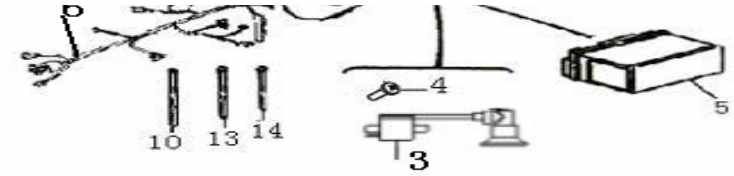


### ELECTRICAL EQUIPMENT I

NO.	CODE	DESCRIPTION	QTY	
1	97701BAAT000	C.D.I. UNIT COMP.	1	
2	96007BAAT000	CUSHION. C.D.I	1	
3	96200J5BT000	IGNITION COIL ASSY	1	
4	B13040602005	SCREW 6X20	2	
5	96100J4FT000	BATTERY ASSY.	1	
6	92000BMMT00A	WIRE HARNESS ASSY.	1	

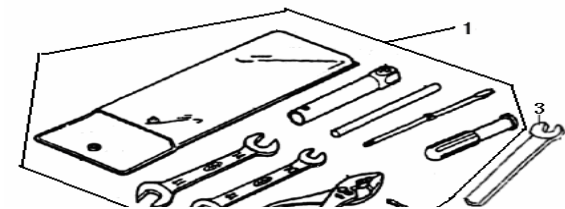
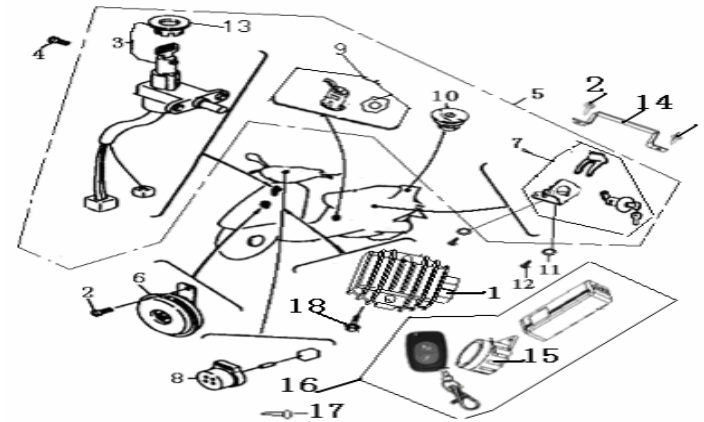


7	96900J4FT000	WIRE HARNESS	1	
8	96800K80T000	FUSE 15A	1	
9	94000BMBT000	STARTER RELAY COMP.	1	
10	96001K00P000	BAND 250MM	3	
11	92100J3AT001	DIODE COMP.	1	
12	B07030000605	WASHER 6	2	
13	96003K00P000	BAND 200MM	3	
14	96002K00P000	BAND 150MM	1	
15	B04000600055	NUT 6MM	1	
16	B07000000605	WASHER 6	2	



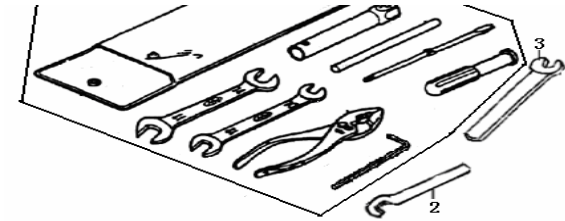
### ELECTRICAL EQUIPMENT

NO.	CODE	DESCRIPTION	QTY	
1	98801N0FP000	REGULATOR COMP.	1	
2	B01090601265	BOLT 6X12MM	3	
3	88100K80T000	MAIN SWITCH ASSY.	1	
4	B01090601665	BOLT 6X16MM	2	
5	88000K80T000	LOCK ASSY.	1	
6	95000BMDT000	HORN (E MARK)	1	
7	88800BMBT000	LOCK ASSY., SEAT	1	
8	96500BM0T00B	FLASH&AUDIO PILOT COMP.	1	
9	88500BMBT000	LOCK, COVER	1	
10	88400BMMT000	LOCK ASSY., FUEL TANK	1	
11	B07030000505	WASHER 5	2	
12	B05074001005	TAPPING SCREW ST4X10	2	
13	88101BMBT000	COVER MAIN SWITCH	1	
14	95701JCCT000	BAKT ALARMSYSTEM	1	
15	95730BMBT002	ALARM SYSTEM HORN	1	
16	95700J4FT000	ALARM ASSY.	1	
17	B05074801305	TAPPING SCREW	1	
18	B01090602065	BOLT 6X20MM	1	



## TOOL KIT

NO.	CODE	DESCRIPTION	QTY
1	02110G00P000	BAG, TOOL	1
2	02115BM0T000	RR. ABSORBER ADJUSTER	1
3	02117BMBT000	WRENCH 35	1



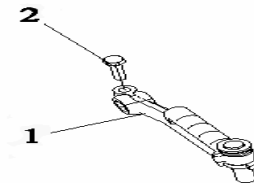
## STICKER

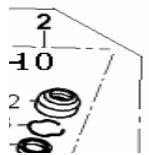
NO.	CODE	DESCRIPTION	QTY
1	05511K80T000	STICKER SIDE COVER UPPER	1
2	05512 K80T000	STICKER SIDE COVER DOWN	1
3	05542 K80T000	STICKER FOOTREST DOWN	1
4	05522 K80T000	STICKER FRONT COVER	1
5	05523 K80T000	STICKER FRONT COVER	1
6	05581 K80T000	STICKER WHEEL DRUM	1
7	05591 K80T000	STICKER LUGGAGE BOX	1
8	05500 K80T000	STICKER SEAT DOWN	1

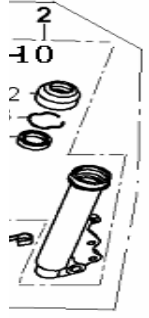


## ENGINE ATTACHMENT

NO.	CODE	DESCRIPTION	QTY
1	08350J4AT000	STARTING SHAFT COMP.	1
2	B01020602565	SCREW 6X25MM	1







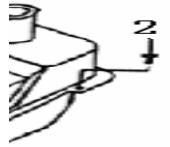


1





L  
15



7

