

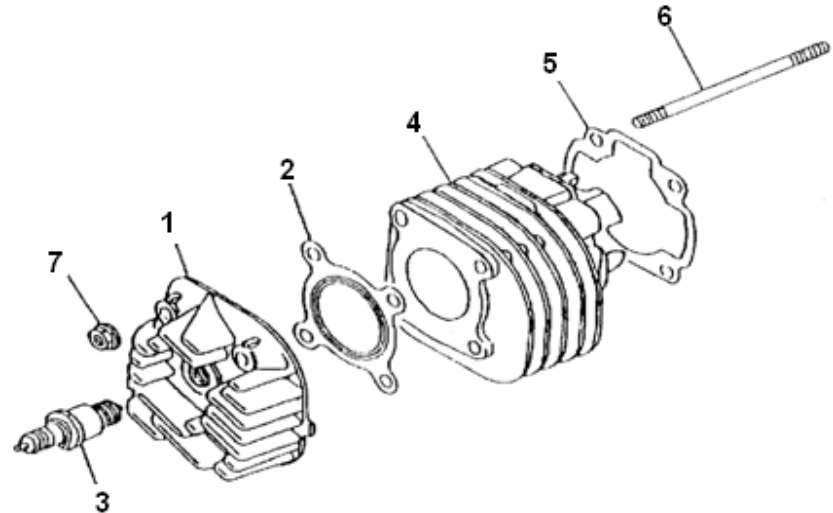
ENGINE BODY PARTS LIST OF VENUS

MADE BY QJ CHINA

IMPORTED BY SEVERAL BRANDS INCLUDING KEEWAY

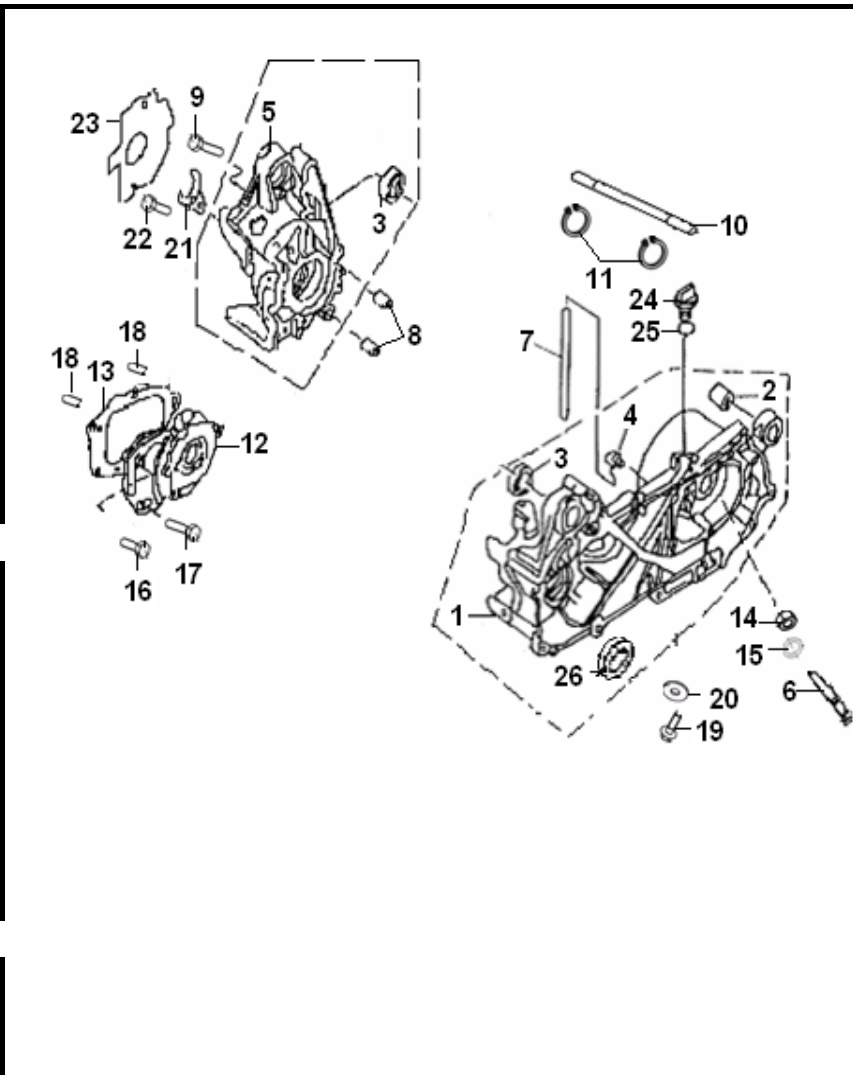
1 CYLINDER

| NO | QJ CODE | DESCRIPTION | QTY | RMK |
|----|---------------|------------------------|-----|--------------|
| 1 | 30701B01F00A | HEAD , CYLINDER | 1 | |
| 2 | 30507B01F000 | GASKET , CYLINDER HEAD | 1 | |
| 3 | 201204.006000 | SPARK PLUG | 1 | E7RTC |
| 4 | 27101B01F00A | CYLINDER | 1 | |
| 5 | 204204.001000 | GASKET , CYLINDER | 1 | Non-asbestos |
| 6 | 26107B01F910 | STUD BOLT | 4 | |
| 7 | 304290700063 | NUT | 4 | |
| | | | | |
| | | | | |
| | | | | |
| | | | | |
| | | | | |



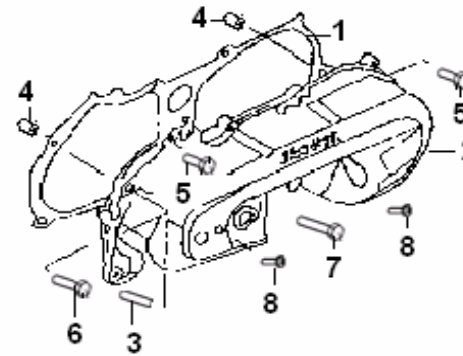
2 CRANKCASE

| NO | QJ CODE | DESCRIPTION | QTY | RMK |
|----|---------------|-----------------------|-----|--------------|
| 1 | 26100B01F000 | CRANKCASE , LH | 1 | |
| 2 | 26108G02F000 | BUSH,ENGINE MOUNTING | 1 | |
| 3 | B12046600300 | bearing | 2 | |
| 4 | 26126G02F000 | BREATHER PLUG | 1 | |
| 5 | 26200B01F000 | CRANKCASE , RH | 1 | |
| 6 | 26142G02F000 | BRAKE SHOE ANCHOR PIN | 1 | |
| 7 | 26105G02F000 | HOSE | 1 | |
| 8 | 26123G02F000 | DOWEL PIN | 2 | |
| 9 | 302270603562 | SCREW | 6 | |
| 10 | 26109B01F000 | AXLE,engine mount | 1 | |
| 11 | B08010001700 | CIRCLIP | 2 | |
| 12 | 18101G02F001 | COVER, GEAR BOX | 1 | |
| 13 | 214201.001000 | GASKET , GEAR BOX | 1 | Non-asbestos |
| 14 | B04070812553 | NUT | 1 | |
| 15 | 26143G02F000 | O RING | 1 | |
| 16 | B01070603063 | SCREW | 2 | |
| 17 | B01070602263 | SCREW | 3 | |
| 18 | 26208J01F000 | DOWEL PIN | 2 | |
| 19 | 301310801605 | FLANGE BOLT | 1 | |
| 20 | 18105H03F000 | WASHER | 1 | |
| 21 | 26214G02F000 | HOLDER | 1 | |
| 22 | 301310601262 | SCREW M6X12 | 1 | |
| 23 | 206321.001000 | GASKET | 1 | Non-asbestos |
| 24 | 206407.004083 | OIL PLUG | 1 | |
| 25 | 26102G02F000 | O-RING | 1 | |
| 26 | 26112G02F000 | SHAFT COLLAR | 1 | |



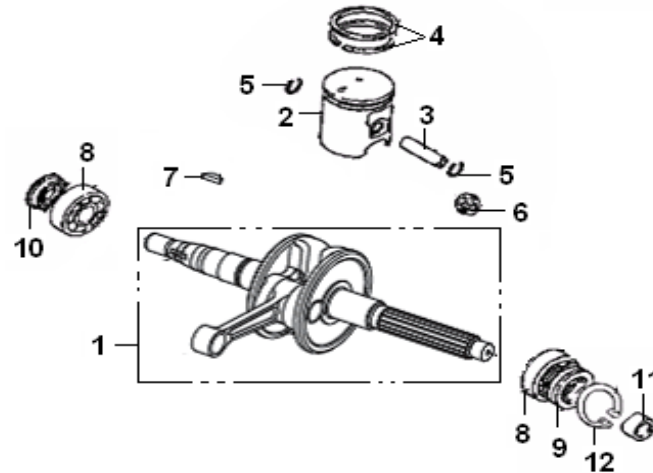
SIDECOVER ASSY

| NO | QJ CODE | DESCRIPTION | QTY | RMK |
|----|---------------|---------------------|-----|--------------|
| 1 | 207208.009000 | GASKET , SIDE COVER | 1 | Non-asbestos |
| 2 | 169022080020 | SIDE COVER | 1 | 光板 , |
| 3 | 26128G02F000 | SHAFT | 1 | |
| 4 | 26208J01F000 | DOWEL PIN | 2 | |
| 5 | 301310602565 | SCREW M6X25 | 8 | Chrome- |
| 6 | 301310603565 | SCREW | 2 | Chrome- |
| 7 | 301310606565 | PAN HEAD SCREW | 1 | Chrome- |
| 8 | 302460601265 | STOPPER | 1 | elating |
| | | | | |
| | | | | |
| | | | | |



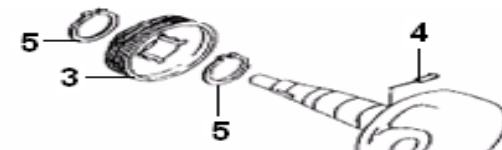
4 CRANKSHAFT ASSY

| NO | QJ CODE | DESCRIPTION | QTY | RMK |
|----|---------------|-------------------|-----|-----|
| 1 | 208100.022000 | CRANKSHAFT , ASSY | 1 | |
| 2 | 15100B01F00B | PISTON ASSY | 1 | 欧I |
| 3 | 15105B16F000 | PISTON PIN | 1 | |
| 4 | 15103B01F000 | PISTON RING ASSY | 2 | AVL |
| 5 | 15111G02F000 | CIRCLIP | 2 | |
| 6 | 15110B16F000 | NEEDLE BEARING | 1 | TPI |
| 7 | 15101B01F000 | WOODRUFF KEY | 1 | |
| 8 | B12016620453 | BALL BEARING | 2 | TPI |
| 9 | 15213G02F000 | OIL SEAL | 1 | |
| 10 | 26215G02F000 | OIL SEAL ASSY | 1 | |
| 11 | 15214G02F000 | COLLAR | 1 | |
| 12 | 17308G02F000 | CIRCLIP | 1 | |

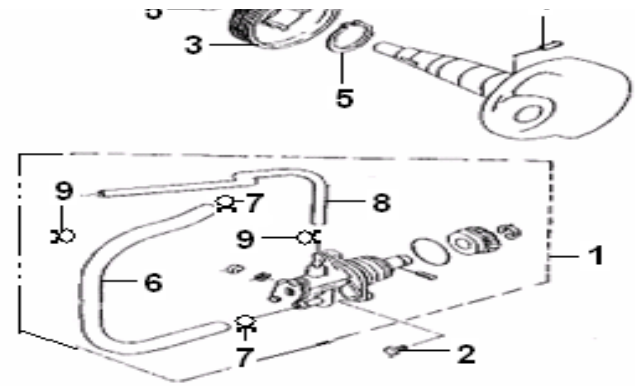


5 OIL PUMP ASSY

| NO | QJ CODE | DESCRIPTION | QTY | RMK |
|----|-------------|---------------|-----|-------|
| 1 | 26901170020 | OIL PUMP ASSY | 1 | 打50标记 |

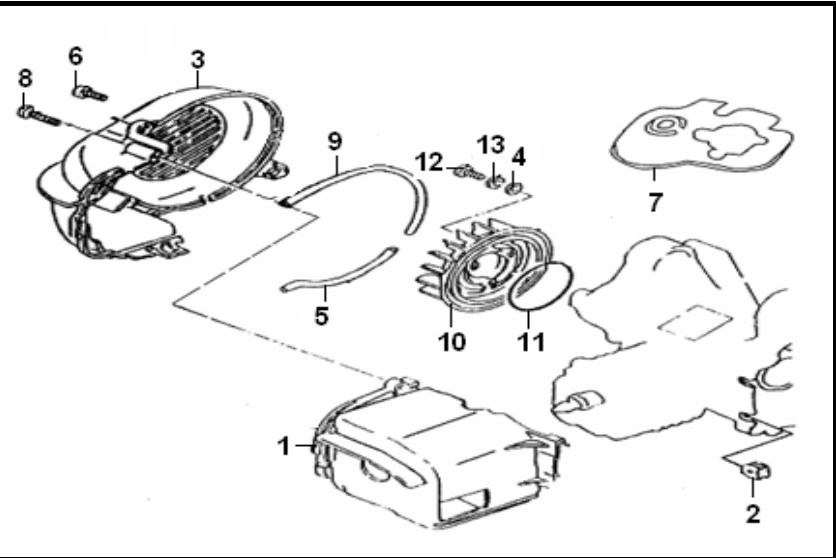


| | | | | |
|---|---------------|-----------------|---|----------------|
| 2 | B02000501463 | SCREW | 2 | |
| 3 | 15211G02F000 | PUMP DRIVE GEAR | 1 | |
| 4 | B090103014C0 | PIN | 1 | |
| 5 | 15106G02F910 | CIRCLIP | 2 | |
| 6 | 221405.103000 | HOSE,OIL INLET | 1 | |
| 7 | 19213G02F00A | HOSE CLIP | 2 | Chrome-plating |
| 8 | 221405.104000 | HOSE,OIL OUTLET | 1 | |
| 9 | 19217G02F00A | HOSE CLIP | 2 | Chrome-plating |
| | | | | |
| | | | | |



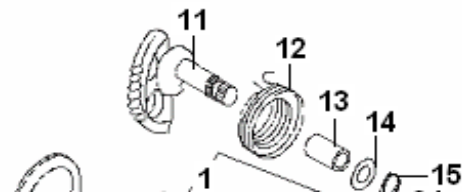
6

| NO | QJ CODE | DESCRIPTION | QTY | RMK |
|----|--------------|---------------------|-----|----------------|
| 1 | 20301B01F000 | COWLING,cylinder | 1 | |
| 2 | 20303G02F000 | GROMMET | 2 | |
| 3 | 20200B01F000 | COVER ASSY (FAN) | 1 | |
| 4 | B07030000600 | WASHER φ6 | 3 | |
| 5 | 20208G02F000 | BEADING (RUBBER) | 1 | 110 |
| 6 | 302270602065 | BOLT M6X20 | 2 | Chrome-plating |
| 7 | 20102G02F000 | DUST COVER (RUBBER) | 1 | |
| 8 | 3050355040F5 | SCREW ST5.5X40-F | 1 | Chrome-plating |
| 9 | 20206G02F000 | BEADING (RUBBER) | 1 | 220 |
| 10 | 20401B01F000 | FAN ASSY | 1 | |
| 11 | 20402G02F000 | RUBBER RING 70X3.1 | 1 | |
| 12 | 301310601665 | SCREW M6X16 | 3 | |
| 13 | B07000000600 | SPRING WASHER φ6 | 3 | |

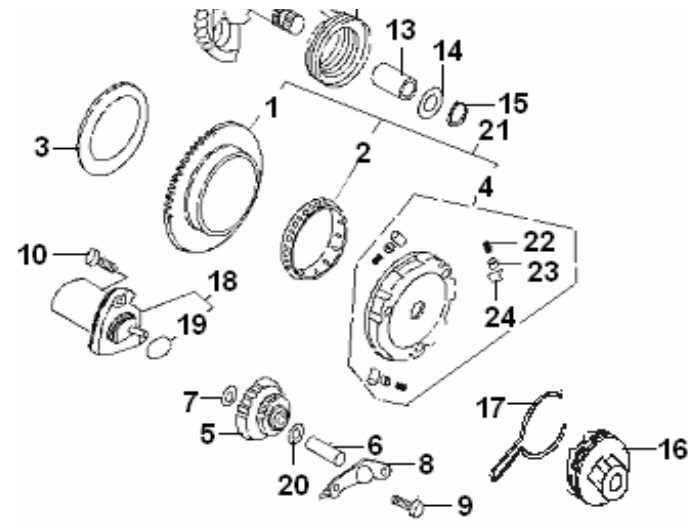


7

| NO | QJ CODE | DESCRIPTION | QTY | RMK |
|----|--------------|-----------------|-----|-----|
| 1 | 34120G02F000 | START GEAR ASSY | 1 | |
| 2 | 34121G02F000 | NEEDLE BEARING | 1 | |
| 3 | 34123G02F000 | THRUST WASHER | 1 | |



| | | | | |
|----|---------------|----------------------|---|----------------|
| 4 | 34110G02F00A | START HOLDER ASSY | 1 | |
| 5 | 34126G02F000 | DRIVEN GEAR,STARTER | 1 | |
| 6 | 26128G02F000 | IDLE GEAR SHAFT | 1 | |
| 7 | 34122G02F000 | PLATE WASHER | 1 | |
| 8 | 34125G02F000 | IDLE GEAR HOLDER | 1 | |
| 9 | B02000601063 | SCREW | 2 | |
| 10 | 302040602065 | SCREW | 2 | Chrome-plating |
| 11 | 216100.004000 | SHAFT, kick starter | 1 | |
| 12 | 17407G02F000 | SPRING | 1 | |
| 13 | 216217.001000 | BUSH | 1 | |
| 14 | 307991005552 | WASHER ,kick starter | 1 | |
| 15 | 308090150003 | CIRCLIP | 1 | 镀彩锌 |
| 16 | 17415G02F000 | KICK PINION ASSY | 1 | |
| 17 | 17418G02F930 | CLIP | 1 | |
| 18 | 218100.051472 | STARTING MOTOR ASSY | 1 | Chrome-plating |
| 19 | B190102120B0 | O-RING | 1 | |
| 20 | 34130G02F000 | PLATE WASHER | 1 | |
| 21 | 217100.100000 | START CLUTCH ASSY | 1 | |
| 22 | 34404G02F00A | SPRING | 3 | |
| 23 | 34405G02F00A | CAP | 3 | |
| 24 | 34402G02F00A | ROLLER | 3 | |

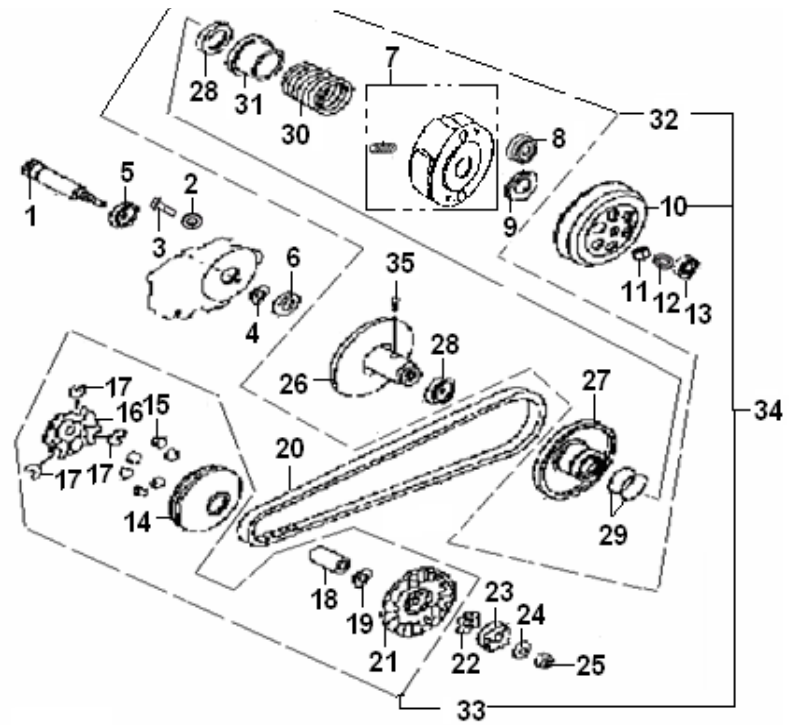


8

| NO | QJ CODE | DESCRIPTION | QTY | RMK |
|----|--------------|-------------------------|-----|--|
| 1 | 24201B01F000 | PRIMARY DRIVE SHAFT old | 1 | Old primary drive shaft with one ring |
| | 220011160000 | PRIMARY DRIVE SHAFT new | 1 | New primary drive shaft with two rings No.12 φ5.5X1.5mm |
| 2 | 18114G02F000 | PLATE WASHER | 1 | |
| 3 | B01090801263 | PAN HEAD SCREW | 1 | 镀彩锌 |



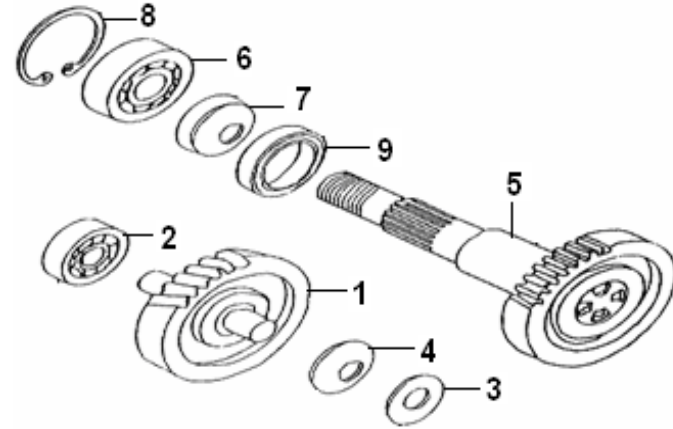
| | | | | |
|----|---------------------|-----------------------|----------|---|
| 4 | B08010001700 | CIRCLIP | 1 | |
| 5 | B12016600300 | ROLING BEARING | 1 | |
| 6 | 24203G02F000 | OIL SEAL | 1 | |
| 7 | 24301B01F000 | CLUTCH ASSY,shoe | 1 | |
| 8 | 24245G02F000 | BALL BEARING 6003 | 1 | |
| 9 | 24303G02F000 | NUT | 1 | |
| 10 | 24700G02F000 | CLUTCH DRUM | 1 | |
| 11 | 24305G02F940 | NUT | 1 | |
| 12 | 24243G02F000 | O-RING | 1 | for old primary drive shaft No. 1 |
| | 200492080000 | RING φ5.5X1.5 | 2 | primary drive shaft No. 1 |
| 13 | 24209G02F000 | BEARING 8X28X8 | 1 | |
| 14 | 24101G02F000 | FACE, movable drive | 1 | |
| 15 | 213119.003000 | ROLLER | 6 | 重5g |
| 16 | 24103G02F000 | PLATE, movable drive | 1 | |
| 17 | 24104G02F000 | DAMPER | 3 | |
| 18 | 24105G02F000 | COLLAR | 1 | |
| 19 | 24106B01F000 | WASHER | 1 | |
| 20 | 24107B01F000 | V BELT , DRIVE | 1 | |
| 21 | 24108G02F000 | FACE , FIXED DRIVE | 1 | |
| 22 | 24109G02F000 | STAR WASHER | 1 | |
| 23 | 213203.001161 | RATCHET (STARTING) | 1 | |
| 24 | 15112G02F010 | WASHER , SPRING | 1 | |
| 25 | B04031212553 | NUT | 1 | |
| 26 | 24204G02F000 | FACE , FIXED DRIVEN | 1 | |
| 27 | 24205G02F000 | FACE , MOVABLE DRIVEN | 1 | |
| 28 | 24206G02F000 | OIL SEAL | 2 | |
| 29 | 24207G02F000 | O-RING | 2 | |
| 30 | 24308B01F000 | SPRING | 1 | |
| 31 | 24309G02F930 | SEAT , SPRING | 1 | |
| 32 | 24200B01F000 | DRIVEN PULLEY COMP. | 1 | |
| 33 | 213100.039000 | DRIVE PULLEY COMP. | 1 | |



| | | | | |
|----|---------------|-------------|---|----|
| 34 | 213100.010000 | SHIFT ASSY | 1 | 5g |
| 35 | 24208G02F000 | PIN , GUIDE | 2 | |

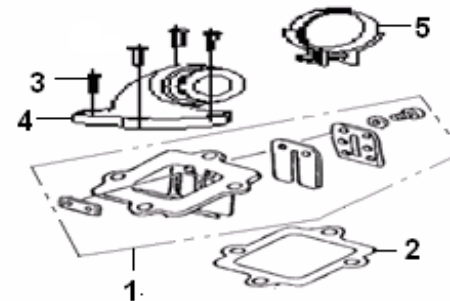
9 TRANSMISSION SYSTEM ASSY

| NO | QJ CODE | DESCRIPTION | QTY | RMK |
|----|--------------|------------------------|-----|-----|
| 1 | 17800B01F000 | SHAFT , IDLE | 1 | |
| 2 | B12016620100 | BEARING 6201 | 1 | |
| 3 | 17509G02F000 | PLATE WASHER12 | 1 | |
| 4 | 17802G02F000 | WASHER , CONICAL | 1 | |
| 5 | 17300B01F000 | DRIVEN SHAFT(GEAR BOX) | 1 | |
| 6 | B12016600400 | BEARING | 1 | |
| 7 | 17317G02F000 | OIL SEAL | 1 | |
| 8 | 17308G02F000 | CIRCLIP | 1 | |
| 9 | 26136G02F000 | NEEDLE BEARING | 1 | |
| | | | | |
| | | | | |
| | | | | |
| | | | | |



10 REED VALVE ASSY

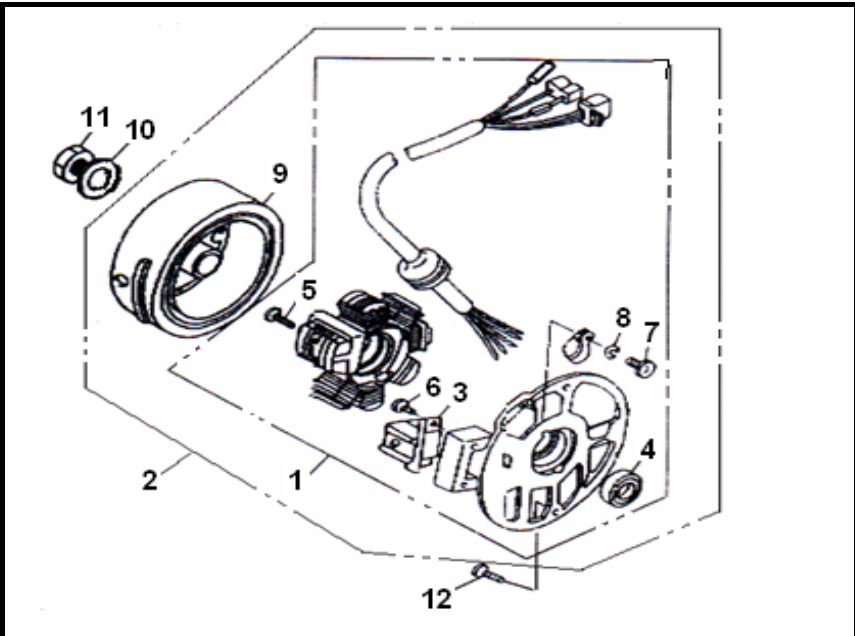
| NO | QJ CODE | DESCRIPTION | QTY | RMK |
|----|---------------|-------------------|-----|----------------|
| 1 | 32300G02F000 | REED VALVE ASSY | 1 | 双开、正常 |
| 2 | 202306.002000 | VALVE SEAT GASKET | 1 | Non-asbestos |
| 3 | 302040602065 | SCREW | 4 | Chrome-plating |
| 4 | 32200G02F000 | PIPE, intake | 1 | |
| 5 | 202104.006000 | CLIP | 1 | |
| | | | | |
| | | | | |
| | | | | |
| | | | | |



| | | | | |
|--|--|--|--|--|
| | | | | |
|--|--|--|--|--|

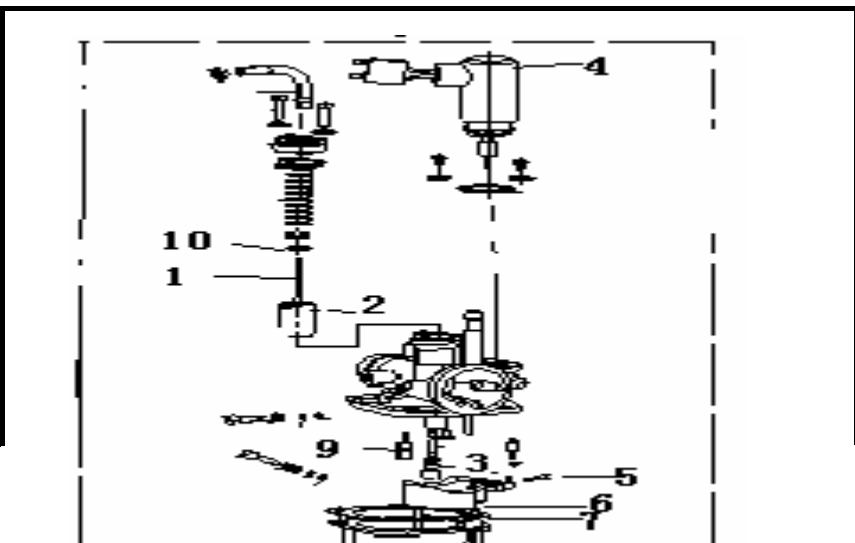
11 MAGNETO ASSY

| NO | QJ CODE | DESCRIPTION | QTY | RMK |
|----|---------------|----------------|-----|-----|
| 1 | 34310G02F000 | COIL ASSY | 1 | |
| 2 | 223100.100000 | MAGNETO ASSY | 1 | 15° |
| 3 | 34330G02F000 | PULSE TRIGGER | 1 | |
| 4 | 34350G02F000 | OIL SEAT | 1 | |
| 5 | B02000502522 | SCREW | 2 | |
| 6 | B02000501262 | SCREW | 2 | |
| 7 | B02000400622 | SCREW | 1 | |
| 8 | B07000000400 | SPRING WASHER | 1 | |
| 9 | 223101.019000 | FLY WHEEL ASSY | 1 | 15° |
| 10 | B07030001200 | WASHER | 1 | |
| 11 | 15228H03F000 | NUT | 1 | |
| 12 | B01070601664 | NUT | 2 | |
| | | | | |
| | | | | |
| | | | | |



12 CARBURETOR ASSY

| NO | QJ CODE | DESCRIPTION | QTY | RMK |
|----|---------------|-----------------|-----|--------|
| 1 | 32510B01F000 | NEEDLE, jet | 1 | |
| 2 | 32511B01F000 | VALVE,PISTON | 1 | |
| 3 | 224202.104000 | JET, main | 1 | 70 |
| 4 | 32612B01F000 | ENRICH VALVE | 1 | |
| 5 | 32619B01F000 | PIN, float | 1 | |
| 6 | 32620B01F000 | FLOAT | 1 | |
| 7 | 32701B01F000 | GASKET | 1 | |
| 8 | 224100.091000 | CARBURETOR ASSY | 1 | MIKUNI |
| 9 | 224203.104000 | JET, idle | 1 | 15 |
| 10 | 32508B01F000 | CLIPMM,V shape | 1 | |



| | | | | |
|--|--|--|--|--|
| | | | | |
| | | | | |
| | | | | |
| | | | | |
| | | | | |
| | | | | |
| | | | | |
| | | | | |
| | | | | |
| | | | | |

