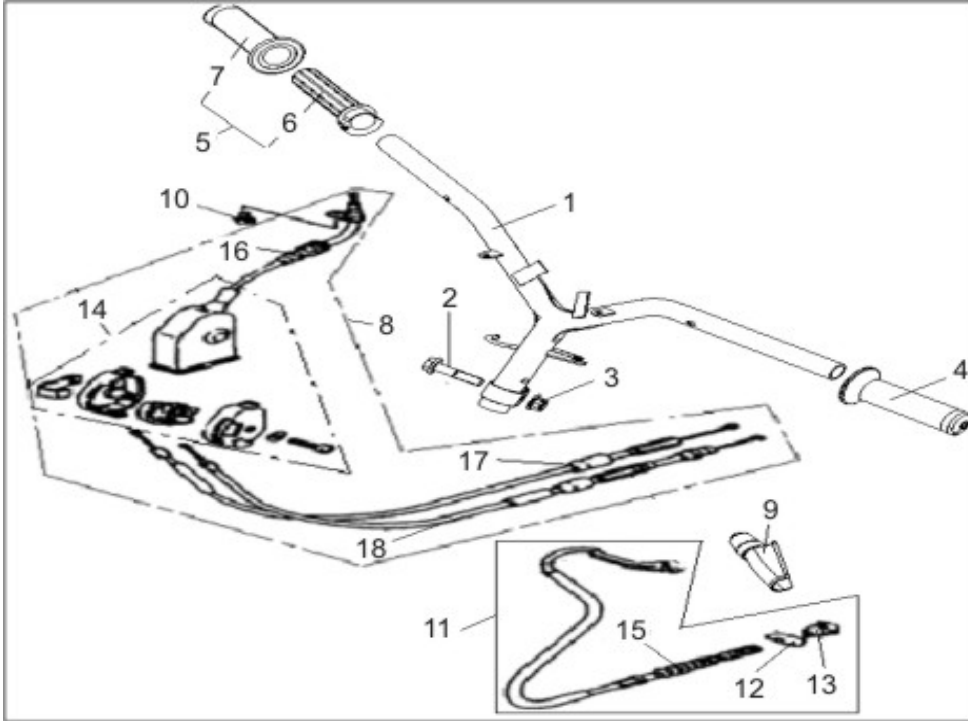


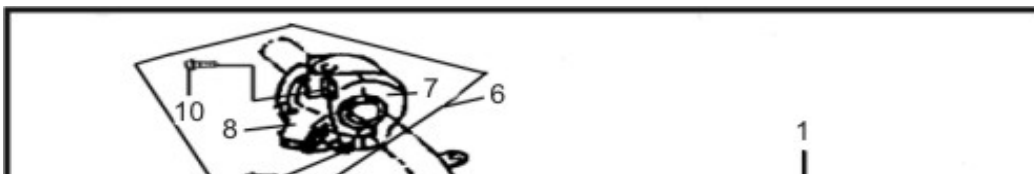
TNG SS492 BODY PARTS

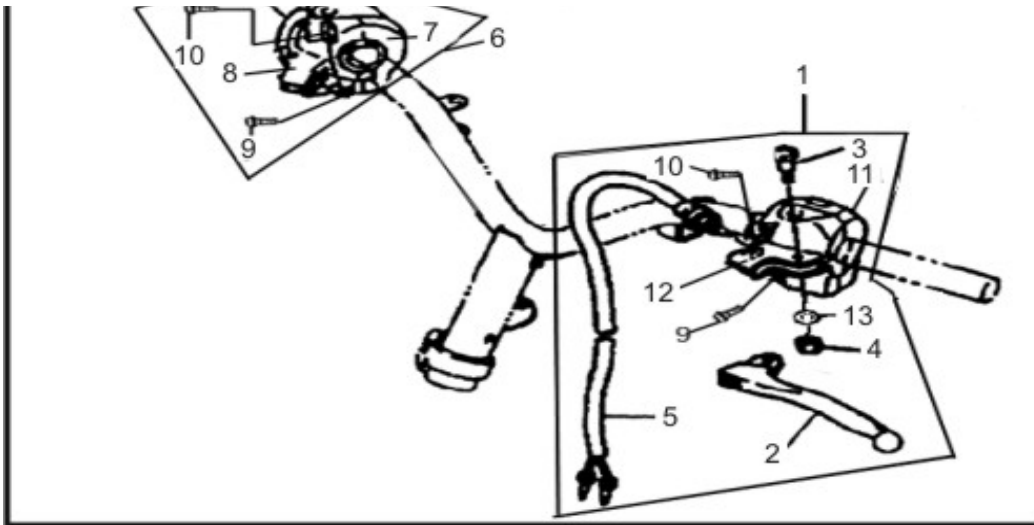


(Click line item in left column for more information)

(Prices and specifications subject to change)

Item	P/N	Description
1	<a href="#">SS49-B01.01</a>	Handlebar
2	<a href="#">VN49-B06.20</a>	Bolt M10 x 1.25 x 45
3	<a href="#">SS49-B01.03</a>	U Nut 10 x 1.25mm
4	<a href="#">SS49-B01.04</a>	Left Grip
5	<a href="#">SS49-B01.05</a>	Right Grip Assy.
8	<a href="#">SS49-B01.08</a>	Throttle Cable Assy
9	<a href="#">SS49-B01.09</a>	Rear Brake Cable Jacket
11	<a href="#">SS49-B01.11</a>	Brake Cable Assy
13	<a href="#">SS49-B01.13</a>	Rear Fender
98	<a href="#">VN49-B04.15B</a> <a href="#">More info</a>	Front Turn Signal - Left (Handlebar) Amber Lens DOT
99	<a href="#">VN49-B04.16B</a> <a href="#">More info</a>	Front Turn Signal - Right (Handlebar) Amber Lens DOT

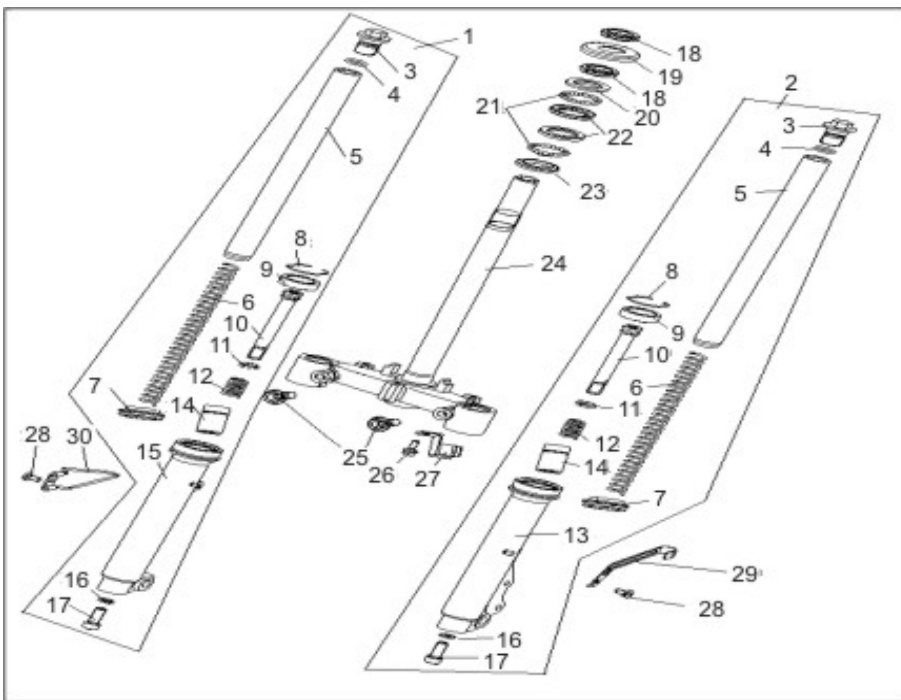




(Click line item in left column for more information)

(Prices and specifications subject to change)

Item	P/N	Description
1	<a href="#">SS49-B02.01</a>	Left Control Switch
2	<a href="#">SS49-B02.02</a>	Left Brake Lever (145mm)
6	<a href="#">SS49-B02.06</a>	Right Control Switch

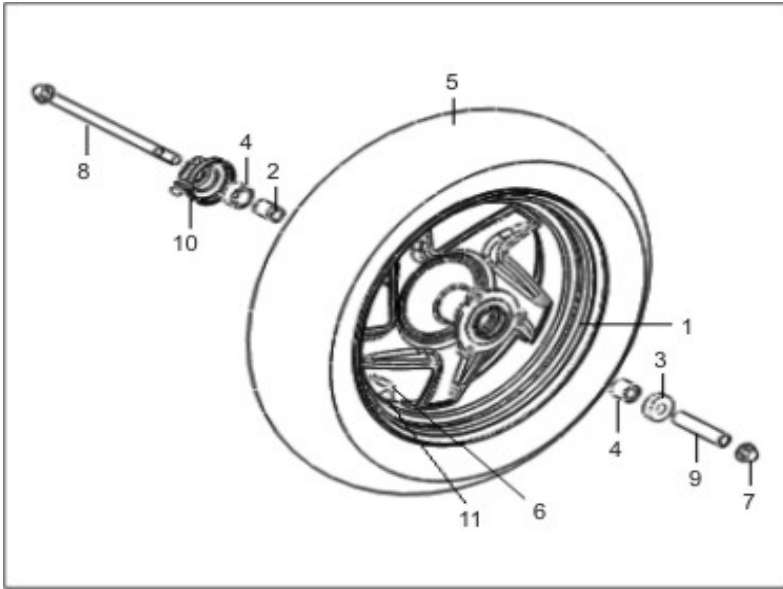


(Click line item in left column for more information)

(Prices and specifications subject to change)

Item	P/N	Description
1	<a href="#">SS49-B03.01</a>	Front Right Fork
2	<a href="#">SS49-B03.02</a>	Front Left Fork
19	<a href="#">SS49-B03.19</a>	Ball Race Cover

20	<a href="#">SS49-B03.20</a>	Ball Race Connecting
21	<a href="#">SS49-B03.21</a>	Steel Ball 5 (Set of 42)
22	<a href="#">SS49-B03.22</a>	Ball Race 2
23	<a href="#">SS49-B03.23</a>	Ball Race 4
24	<a href="#">SS49-B03.24</a>	Steering Column

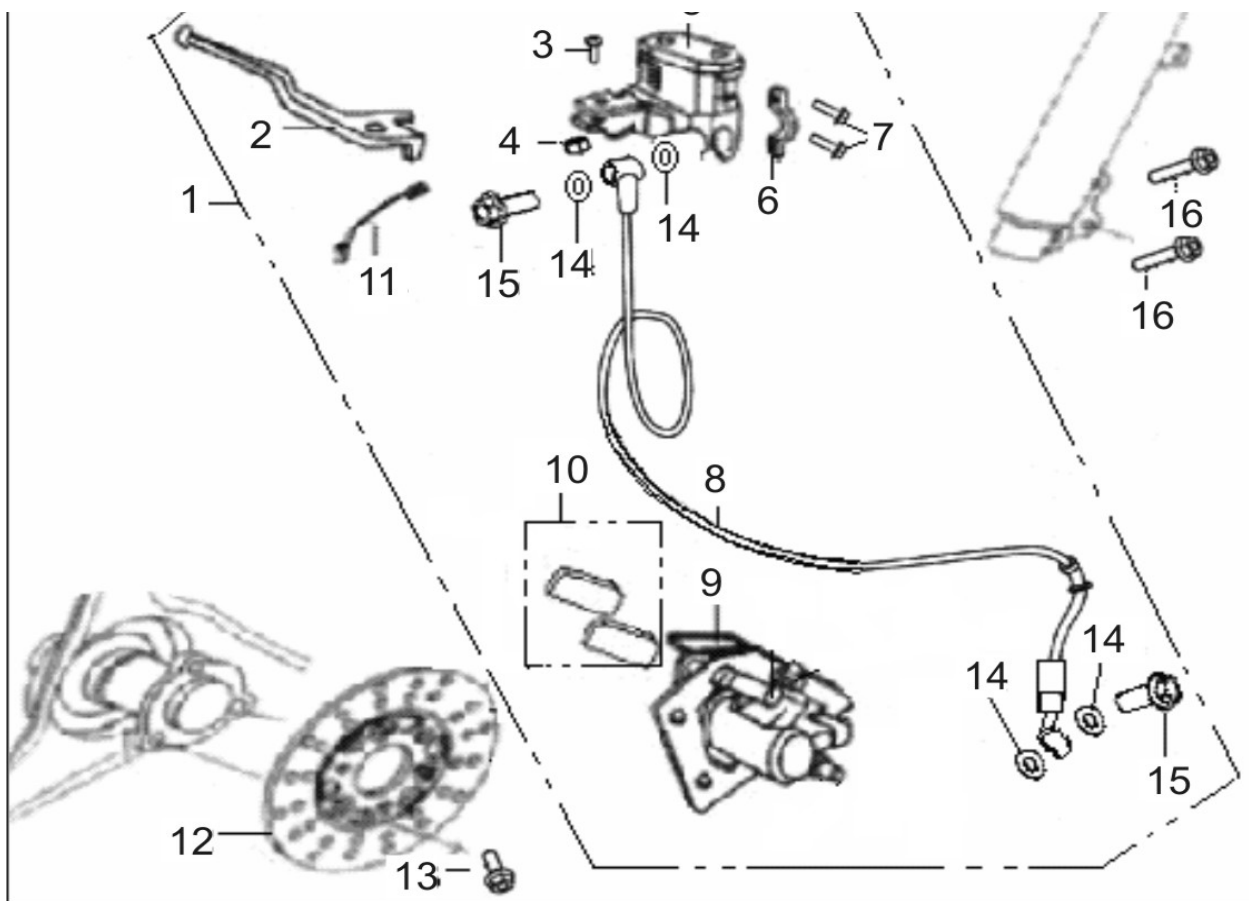


(Click line item in left column for more information)

(Prices and specifications subject to change)

Item	P/N	Description
1	<a href="#">SS49-B04.01</a>	Front Wheel Rim 3.5 x 12" (DOT)
2	<a href="#">SS49-B04.02</a>	Collar
3	<a href="#">SS49-B04.03</a>	Oil Seal 22x35x7 R
4	<a href="#">SS49-B04.04</a>	Ball Bearing 6201-2RS
5	<a href="#">SS49-B04.05</a>	Front Tire 120/70-12 (DOT)
7	<a href="#">SS49-B04.07</a>	Nut 12x1.25mm
8	<a href="#">SS49-B04.08</a>	Front Wheel Axle
9	<a href="#">SS49-B04.09</a>	Collar
10	<a href="#">SS49-B04.10</a>	Speedometer Pickup





Item	P/N	Description
1	<a href="#">SS49-B05.01</a>	Front Brake Assy
2	<a href="#">SS49-B05.02</a> <a href="#">More info</a>	Front Brake Lever
3	<a href="#">SS49-B05.03</a>	Lever Mounting Screw
5	<a href="#">SS49-B05.05</a>	Master Brake Cylinder
6	<a href="#">SS49-B05.06</a>	Master Brake Cylinder Bracket
8	<a href="#">SS49-B05.08</a>	Brake Hose, DOT
9	<a href="#">SS49-B05.09</a>	Front Brake Caliper
10	<a href="#">SS49-B05.10</a>	Front Brake Pad Kit
11	<a href="#">SS49-B05.11</a>	Front Brake Switch
12	<a href="#">SS49-B05.12</a> <a href="#">More info</a>	Front Brake Rotor
13	<a href="#">SS49-B05.13</a>	Bolt
18	<a href="#">SS49-B05.18</a>	Disc Brake Bolt