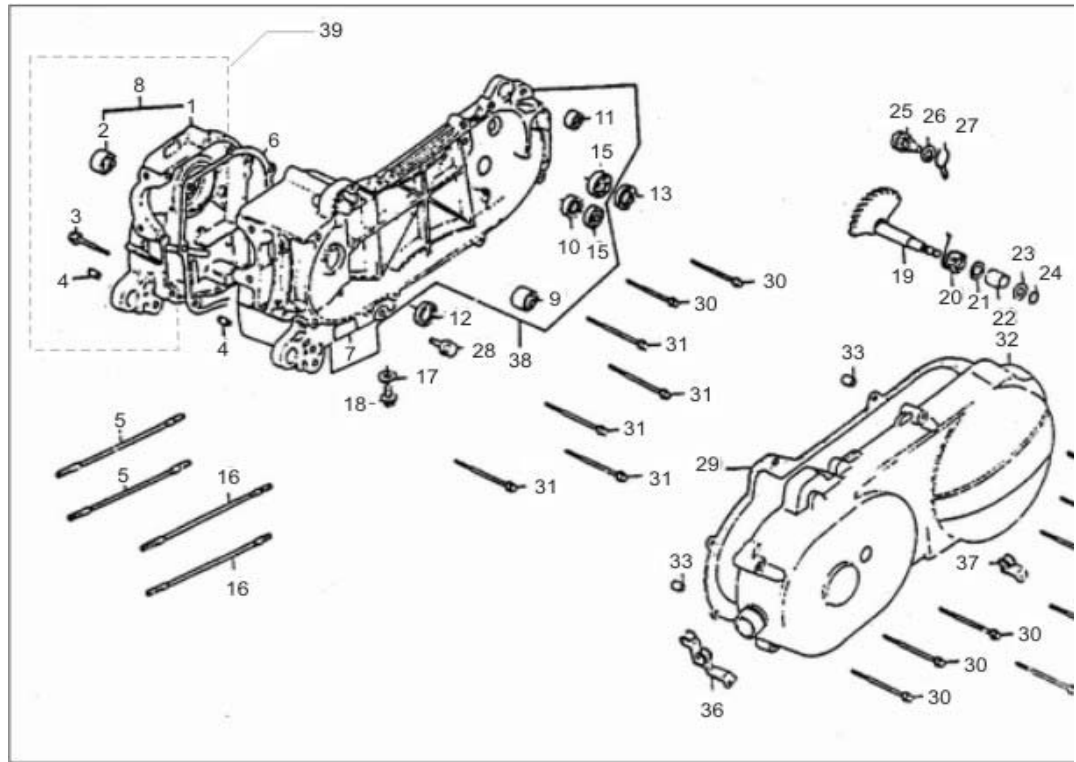


TNG ML49 this is the QMB49 49cc 4 stroke version of the ML49 by CMSI

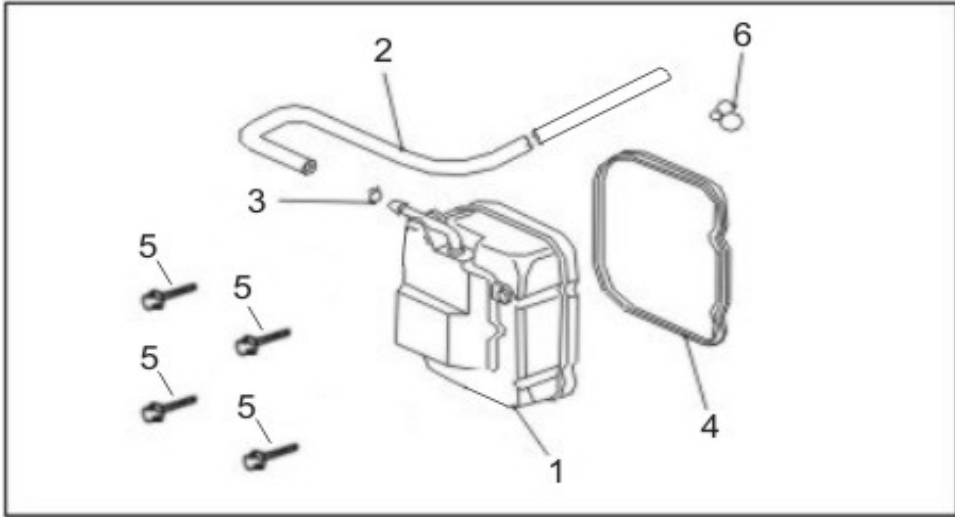


(Click line item in left column for more information)

(Prices and specifications subject to change)

Item	P/N	Description
1	<a href="#">494J-E01.01</a>	R. case body
6	<a href="#">494J-E01.06</a>	Gasket, Crankcase
10	<a href="#">VN49-E10.02</a>	Radial bearing 6201
17	<a href="#">494J-E01.17</a>	Washer 8
18	<a href="#">494J-E01.18</a>	Bolt
19	<a href="#">494J-E01.19</a>	Kick Start Gear
20	<a href="#">494J-E01.20</a>	Spring, starting shaft
21	<a href="#">494J-E01.21</a>	Sleeve
22	<a href="#">494J-E01.22</a>	Bush, starting arm
23	<a href="#">494J-E01.23</a>	Washer

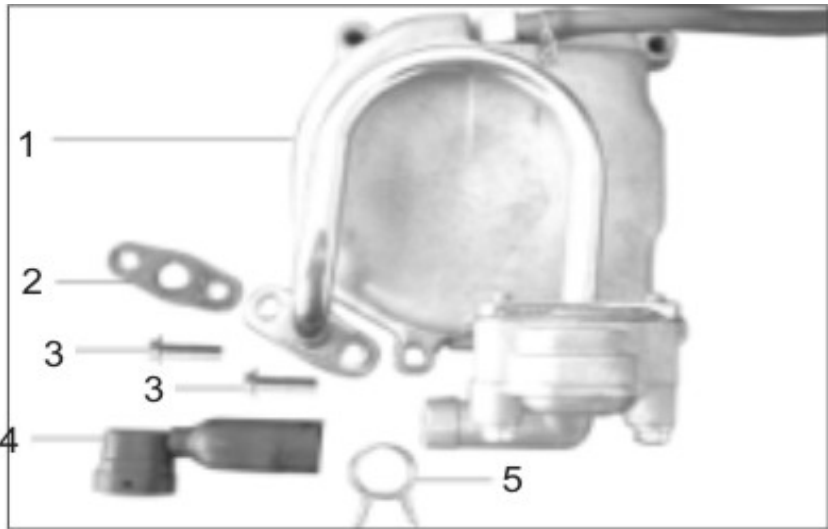
- 24      [494J-E01.24](#)              Clip ring 14
- 25      [494J-E01.25A](#)             Starting driven gear
- 29      [494J-E01.29](#)              Gasket, L. Crankcase Cover
- 32      [494J-E01.32](#)              Cover, L. Crankcase



(Click line item in left column for more information)

(Prices and specifications subject to change)

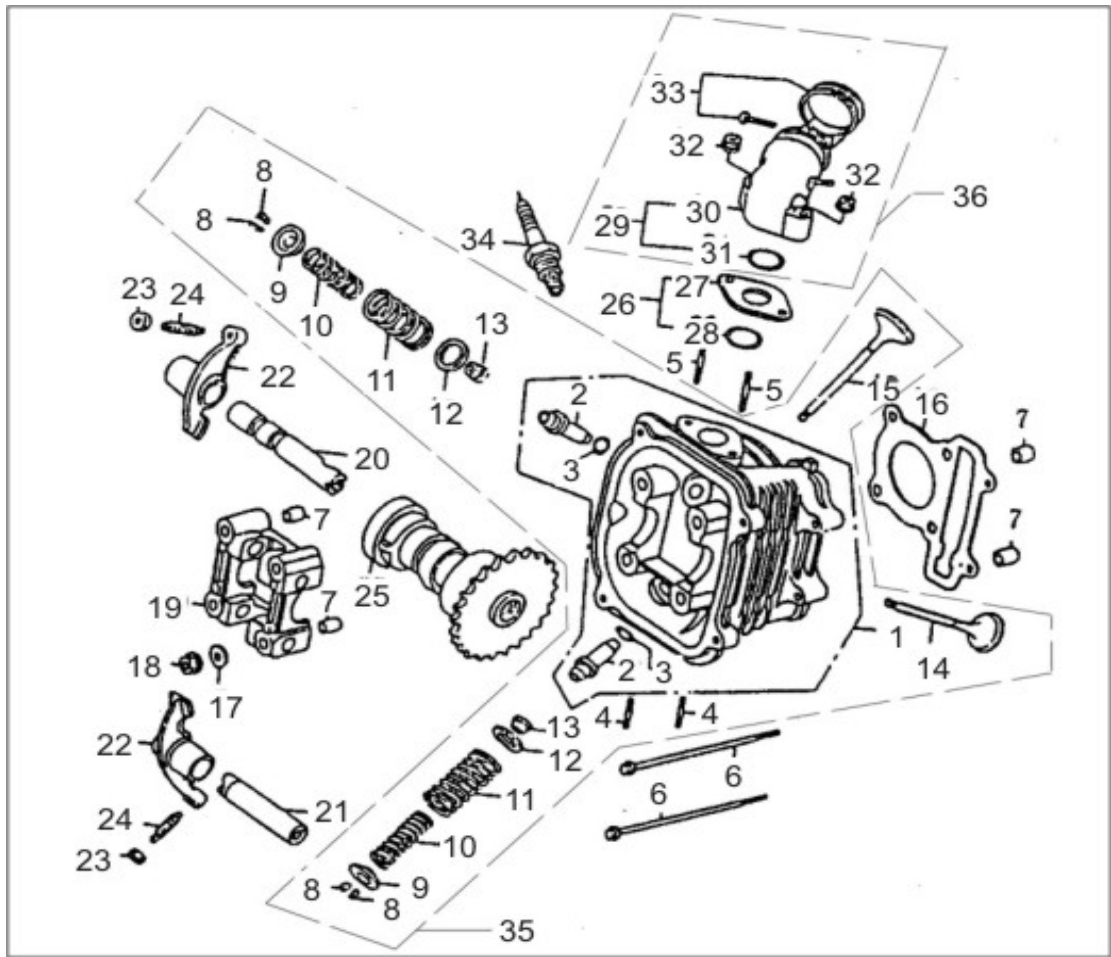
Item	P/N	Description
4	<a href="#">494J-E02.04</a>	Valve cover gasket (Rubber)



(Click line item in left column for more information)

(Prices and specifications subject to change)

Item	P/N	Description
1	<a href="#">494J-E03.01</a>	Cylinder head cover assy 2nd Air System
2	<a href="#">494J-E03.02</a>	Gasket, Intake Pipe, Secondary Air Tube
3	<a href="#">494J-E03.03</a>	Bolt M6x25
4	<a href="#">494J-E03.04</a>	Air Filter Assy.

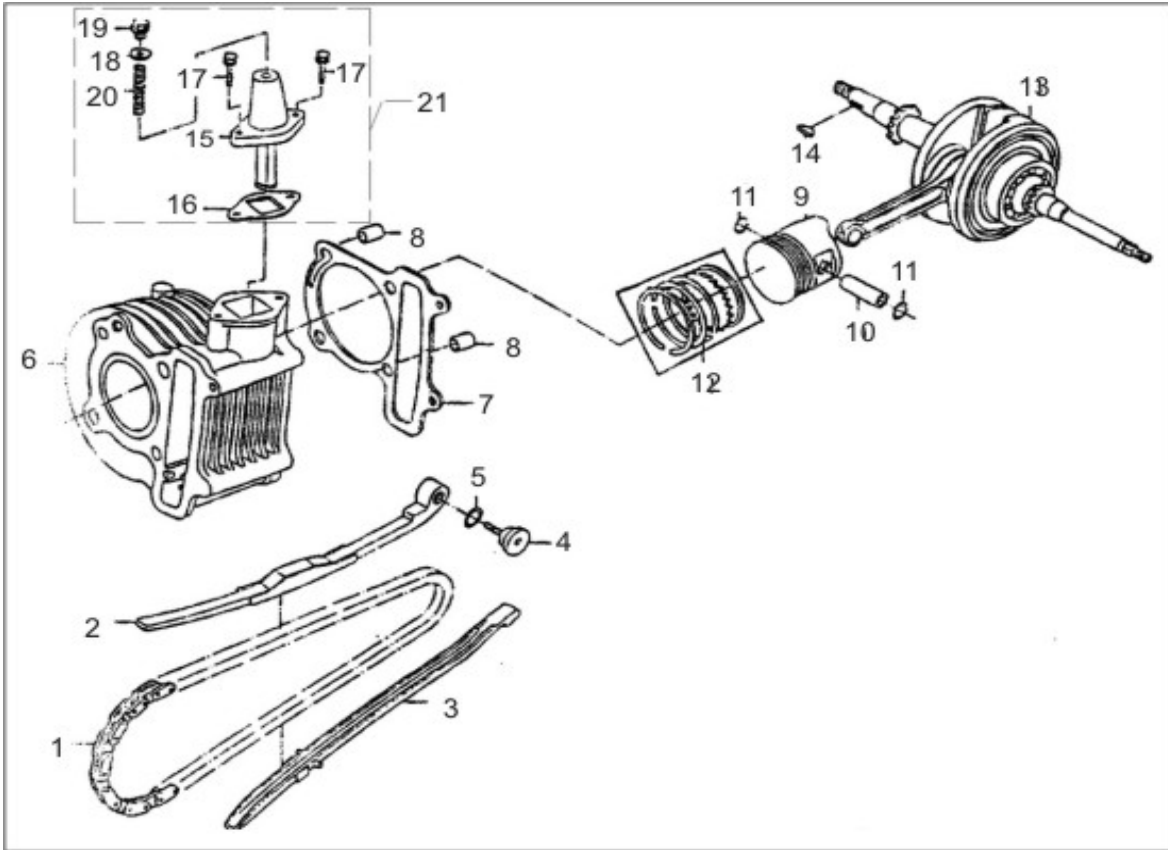


(Click the item in left column for more information)

(Prices and specifications subject to change)

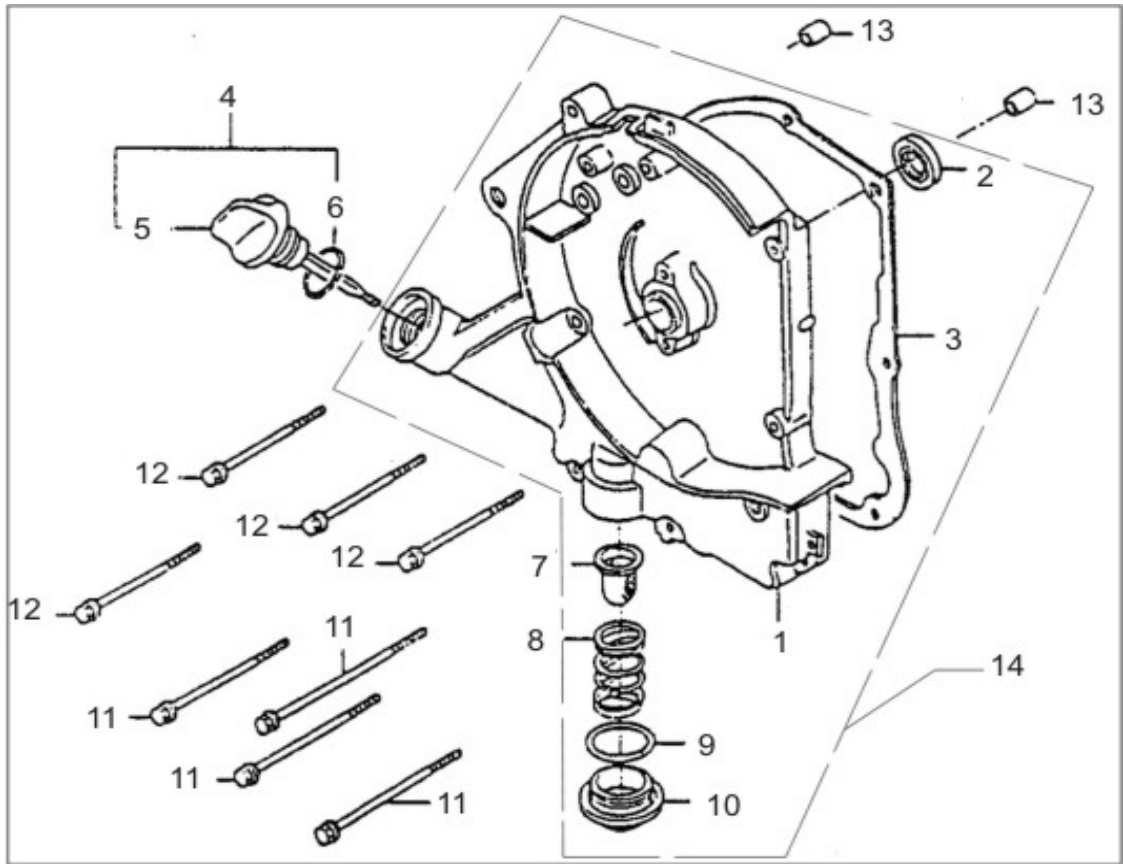
Item	P/N	Description
1	<a href="#">494J-E04.01A</a>	Cylinder Head w/2nd Air System
16	<a href="#">494J-E04.16</a>	Head gasket (Metal)
23	<a href="#">494J-E04.23</a>	Adjusting nut, valve gap
24	<a href="#">494J-E04.24</a>	Adjusting bolt, valve gap
26	<a href="#">494J-E04.26</a>	Heat insulation plate comp., carburetor

- 33      [494J-E04.33](#)                      Inlet pipe clamp assy
- 35      [494J-E04.35](#)                      Cylinder Head Assy. W/secondary air system
- 36      [494J-E04.36](#)                      Inlet pipe comp.



Item	P/N	Description
6	<a href="#">494J-E05.06</a>	Cylinder
7	<a href="#">494J-E05.07</a>	Cylinder Base Gasket (Paper)
9	<a href="#">494J-E05.09</a>	Piston
10	<a href="#">494J-E05.10</a>	Pin, piston
11	<a href="#">494J-E05.11</a>	Clip, piston pin
12	<a href="#">494J-E05.12</a>	Piston ring comp.
13	<a href="#">494J-E05.13</a>	Crankshaft comp.
14	<a href="#">494J-E05.14</a>	Woodruff Key
16	<a href="#">494J-E05.16</a>	Gasket, Chain Adjuster



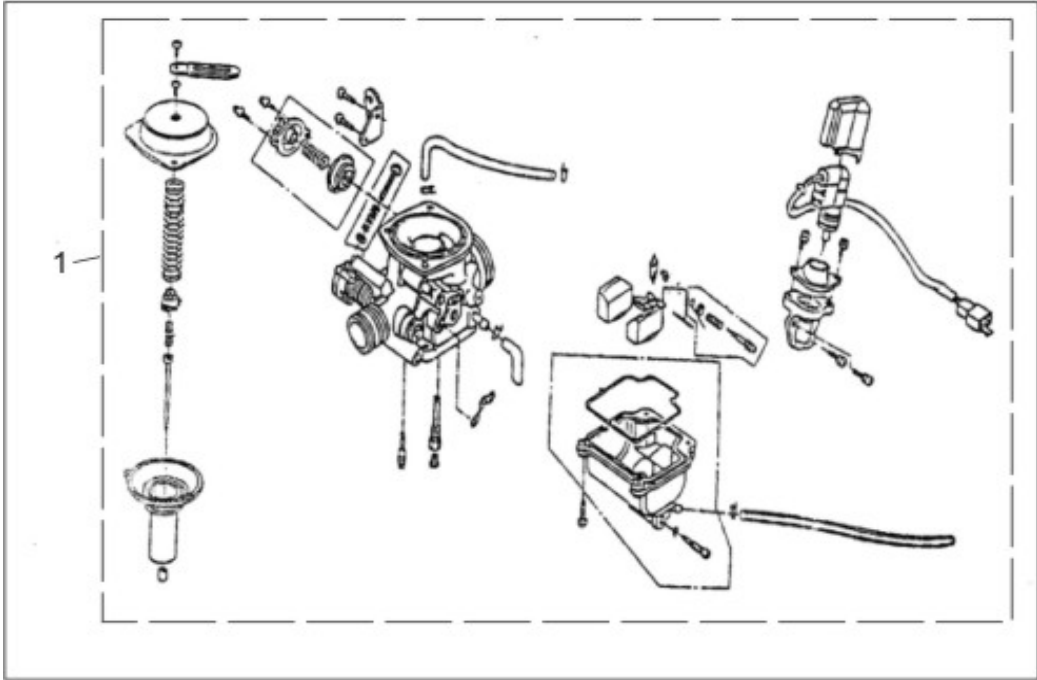


(Click line item in left column for more information)

(Prices and specifications subject to change)

**ML 49 TNG 4 STROKE QMB139 50cc CMSI**

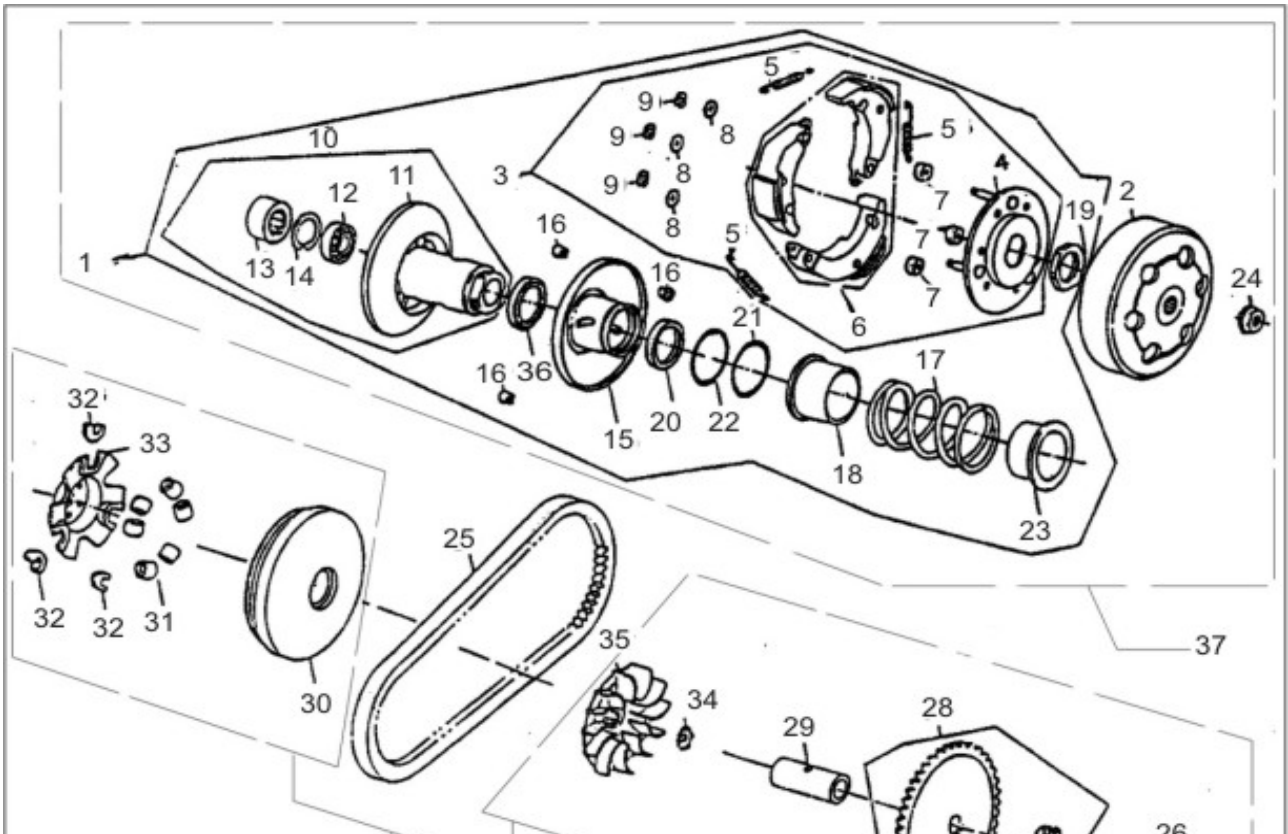
Item	P/N	Description
2	<a href="#">494J-E06.02</a>	Oil seal 16.4x30x5
3	<a href="#">494J-E06.03</a>	Gasket, R.Crankcase Cover
4	<a href="#">494J-E06.04</a>	Dipstick Assy.
7	<a href="#">494J-E06.07</a>	Oil filter screen
14	<a href="#">494J-E06.14</a>	Cover comp. , Crankcase R.

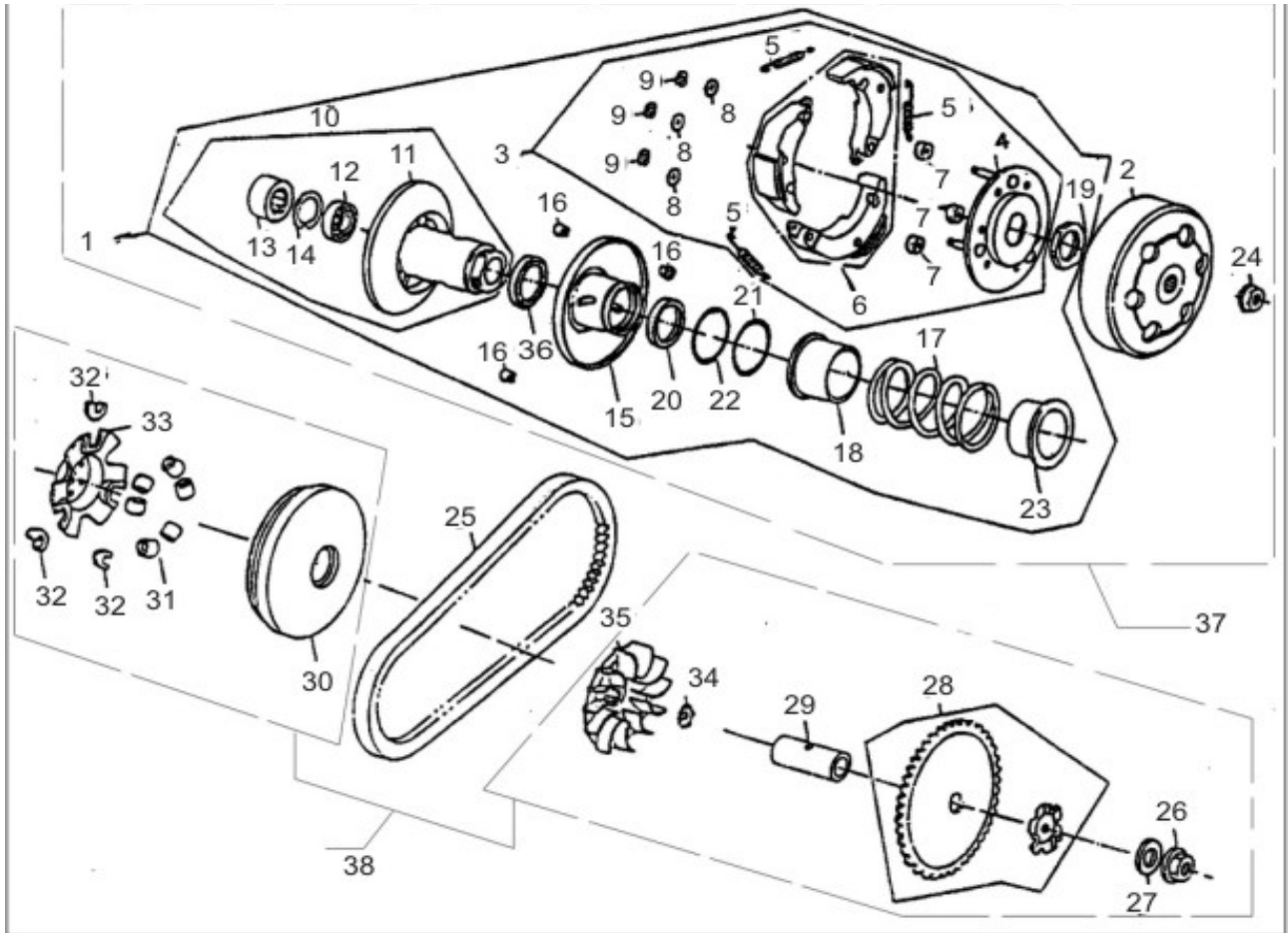


(Click line item in left column for more information)

(Prices and specifications subject to change)

Item	P/N	Description
1	<a href="#">494J-E07.01</a>	Carburetor

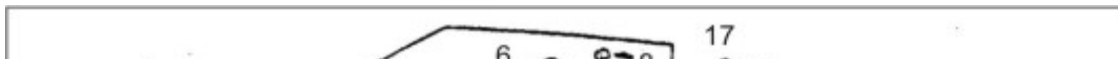


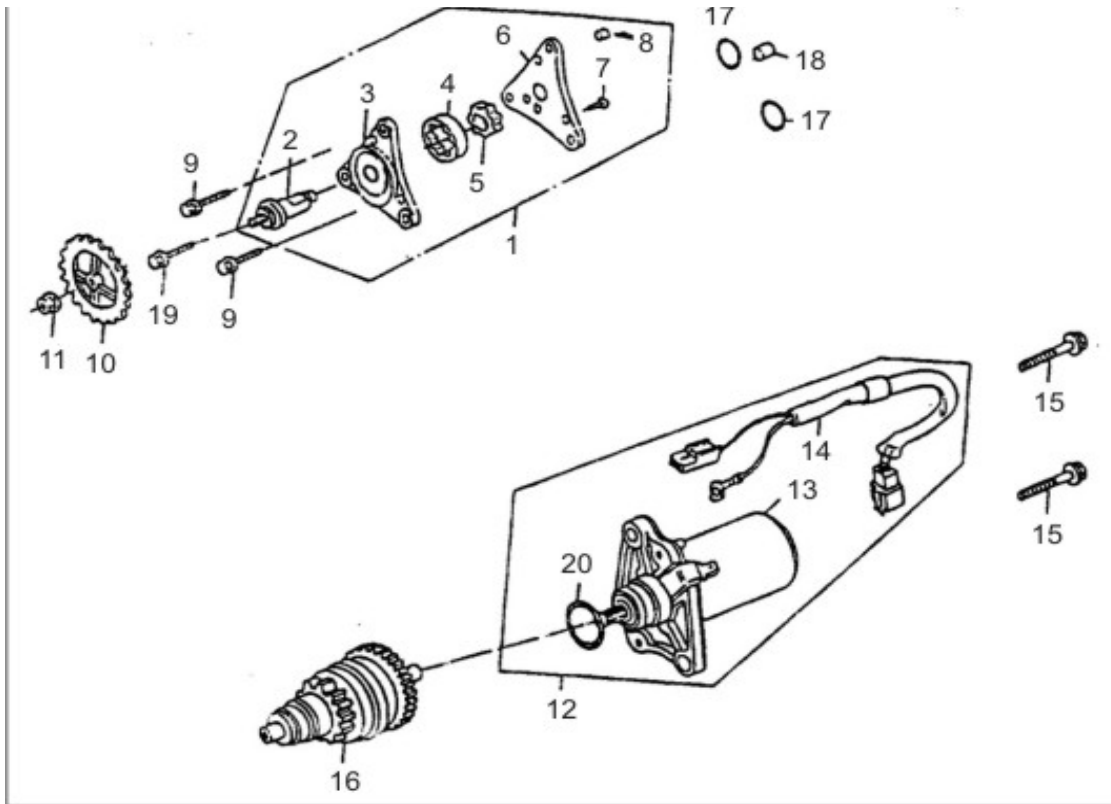


(Click line item in left column for more information)

(Prices and specifications subject to change)

Item	P/N	Description
1	<a href="#">494J-E08.01</a>	Driven pulley comp.
2	<a href="#">494J-E08.02</a>	Cover, Clutch
3	<a href="#">494J-E08.03</a>	Clutch
25	<a href="#">494J-E08.25</a>	V-Belt 669 18.1
31	<a href="#">494J-E08.31</a>	Rollers
33	<a href="#">494J-E08.33</a>	Bevel plate
35	<a href="#">494J-E08.35</a>	Cooling fan
37	<a href="#">494J-E08.37</a>	Clutch assy, RR.
38	<a href="#">494J-E08.38</a>	Clutch assy, FR.

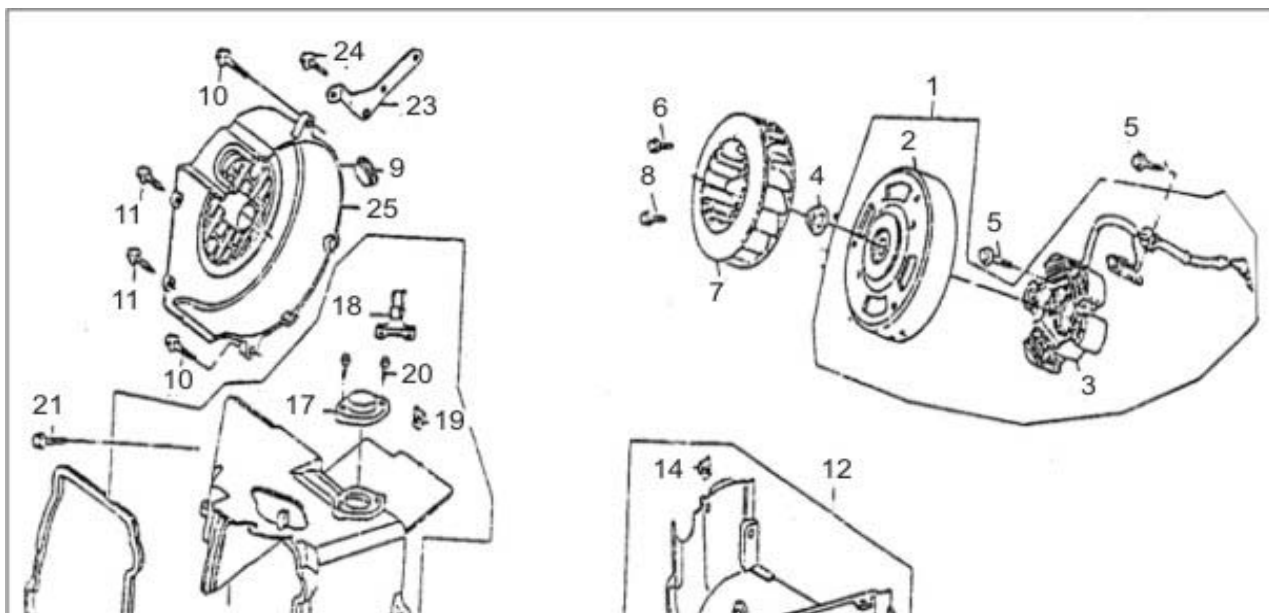


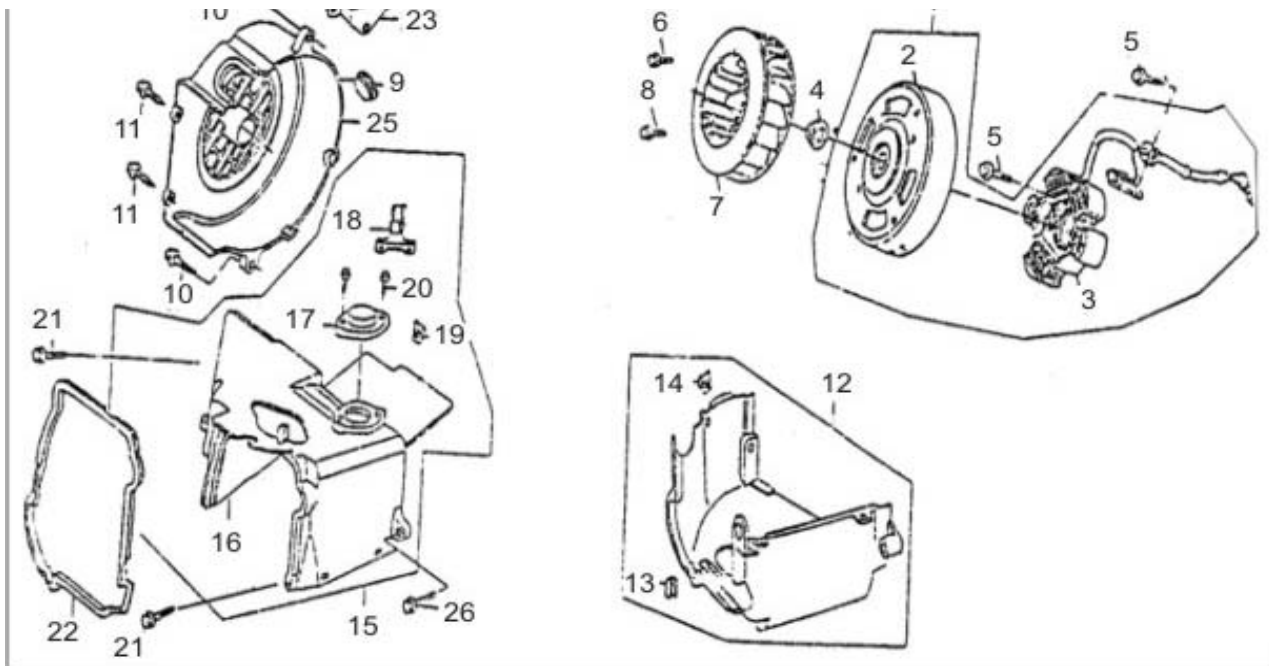


(Click line item in left column for more information)

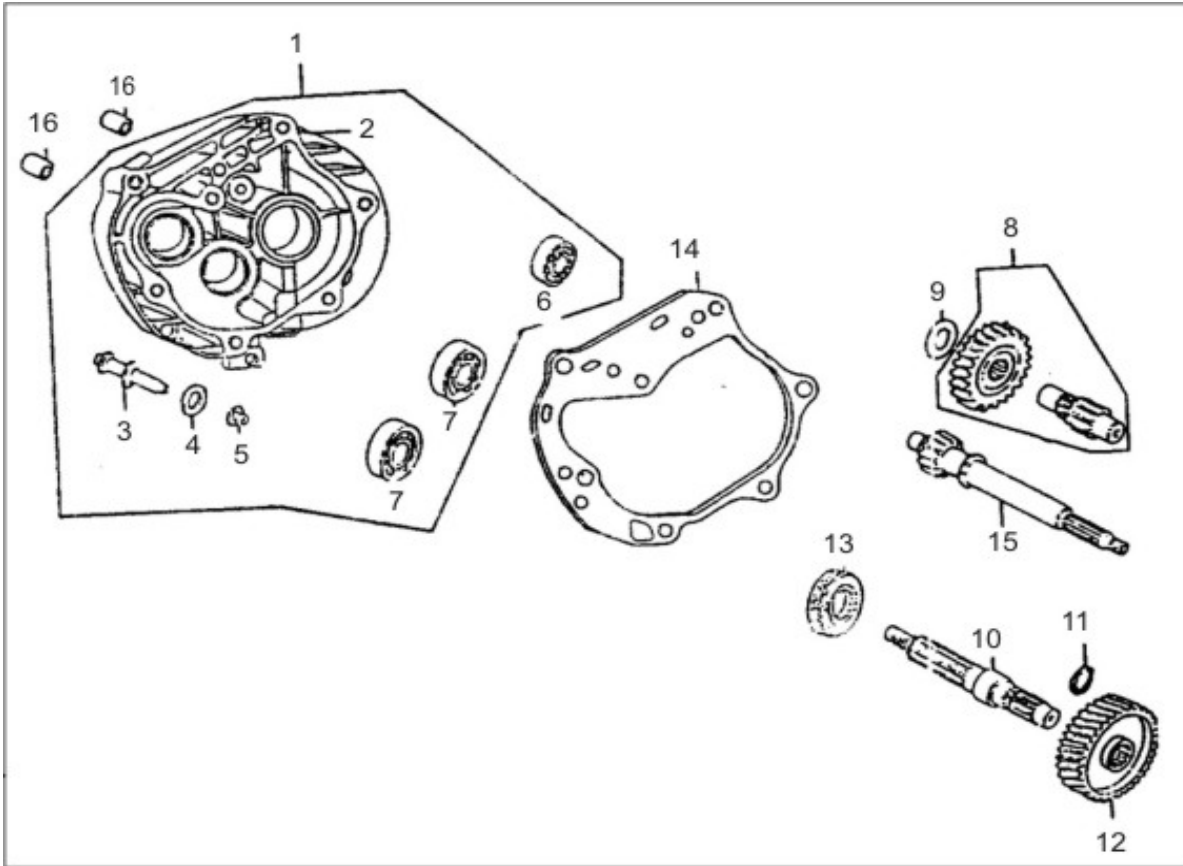
(Prices and specifications subject to change)

Item	P/N	Description
1	<a href="#">494J-E09.01</a>	Oil pump set
12	<a href="#">494J-E09.12</a>	Starting Motor Set
16	<a href="#">494J-E09.16</a>	Starting Gear Comp.





Item	P/N	Description
1	<a href="#">494J-E10.01</a>	Stator/Generator
7	<a href="#">494J-E10.07</a>	Fan
12	<a href="#">494J-E10.12</a>	A set, cover
15	<a href="#">494J-E10.15</a>	B set, cover
22	<a href="#">494J-E10.22</a>	Oil seal, cover
25	<a href="#">494J-E10.25</a>	Cooling Fan Cover



(Click line item in left column for more information)

(Prices and specifications subject to change)

Item	P/N	Description
1	<a href="#">494J-E11.01</a>	Spindle Head Set
8	<a href="#">494J-E11.08</a>	Transmission Countershaft
9	<a href="#">494J-E11.09</a>	Washer 12
10	<a href="#">494J-E11.10</a>	Driven Shaft
12	<a href="#">494J-E11.12</a>	Driven Gear
13	<a href="#">494J-E11.13</a>	Oil seal 27x42x7
14	<a href="#">494J-E11.14</a>	Lining, Spindle Cover
15	<a href="#">494J-E11.15</a>	Driving Shaft