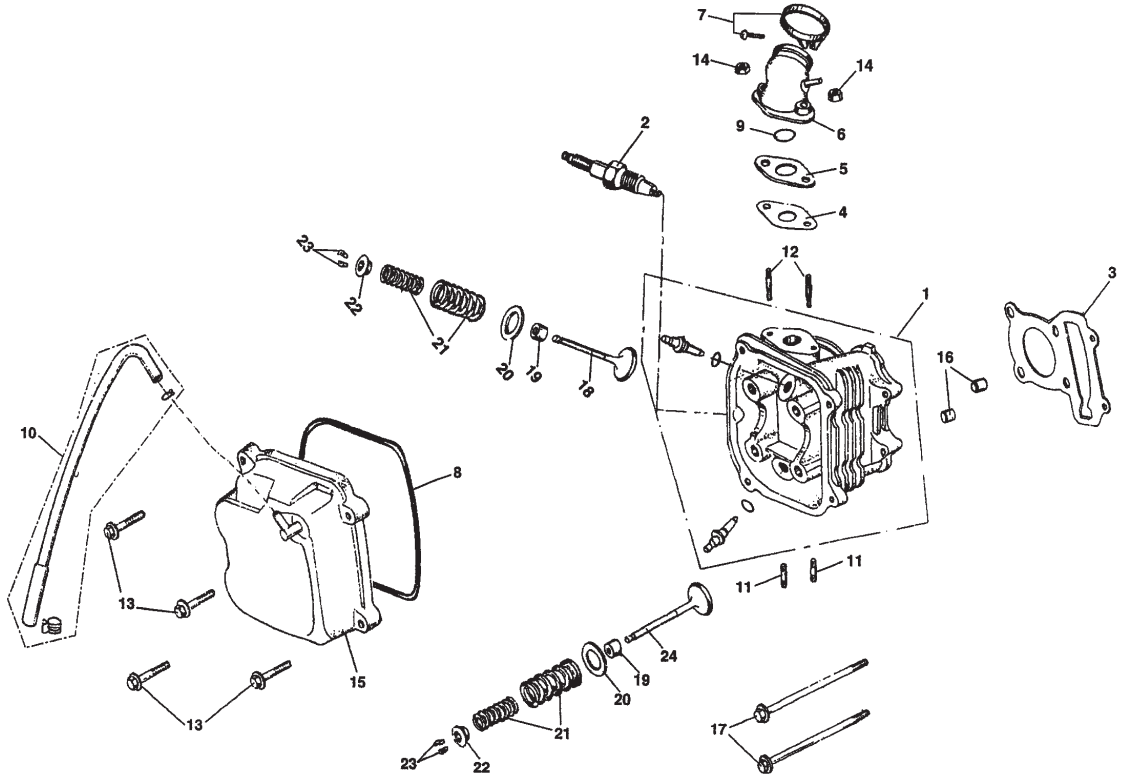


ATK-150



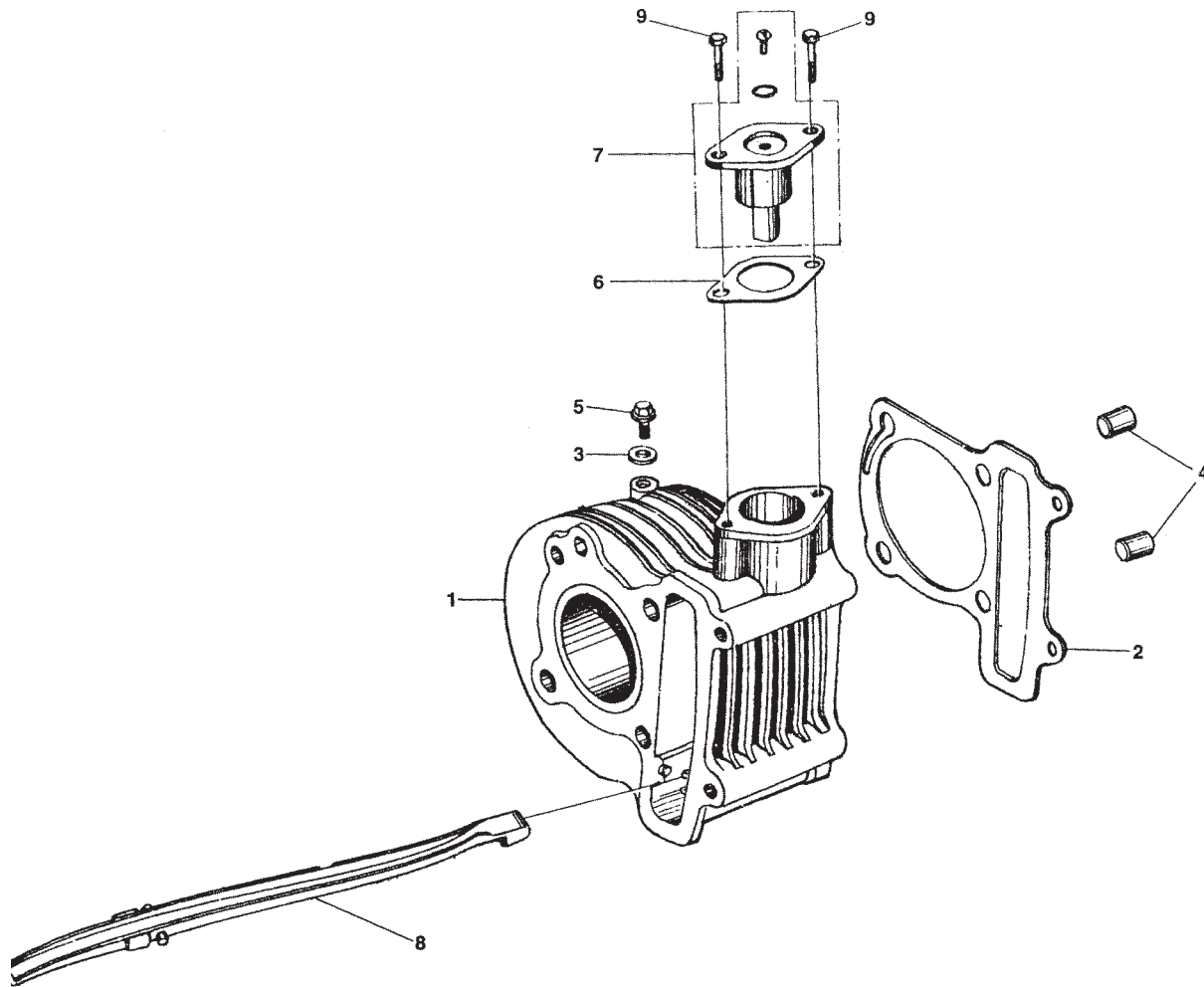
Spare Parts Book

Figure One - Cylinder Head



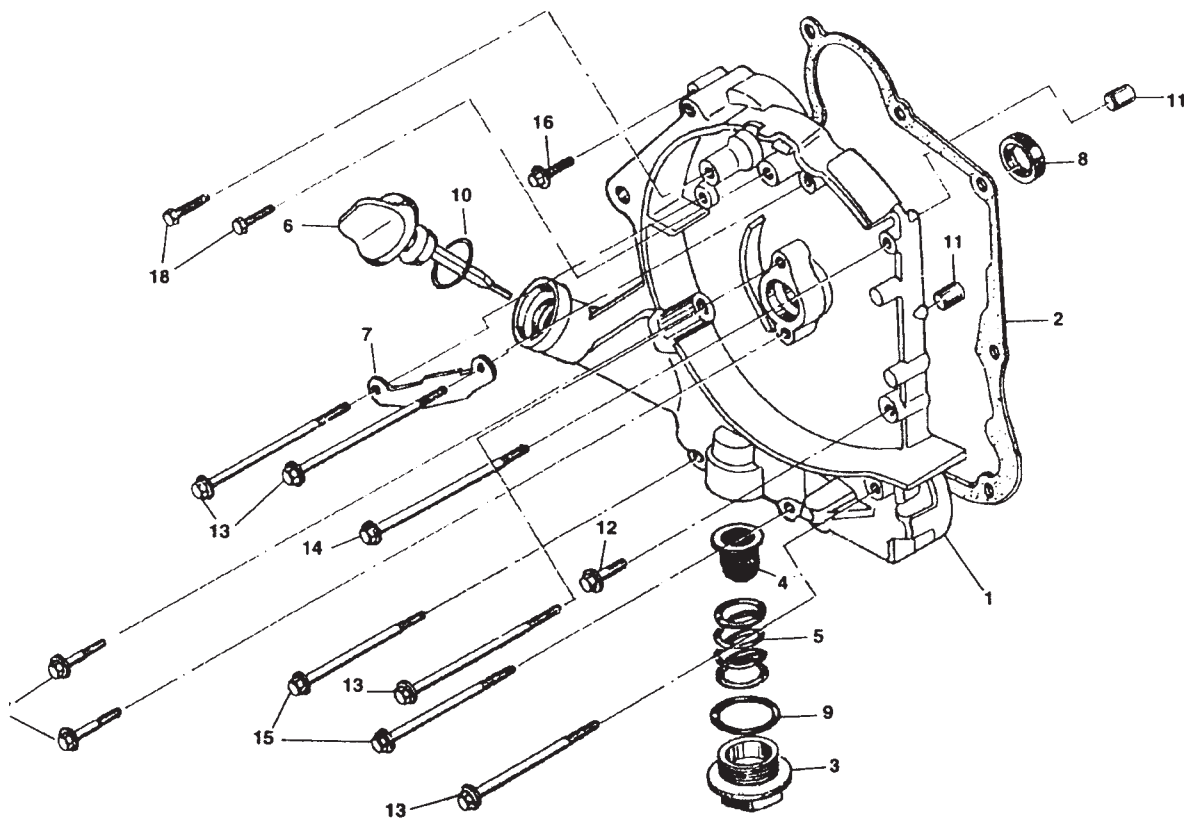
| Fig. | Item | Part Number | Description |
|------|------|--------------|-----------------------------|
| 1 | 1 | 11121-EAB-00 | CYLINDER HEAD SUBASS'Y |
| 1 | 2 | 62210-EAB-00 | SPARK PLUG(A7RTC) |
| 1 | 3 | 11181-EAB-00 | GASKET,cyl' head |
| 1 | 4 | 13621-EAB-00 | GASKET,carburetor insulator |
| 1 | 5 | 13620-EAB-00 | INSULATOR,carburetor |
| 1 | 6 | 43114-EAB-00 | INTAKE PIPE |
| 1 | 7 | 70015-MSC-00 | CLAMP,intake |
| 1 | 8 | 11191-EAB-00 | GASKET,head cover |
| 1 | 9 | 70016-MSC-00 | O-RING |
| 1 | 10 | 15171-EAB-00 | TUBE,breather |
| 1 | 11 | 90115-BLT-00 | STUD BOLT M6*18 |
| 1 | 12 | 90116-BLT-00 | STUD BOLT M6*50 |
| 1 | 13 | 90117-BLT-00 | FLANGE BOLT M6*25 |
| 1 | 14 | 90118-NUT-00 | FLANGE NUT M6 |
| 1 | 15 | 11141-EAB-00 | COVER,cyl' head |
| 1 | 16 | 90119-MSC-00 | PIN 10×16 |
| 1 | 17 | 90120-BLT-00 | FLANGE BOLT M6*100 |
| 1 | 18 | 14711-EAB-00 | VALVE,IN |
| 1 | 19 | 14731-EAB-00 | SEAL VALVE STEM |
| 1 | 20 | 25684-EAB-00 | SEAT,valve spring outer |
| 1 | 21 | 14751-EAB-00 | SPRING,valve outer/inner |
| 1 | 22 | 14771-EAB-00 | RETAINER,valve spring |
| 1 | 23 | 14781-EAB-00 | COTTER,valve |
| 1 | 24 | 14721-EAB-00 | VALVE,EX |
| | | | |

Figure Two - Cylinder



| Fig. | Item | Part Number | Description |
|------|------|--------------|-------------------------|
| 2 | 1 | 11111-EAB-00 | CYLINDER COMP |
| 2 | 2 | 11151-EAB-00 | GASKET,cylinder |
| 2 | 3 | 90121-WSH-00 | WASHER,sealing |
| 2 | 4 | 90122-MSC-00 | PIN,dowel 10×16 |
| 2 | 5 | 90123-BLT-00 | FLANGE BOLT 6×12 |
| 2 | 6 | 70017-EAB-00 | GASKET,tensioner lifter |
| 2 | 7 | 70018-EAB-00 | LIFTER,tensioner |
| 2 | 8 | 14560-EAB-00 | GUIDE COMP,cam chain |
| 2 | 9 | 90124-BLT-00 | FLANGE BOLT 6×20 |

Figure Three - Crankcase Cover



| Fig. | Item | Part Number | Description |
|------|------|--------------|---------------------------|
| 3 | 01 | 15411-EAB-00 | COVER,crank case RH |
| 3 | 02 | 15211-EAB-00 | GASET,crank case |
| 3 | 03 | 70019-EAB-00 | CAP,tappet adjusting hole |
| 3 | 04 | 13301-EAB-00 | SCREEN OIL FILTING |
| 3 | 05 | 15538-EAB-00 | SPRING,oil filting screen |
| 3 | 06 | 15563-EAB-00 | GAUGE,oil |
| 3 | 07 | 90125-BLT-00 | CLAMPER,ac generator cord |
| 3 | 08 | 70019-OIL-00 | OIL SEAL 19.8×30×5 |
| 3 | 09 | 70020-MSC-00 | O-RING 30.8×3 |
| 3 | 10 | 70021-MSC-00 | O-RING 18×3 |
| 3 | 11 | 90126-PIN-00 | PIN DOWEL 8×14 |
| 3 | 12 | 90127-BLT-00 | FLANGE BOLT 6×32 |
| 3 | 13 | 90128-BLT-00 | FLANGE BOLT 6×95 |
| 3 | 14 | 90129-BLT-00 | FLANGE BOLT 6×100 |
| 3 | 15 | 90130-BLT-00 | FLANGE BOLT 6×110 |
| 3 | 16 | 90131-BLT-00 | FLANGE BOLT 6×40 |
| 3 | 17 | 90132-BLT-00 | FLANGE BOLT 6×20 |
| 3 | 18 | 90133-BLT-00 | FLANGE BOLT 5×12 |

Figure Four - Crankcase

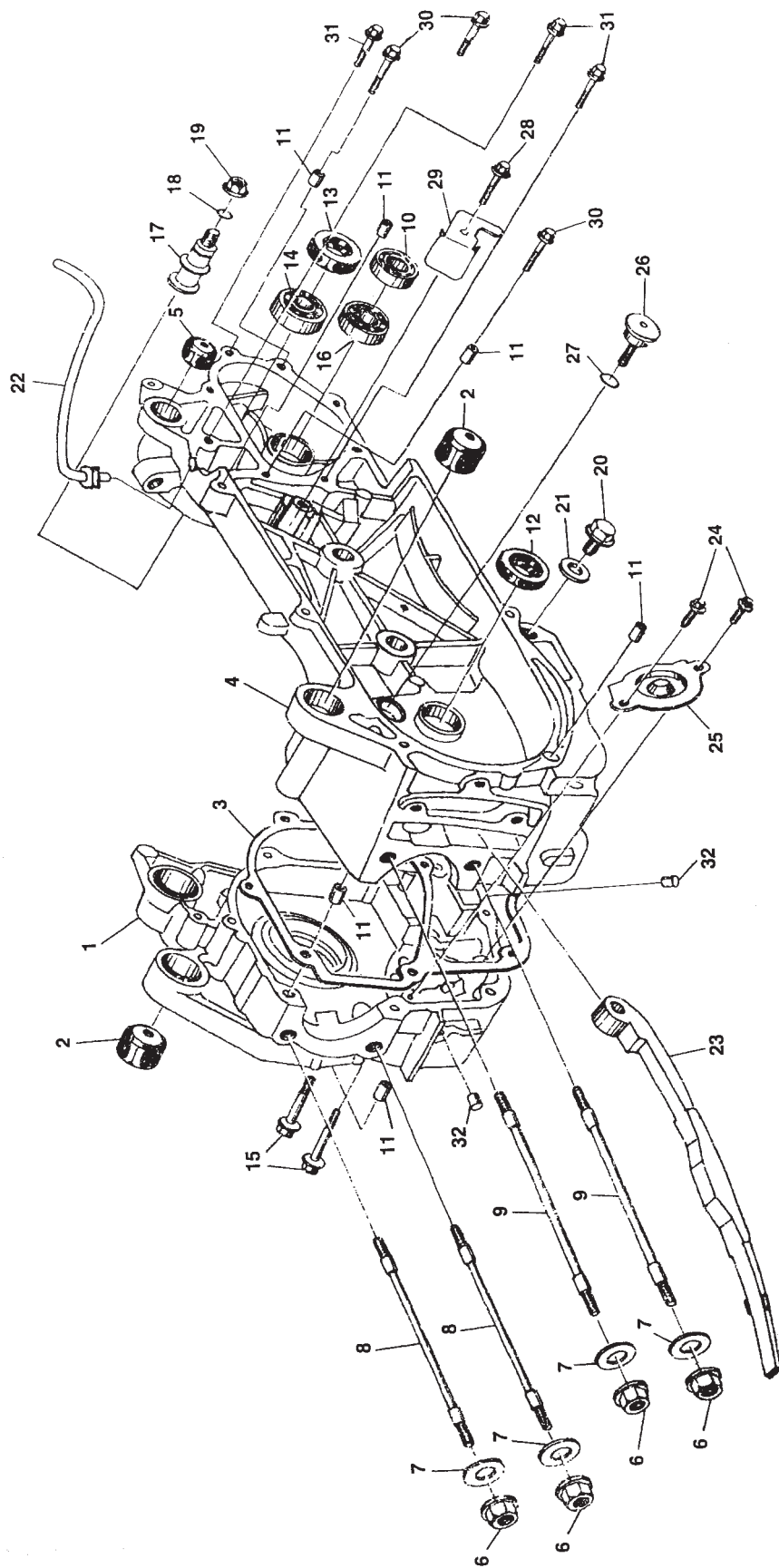
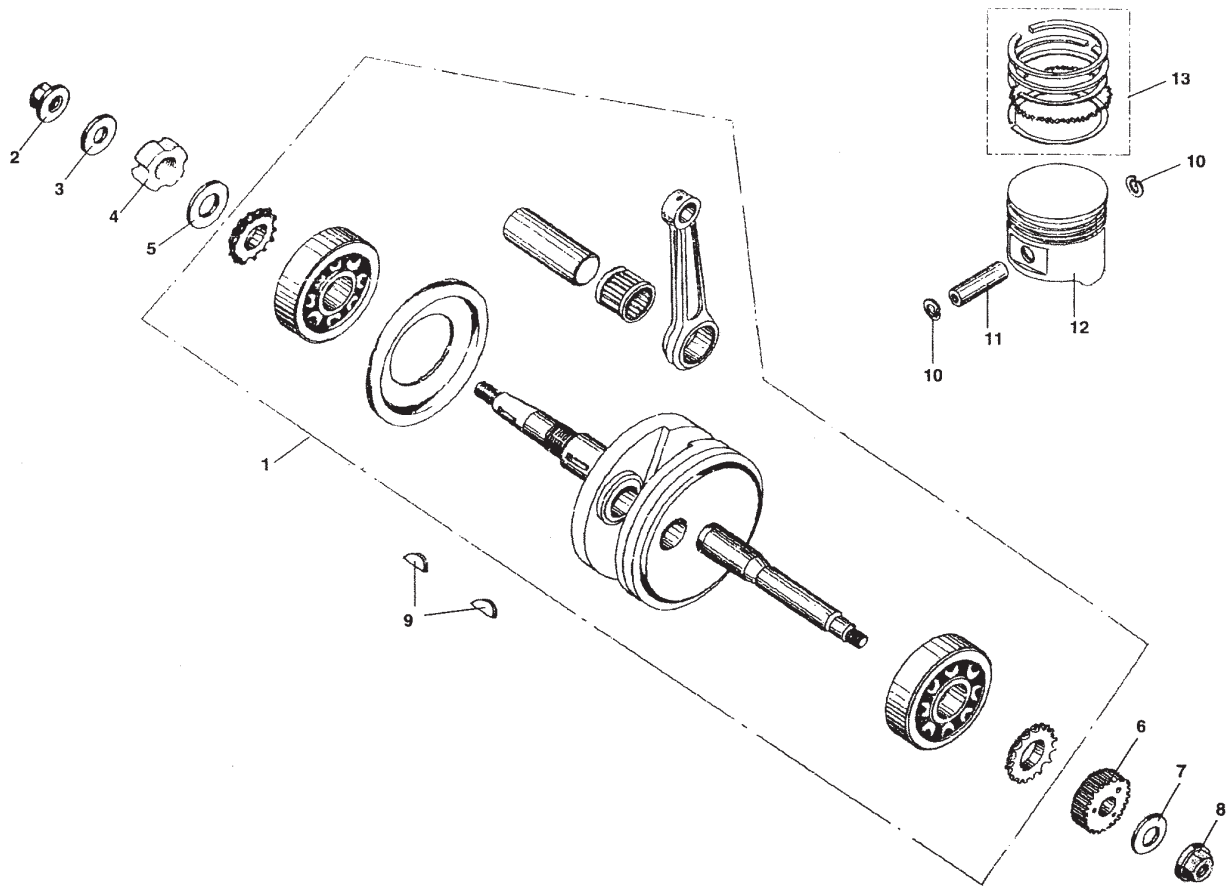


Figure Four - Crankcase

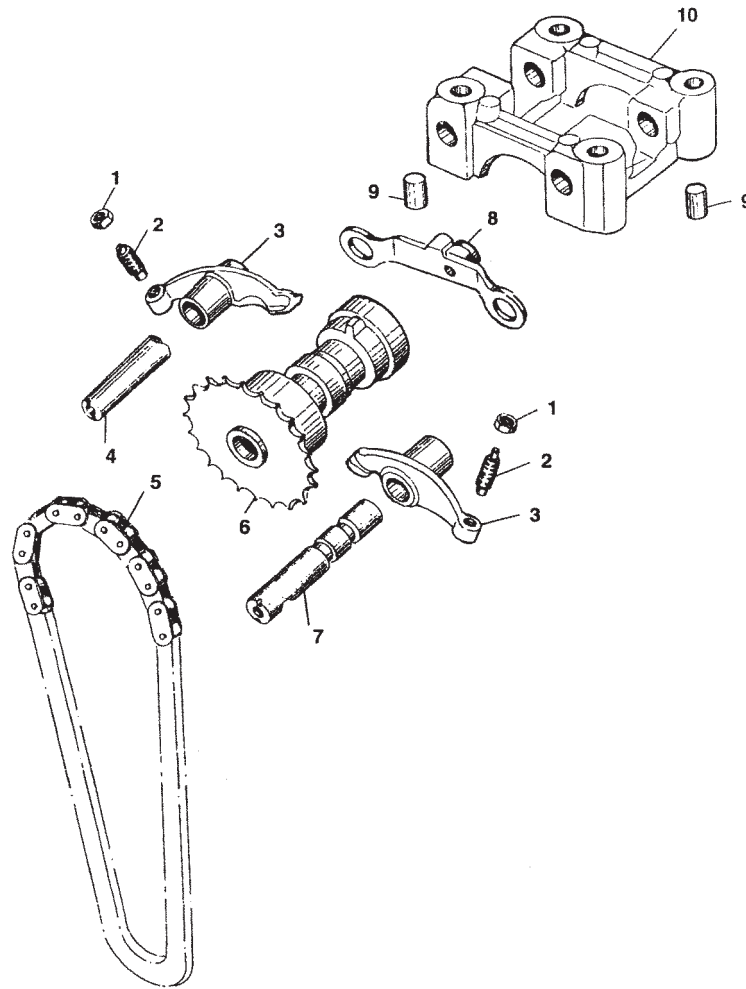
| Fig. | Item | Part Number | Description |
|------|------|--------------|---------------------------|
| 4 | 01 | 15211-EAB-00 | CRANK CASE ASS'Y RH |
| 4 | 02 | 70022-BSH-00 | RUBBER,e/g hanger bush |
| 4 | 03 | 15221-EAB-00 | GASKET,crank case |
| 4 | 04 | 15111-EAB-00 | CRANK CASE ASS'Y LH |
| 4 | 05 | 70023-BSH-00 | RUBBER,bush RR |
| 4 | 06 | 90134-NUT-00 | FLANGE NUT M8 |
| 4 | 07 | 90135-WSH-00 | WASHER,Φ8 |
| 4 | 08 | 90136-BLT-00 | STUD BOLT 8×187.5 |
| 4 | 09 | 90137-BLT-00 | STUD BOLT 8×195.6 |
| 4 | 10 | 70024-BER-00 | BEARING,radial ball |
| 4 | 11 | 90138-PIN-00 | PIN,dowel 8×14 |
| 4 | 12 | 70025-OIL-00 | OIL SEAL 19.8×30×5 |
| 4 | 13 | 70026-OIL-00 | OIL SEAL 27×42×7 |
| 4 | 14 | 70027-BER-00 | BEARING,radial ball |
| 4 | 15 | 90139-BLT-00 | FLANGE BOLT 6×50 |
| 4 | 16 | 70028-BER-00 | BEARING,radial ball |
| 4 | 17 | 90138-PIN-00 | PIN,brake shoe anchor |
| 4 | 18 | 70029-OIL-00 | OIL SEAL 7.5×15 |
| 4 | 19 | 90139-NUT-00 | FLANGE NUT M8 |
| 4 | 20 | 90140-BLT-00 | BOLT,drain plug |
| 4 | 21 | 90141-WSH-00 | WASHER,drain plug |
| 4 | 22 | 70030-EAB-00 | TUBE,breather |
| 4 | 23 | 70031-EAB-00 | TENSIONER,cam chain |
| 4 | 24 | 90142-BLT-00 | FLANGE BOLT 6×12 |
| 4 | 25 | 70032-EAB-00 | SEPARATOR,oil |
| 4 | 26 | 70033-EAB-00 | PIVOT,cam chain tensioner |
| 4 | 27 | 70034-OIL-00 | OIL SEAL 15.2×12 |
| 4 | 28 | 90143-BLT-00 | FLANGE BOLT 6×14 |
| 4 | 29 | 70035-EAB-00 | PLATE,kick return stopper |
| 4 | 30 | 90144-BLT-00 | FLANGE BOLT 6×35 |
| 4 | 31 | 90145-BLT-00 | FLANGE BOLT 6×25 |
| 4 | 32 | 70036-EAB-00 | PLUG,oil 6.5×5 |

Figure Five - Crankshaft



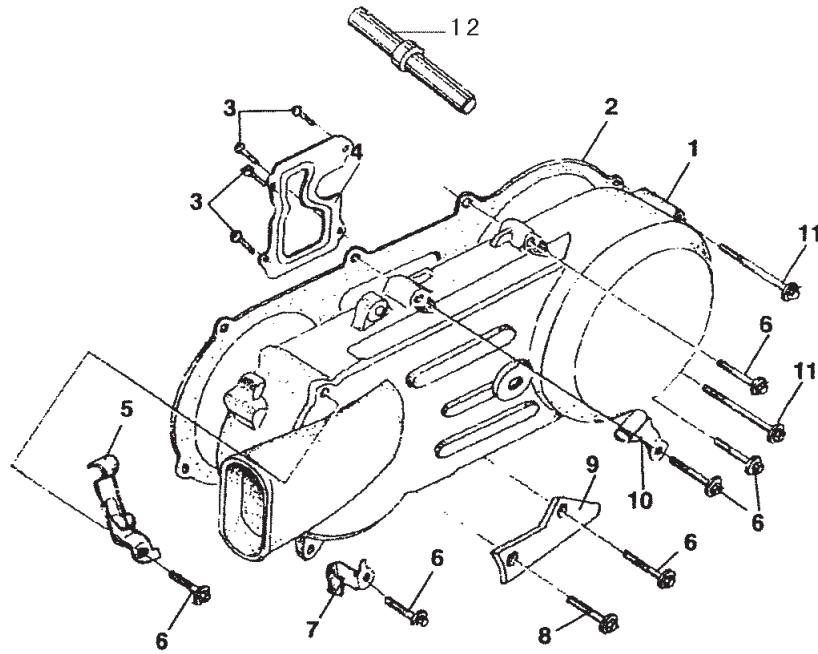
| Fig. | Item | Part Number | Description |
|------|------|--------------|---------------------------|
| 5 | 01 | 11400-EAB-00 | CRANK SHAFT & CONROD ASSY |
| 5 | 02 | 90146-NUT-00 | NUT M12×1.25 |
| 5 | 03 | 90147-WSH-00 | WASHER |
| 5 | 04 | 90148-NUT-00 | NUT LOCK |
| 5 | 05 | 90149-WSH-00 | WASHER |
| 5 | 06 | 22630-EAB-00 | GEAR,kick drive |
| 5 | 07 | 90150-WSH-00 | WASHER Φ12 |
| 5 | 08 | 90151-NUT-00 | NUT M12 |
| 5 | 09 | 90152-KEY-00 | KEY, woodruff |
| 5 | 10 | 70011-EAB-00 | CLIP,piston pin |
| 5 | 11 | 70012-EAB-00 | PIN,piston |
| 5 | 12 | 11631-EAB-00 | PISTON |
| 5 | 13 | 11636-EAB-00 | RING SET,piston |

Figure Six - Valvetrain



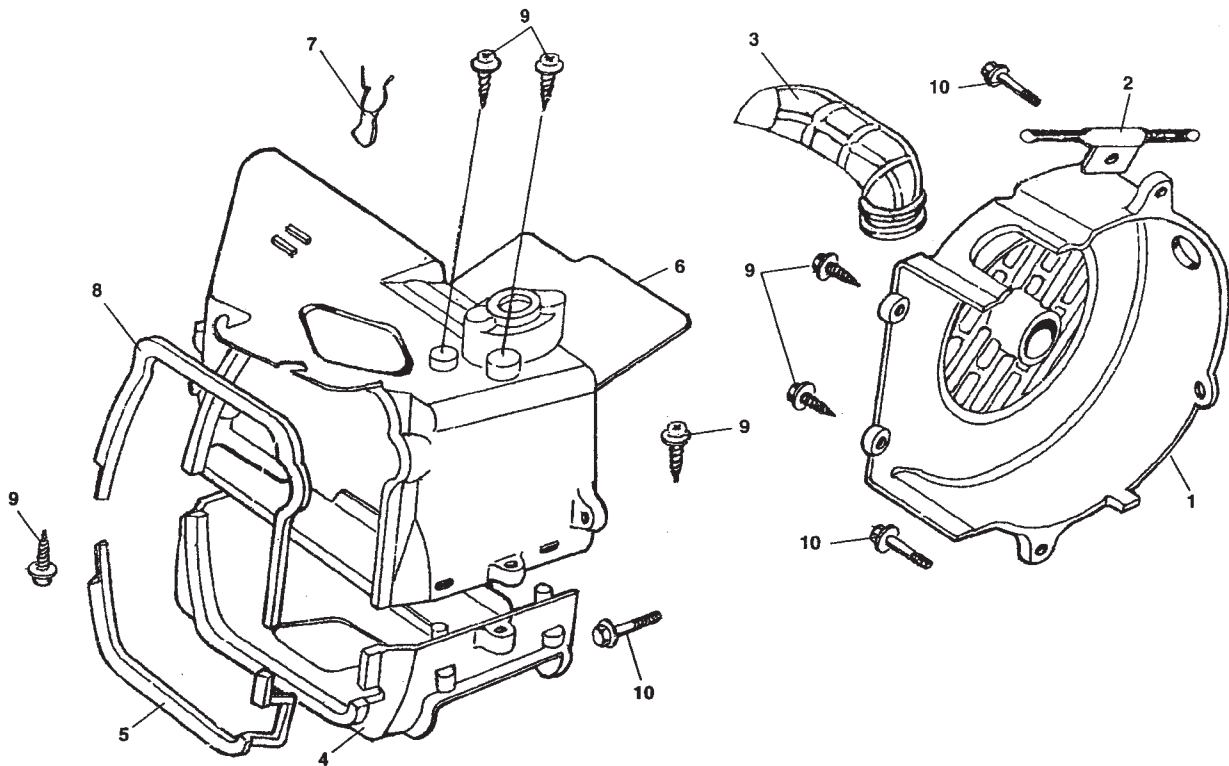
| Fig. | Items | Part Number | Description |
|------|-------|--------------|------------------------|
| 6 | 01 | 14437-EAB-00 | NUT TAPPET ADJUSTING |
| 6 | 02 | 14436-EAB-00 | SCREW TAPPET ADJUSTING |
| 6 | 03 | 14111-EAB-00 | ARM VALVE ROCKER |
| 6 | 04 | 14121-EAB-00 | SHAFT EX ROCKER ARM |
| 6 | 05 | 14501-EAB-00 | CHAIN CAM SHAFT |
| 6 | 06 | 14136-EAB-00 | CAMSHAFT COMP |
| 6 | 07 | 70038-EAB-00 | SHAFT COMP, STOPPER |
| 6 | 08 | 70039-EAB-00 | PLATE COMP.STOPPER |
| 6 | 09 | 90153-PIN-00 | PIN DOWEL 10×16 |
| 6 | 10 | 14431-EAB-00 | HOLDER CAMSHAFT |

Figure Seven - Clutch Cover



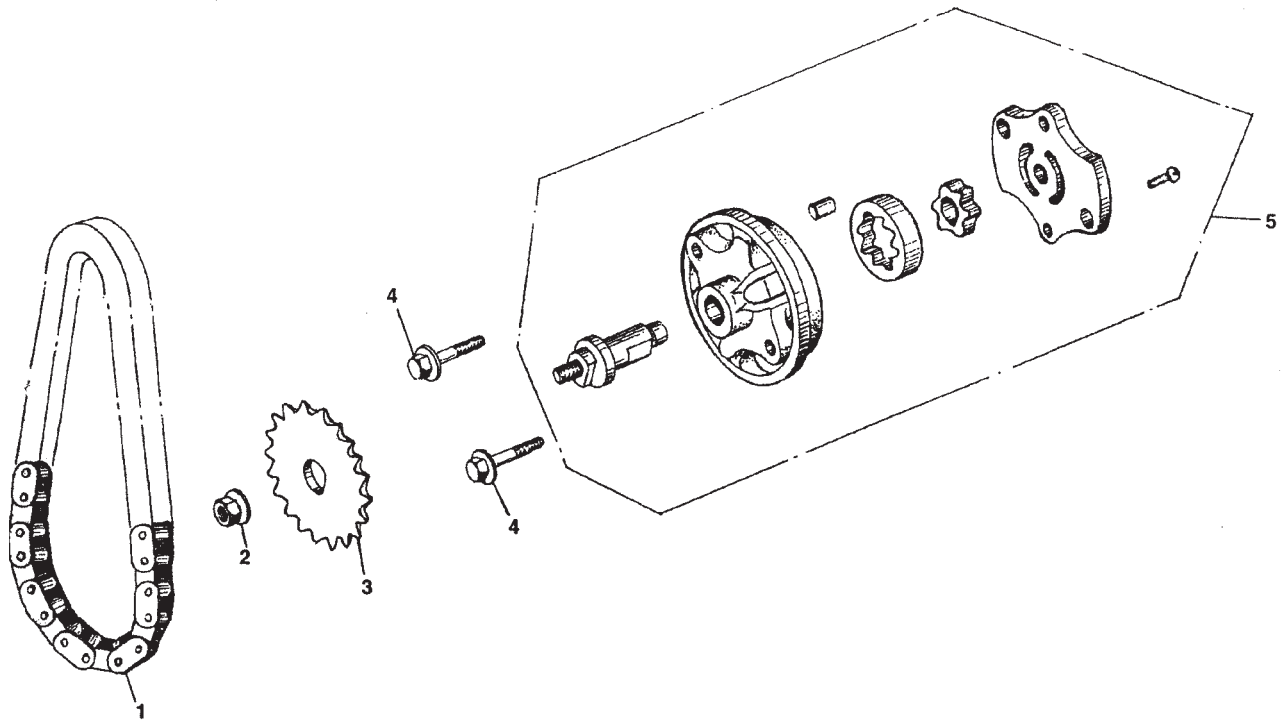
| Fig. | Item | Part Number | Description |
|------|------|--------------|-----------------------------|
| 7 | 01 | 15411-EAB-00 | COVER LH |
| 7 | 02 | 15481-EAB-00 | GASKET,cover LH |
| 7 | 03 | 90154-SCW-00 | SCREW,tappet |
| 7 | 04 | 70040-EAB-00 | PLATE,cover LH |
| 7 | 05 | 70041-MSC-00 | CLAMPER,throttle cable |
| 7 | 06 | 90155-BLT-00 | FLANGE BOLT 6×40 |
| 7 | 07 | 70042-MSC-00 | CLAMPER,breather drain tube |
| 7 | 08 | 90156-BLT-00 | FLANGE BOLT 6×12 |
| 7 | 09 | 70043-EAB-00 | STOP,plate |
| 7 | 10 | 70044-MSC-00 | CLAMPER,brake cable |
| 7 | 11 | 90157-BLT-00 | BOLT FLANGE M6×65 |
| 7 | 12 | 70045-EAB-00 | SPINDLE |

Figure Eight - Cylinder Shroud



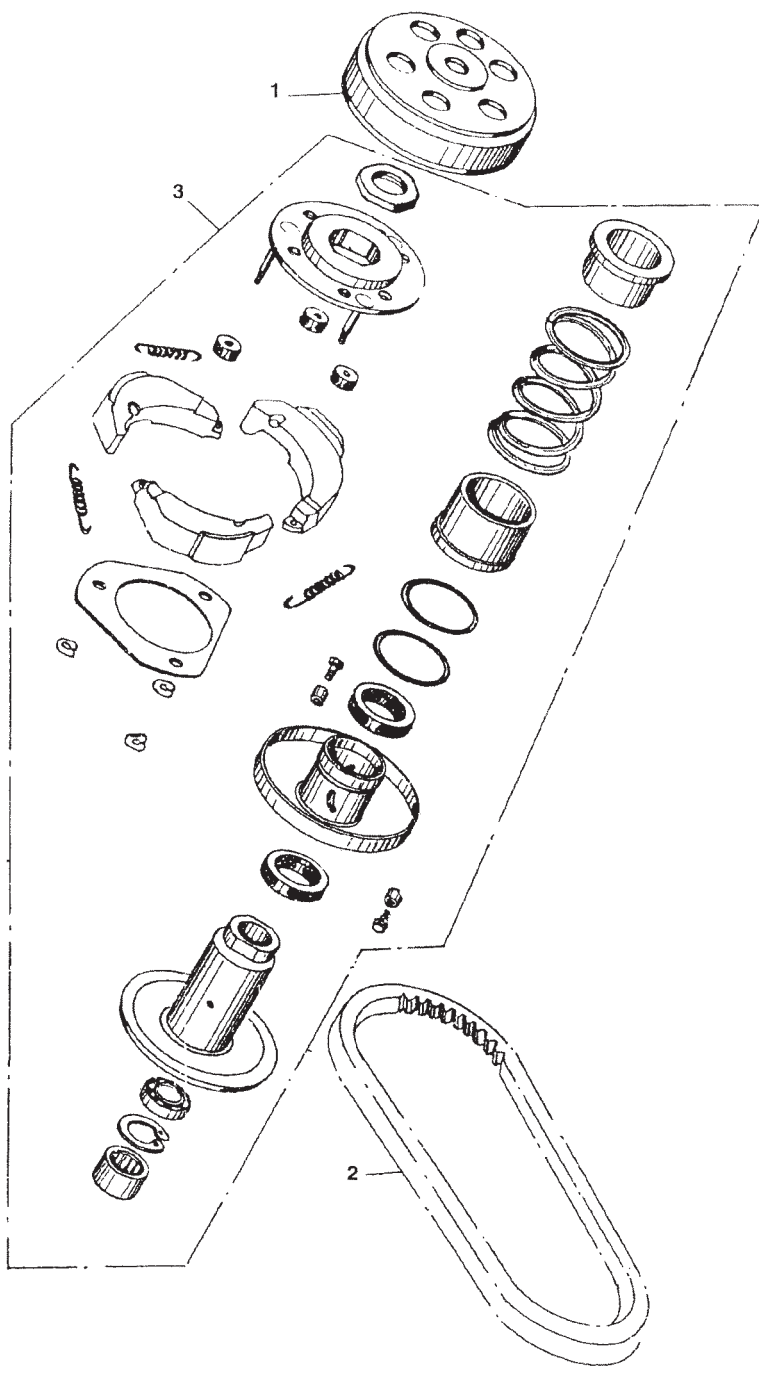
| Fig. | Item | Part Number | Description |
|------|------|--------------|-------------------------|
| 8 | 01 | 70046-EAB-00 | COVER COMP,fan |
| 8 | 02 | 70047-MSC-00 | CLAMPER,starter cable |
| 8 | 03 | 70048-EAB-00 | DUCT,carburetor cooling |
| 8 | 04 | 70049-EAB-00 | SHROUD.lower |
| 8 | 05 | 70050-EAB-00 | SEAL,shroud lower |
| 8 | 06 | 70051-EAB-00 | SHROUD COMP,upper |
| 8 | 07 | 70052-MSC-00 | CLIP,high tension cord |
| 8 | 08 | 70053-EAB-00 | SEAL,shroud upper |
| 8 | 09 | 90158-SCW-00 | SCREW |
| 8 | 10 | 90159-BLT-00 | BOLT 6×25 |
| | | | |

Figure Nine - Oil Pump



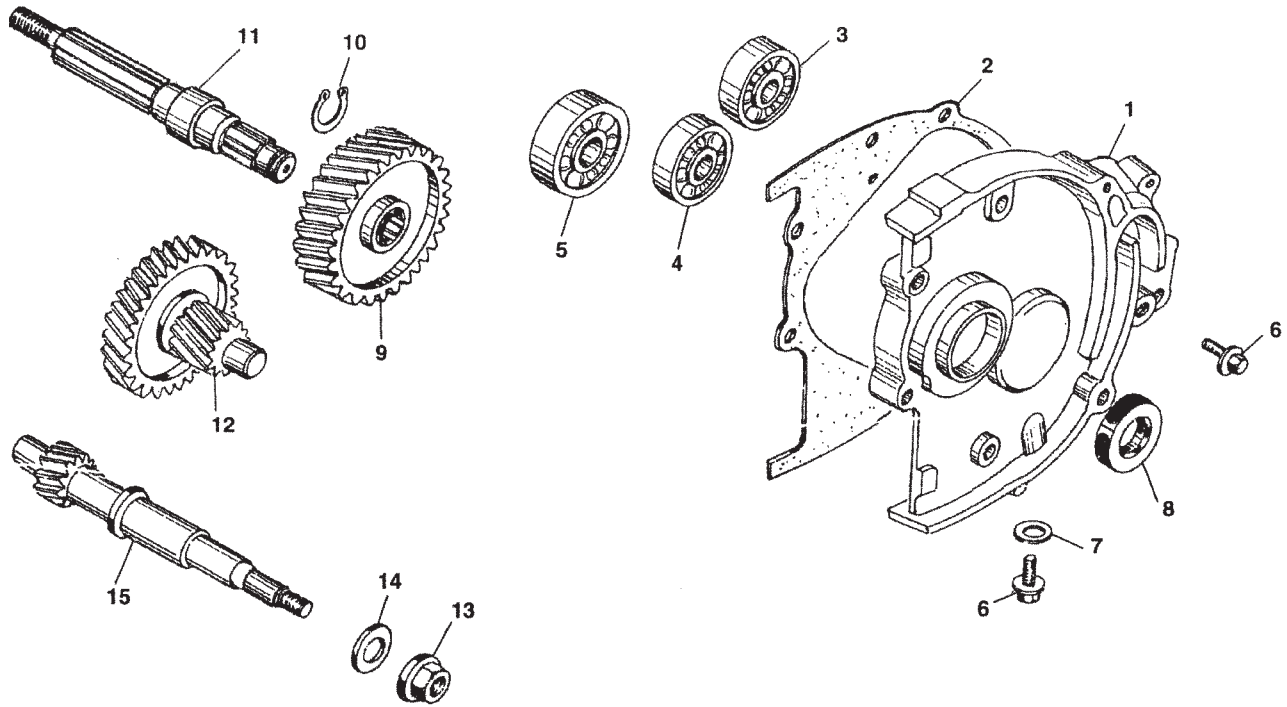
| Fig. | Item | Part Number | Description |
|------|------|--------------|--------------------------|
| 9 | 01 | 70054-EAB-00 | CHAIN OIL PUMP |
| 9 | 02 | 90160-NUT-00 | NUT FLANGE M6 |
| 9 | 03 | 70055-EAB-00 | SPROCKET OIL PUMP DRIVEN |
| 9 | 04 | 90161-BLT-00 | BOLT M6×25 |
| 9 | 05 | 13100-EAB-00 | OIL PUMP SUB ASSY. |

Figure Ten - Clutch / Belt



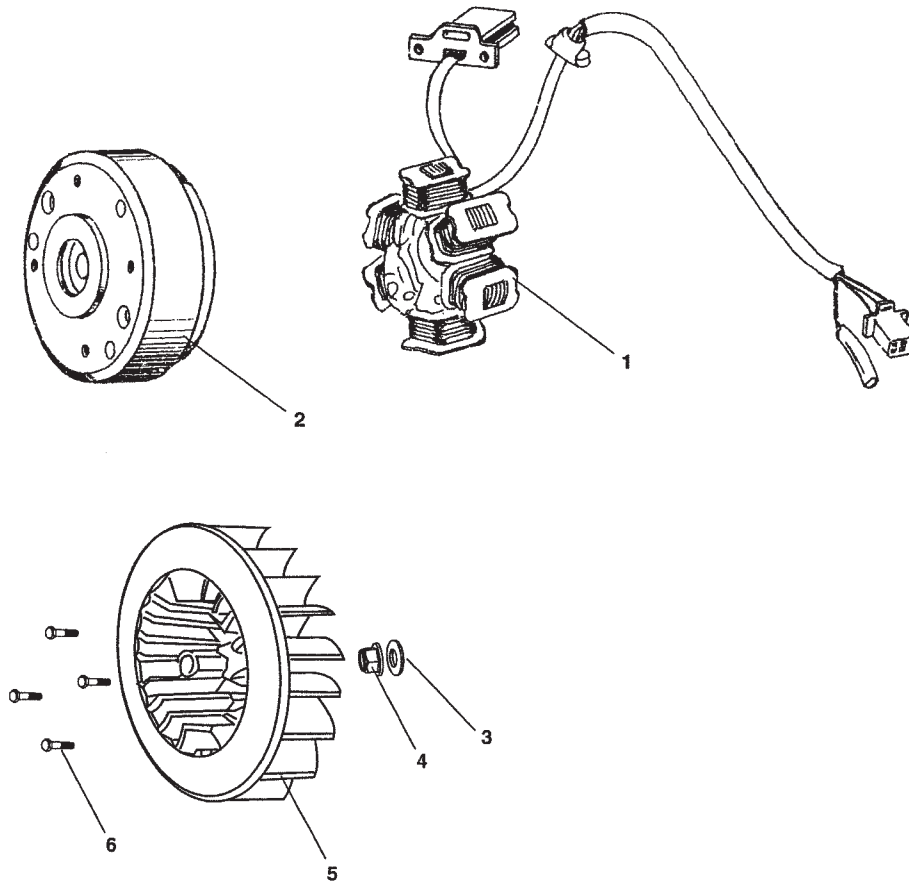
| Fig. | Item | Part Number | Description |
|------|------|--------------|--------------------|
| 10 | 01 | 25611-EAB-00 | OUTER CLUTCH ASSY. |
| 10 | 02 | 25741-EAB-00 | BELT DRIVE. |
| 10 | 03 | 25602-EAB-00 | PULLEY ASSY.DRIVEN |

Figure Eleven - Transmission



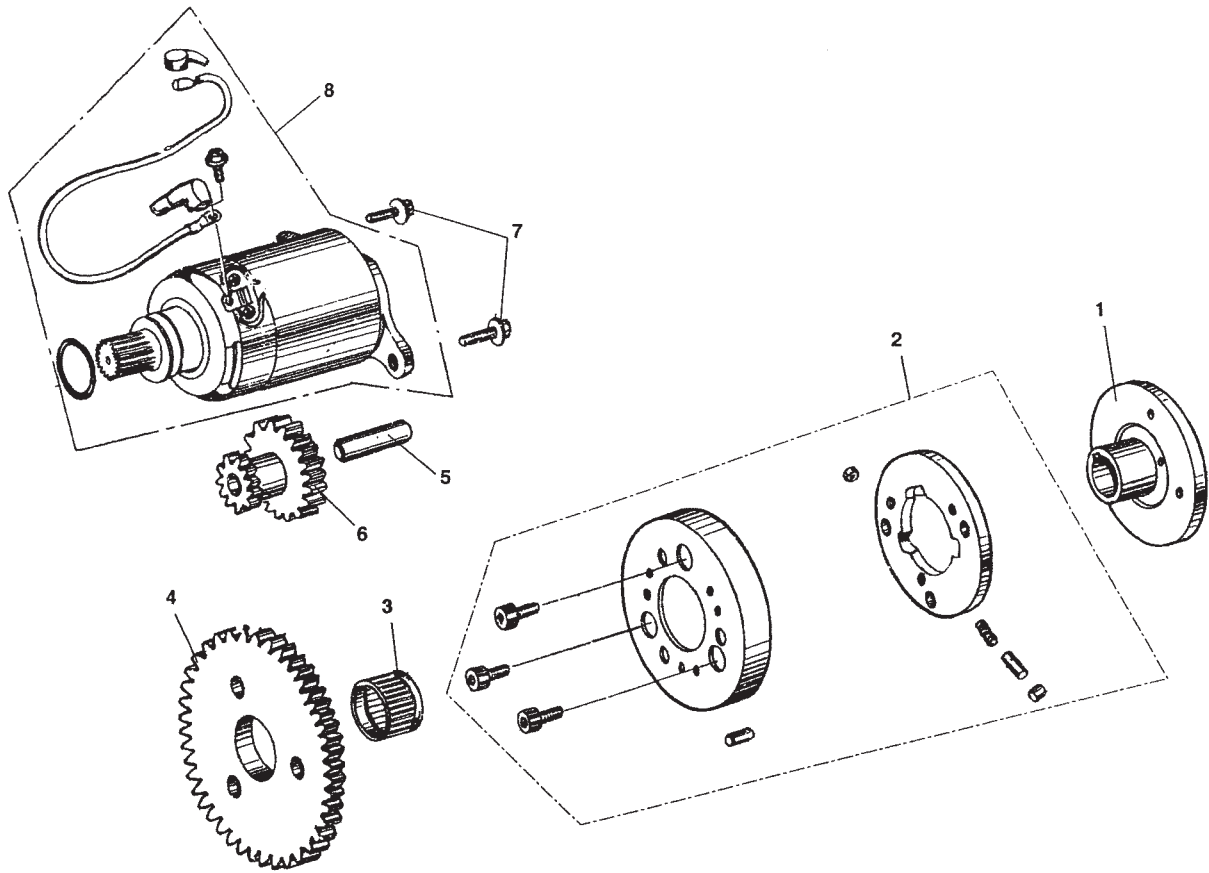
| Fig. | Item | Part Number | Description |
|------|------|--------------|---------------------------|
| 11 | 01 | 15311-EAB-00 | COVER TRANSMISSION |
| 11 | 02 | 15351-EAB-00 | GASKET TRANSMISSION COVER |
| 11 | 03 | 70056-BER-00 | BEARING RADIAL BALL E6203 |
| 11 | 04 | 70057-BER-00 | BEARING RADIAL BALL E6202 |
| 11 | 05 | 70058-BER-00 | BEARING RADIAL BALL E6204 |
| 11 | 06 | 90161-BLT-00 | BOLT SPECIAL M8×12 |
| 11 | 07 | 90162-WSH-00 | WASHER φ8 |
| 11 | 08 | 70059-OIL-00 | OIL SEAL 20×32×6 |
| 11 | 09 | 70060-EAB-00 | GEAR FINAL |
| 11 | 10 | 90163-CLP-00 | CIRCLIP EXTERNAL 20 |
| 11 | 11 | 26420-EAB-00 | SHAFT FINAL |
| 11 | 12 | 26411-EAB-00 | SHAFT COMP. COUNTER |
| 11 | 13 | 90164-NUT-00 | NUT COMPRESSOR FLANGE M12 |
| 11 | 14 | 90165-WSH-00 | WASHER φ12 |
| 11 | 15 | 26410-EAB-00 | SHAFT DRIVE |

Figure Twelve - Stator



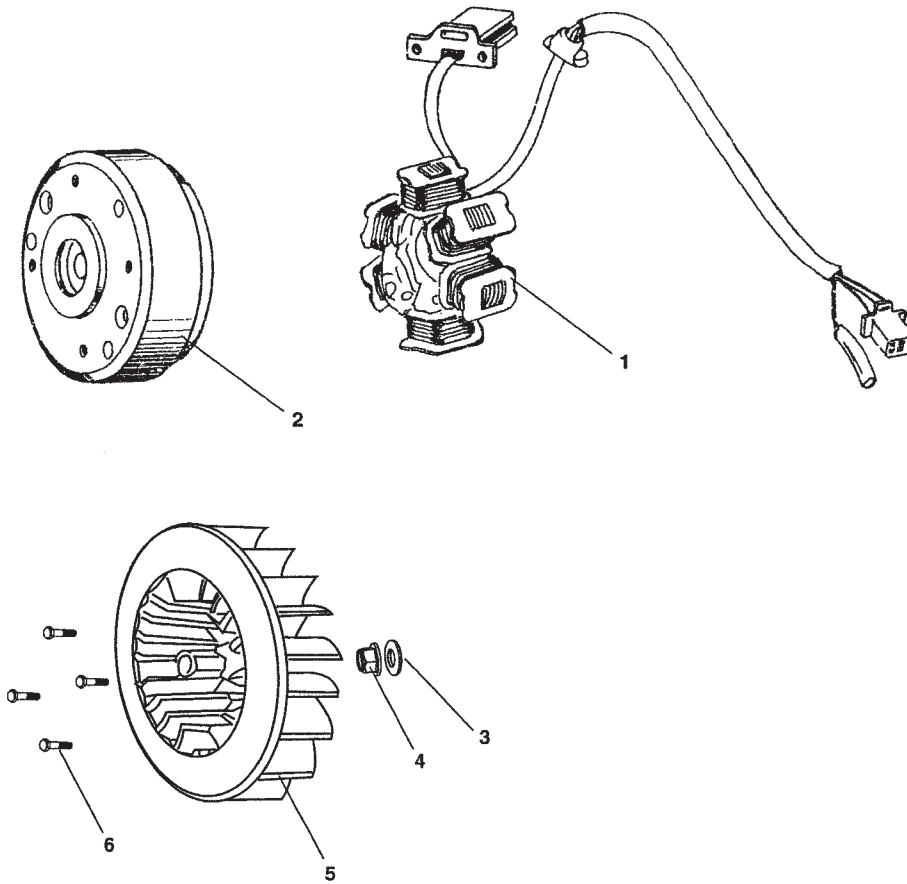
| Fig. | Items | Part Number | Description |
|------|-------|--------------|----------------------------|
| 12 | 01 | 35560-EAB-00 | STATOR COMP. |
| 12 | 02 | 35500-EAB-00 | FLYWHEEL COMP. |
| 12 | 03 | 90166-WSH-00 | WASHER PLAIN ϕ 12 |
| 12 | 04 | 90167-NUT-00 | NUT.FLANGE M12 |
| 12 | 05 | 12611-EAB-00 | FAN COMP COOLING |
| 12 | 06 | 90168-BLT-00 | BOLT FLANGE M6 \times 18 |
| | | | |

Figure Thirteen - Starter



| Fig. | Item | Part Number | Description |
|------|------|--------------|-----------------------------------|
| 13 | 01 | 23574-EAB-00 | FLANGE STARTING CLUTCH |
| 13 | 02 | 23570-EAB-00 | OUTER COMP. STARTING CLUTCH ASSY. |
| 13 | 03 | 70061-BER-00 | BEARING NEEDLE 28×32×17 |
| 13 | 04 | 26110-EAB-00 | GEAR COMP.STARTING CLUTCH |
| 13 | 05 | 23663-EAB-00 | SHAFT STARTER REDUCTION GEAR |
| 13 | 06 | 23660-EAB-00 | GEAR STARTER REDUCTION |
| 13 | 07 | 90169-BLT-00 | BOLT FLANGE M6×16 |
| 13 | 08 | 35800-EAB-00 | MOTOR ASSY. STARTER |
| | | | |

Figure Twelve - Stator



| Fig. | Item | Part Number | Description |
|------|------|--------------|----------------------------|
| 12 | 01 | 35560-EAB-00 | STATOR COMP. |
| 12 | 02 | 35500-EAB-00 | FLYWHEEL COMP. |
| 12 | 03 | 90166-WSH-00 | WASHER PLAIN ϕ 12 |
| 12 | 04 | 90167-NUT-00 | NUT.FLANGE M12 |
| 12 | 05 | 12611-EAB-00 | FAN COMP COOLING |
| 12 | 06 | 90168-BLT-00 | BOLT FLANGE M6 \times 18 |

Figure Fifteen - Carburetor

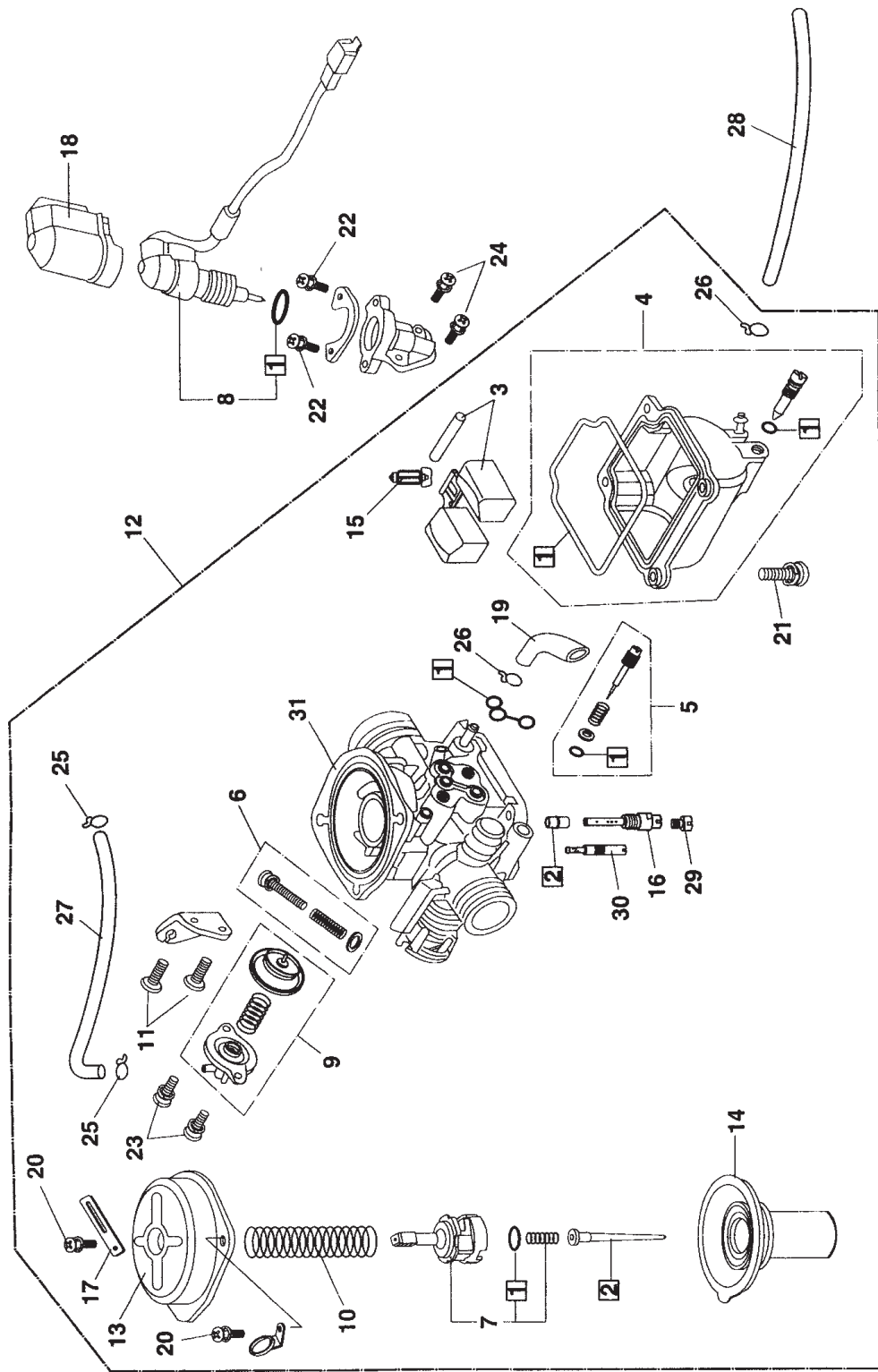


Figure Fifteen - Carburator

| Fig. | Item | Part Number | Description |
|------|------|--------------|-------------------------|
| 15 | 01 | 70062-EAB-00 | GASKET SET A |
| 15 | 02 | 70063-EAB-00 | NEEDLE SET.JET |
| 15 | 03 | 70064-EAB-00 | FLOAT SET |
| 15 | 04 | 70065-EAB-00 | CHAMBER SET.FLOAT |
| 15 | 05 | 90170-SCW-00 | SCREW SET A |
| 15 | 06 | 90171-SCW-00 | SCREW SET B |
| 15 | 07 | 70066-EAB-00 | PLATE SET.VALVE |
| 15 | 08 | 70067-EAB-00 | BYSTARTER ASSY,AUTO |
| 15 | 09 | 70068-EAB-00 | VALVE SET.AIR CUT |
| 15 | 10 | 70069-EAB-00 | SPRING.COMPRESSION COIL |
| 15 | 11 | 90172-SCW-00 | SCREW.PAN M5×12 |
| 15 | 12 | 13201-EAB-00 | CARBURETOR ASSY. |
| 15 | 13 | 70070-EAB-00 | TOP |
| 15 | 14 | 70071-EAB-00 | PISTON COMP.VACUUM |
| 15 | 15 | 70072-EAB-00 | VALVE COMP.FLOAT |
| 15 | 16 | 70073-EAB-00 | HOLDER.NEEDLE JET |
| 15 | 17 | 70074-EAB-00 | BINDER |
| 15 | 18 | 70075-EAB-00 | CAP. HOLDER |
| 15 | 19 | 70076-EAB-00 | TUBE,breather |
| 15 | 20 | 90173-SCW-00 | SCREW,PAN, M4×8 |
| 15 | 21 | 90174-SCW-00 | SCREW,PAN, M4×14 |
| 15 | 22 | 90175-SCW-00 | SCREW-WASHER, M4×8 |
| 15 | 23 | 90176-SCW-00 | SCREW-WHSHER, M4×10 |
| 15 | 24 | 90177-SCW-00 | SCREW-WASHER, M5×12 |
| 15 | 25 | 90178-CLP-00 | CLIP, TUBE(B7) |
| 15 | 26 | 90179-CLP-00 | CLIP, TUBE(B8) |
| 15 | 27 | 70077-EAB-00 | TUBE,3.5×210 |
| 15 | 28 | 70078-EAB-00 | TUBE |
| 15 | 29 | 13240-EAB-00 | JET, MAIN 112# |
| 15 | 30 | 13242-EAB-00 | JET, SLOW 35# |
| 15 | 31 | 70079-EAB-00 | CARBURETOR BODY |
| | | | |

Figure Sixteen - Chassis

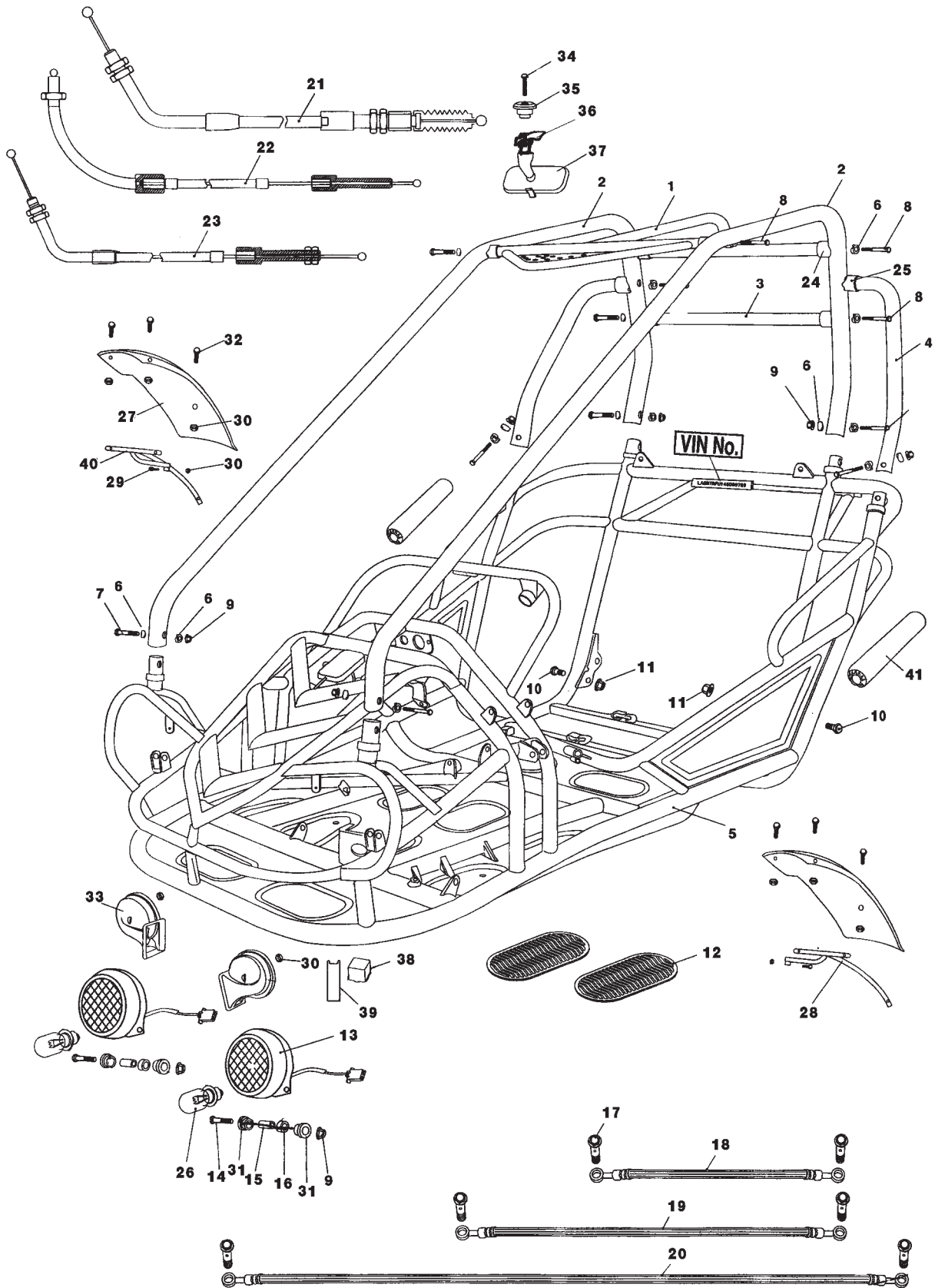


Figure Sixteen - Chassis

| Ref. | Item | Part Number | Description |
|------|------|--------------|--------------------------|
| 16 | 01 | 80038-EAB-00 | ROLL CAGE CROSS BAR.FR |
| 16 | 02 | 80039-EAB-00 | ROLL CAGE BAR.LH.RH |
| 16 | 03 | 80040-EAB-00 | ROLL CAGE CROSS BAR.FR |
| 16 | 04 | 80041-EAB-00 | ROLL CAGE BAR.L.R.SIDE |
| 16 | 05 | 41110-EAB-00 | FRAME COMP |
| 16 | 06 | 80042-AB7-00 | R-WASHER |
| 16 | 07 | 90180-BLT-00 | BOLT-WASHER M8×1.25×65 |
| 16 | 08 | 90181-BLT-00 | BOLT STRAP M8×1.25×55 |
| 16 | 09 | 90182-NUT-00 | NUT. FLANGE LOCK M8 |
| 16 | 10 | 90183-BLT-00 | BOLT-WASHER M12×1.25×65 |
| 16 | 11 | 90184-NUT-00 | NUT. FLANGE LOCK M12 |
| 16 | 12 | 80043-EAB-00 | FOOT PLATE. RUBBER |
| 16 | 13 | 55300-EAB-00 | HEADLIGHT UNIT |
| 16 | 14 | 90185-BLT-00 | BOLT-WASHER M8×1.25×50 |
| 16 | 15 | 90186-COL-00 | COLLAR. HEADLIGHT |
| 16 | 16 | 90187-BSH-00 | BUSH. HEADLIGHT |
| 16 | 17 | 90188-BLT-00 | BOLT. BANJO M10×24 |
| 16 | 18 | 80044-AB7-00 | HOSE ASSY. L .BRAKE 34" |
| 16 | 19 | 80045-AB7-00 | HOSE ASSY.R.BRAKE 43" |
| 16 | 20 | 80046-AB7-00 | HOSE ASSY.RR.BRAKE 75" |
| 16 | 21 | 61620-AB7-00 | CABLE COMP.THROTTLE |
| 16 | 22 | 80047-AB7-00 | CABLE COMP.REVERSE |
| 16 | 23 | 61330-AB7-00 | CABLE COMP.PAPKING BRAKE |
| 16 | 24 | 80048-AB7-00 | TUBE SEAT φ25 |
| 16 | 25 | 80049-AB7-00 | TUBE SEAT φ32 |
| 16 | 26 | 55314-AB7-00 | BULB.HEADLIGHT |
| 16 | 27 | 51552-AB7-00 | FENDER.FR |
| 16 | 28 | 51556-AB7-00 | BRACKET.FRONT FENDER.L |
| 16 | 29 | 90189-BLT-00 | BOLT m6×40 |
| 16 | 30 | 90190-NUT-00 | NYLON LOCK NUT M6 |
| 16 | 31 | 80050-BSH-00 | RUBBER MOUNT.HEADLIGHT |
| 16 | 32 | 90199-BLT-00 | BOLT-WASHER M6×16 |
| 16 | 33 | 80051-AB7-00 | HORN |
| 16 | 34 | 90200-BLT-00 | BOLT M5×25 |
| 16 | 35 | 80052-AB7-00 | MOUNT.REAR MIRROR |
| 16 | 36 | 80053-AB7-00 | SPRING.REAR MIRROR |
| 16 | 37 | 80054-AB7-00 | BACK MIRROR |
| 16 | 38 | 80056-AB7-00 | HORN RELAY |
| 16 | 39 | 80057-AB7-00 | BRACKET.RELAY |
| 16 | 40 | 51554-AB7-00 | BRACKET.FRONT FENDER.R |
| 16 | 41 | 80058-AB7-00 | COVER.ROBE-RAIL |
| | | | |

Figure Seventeen - Steering

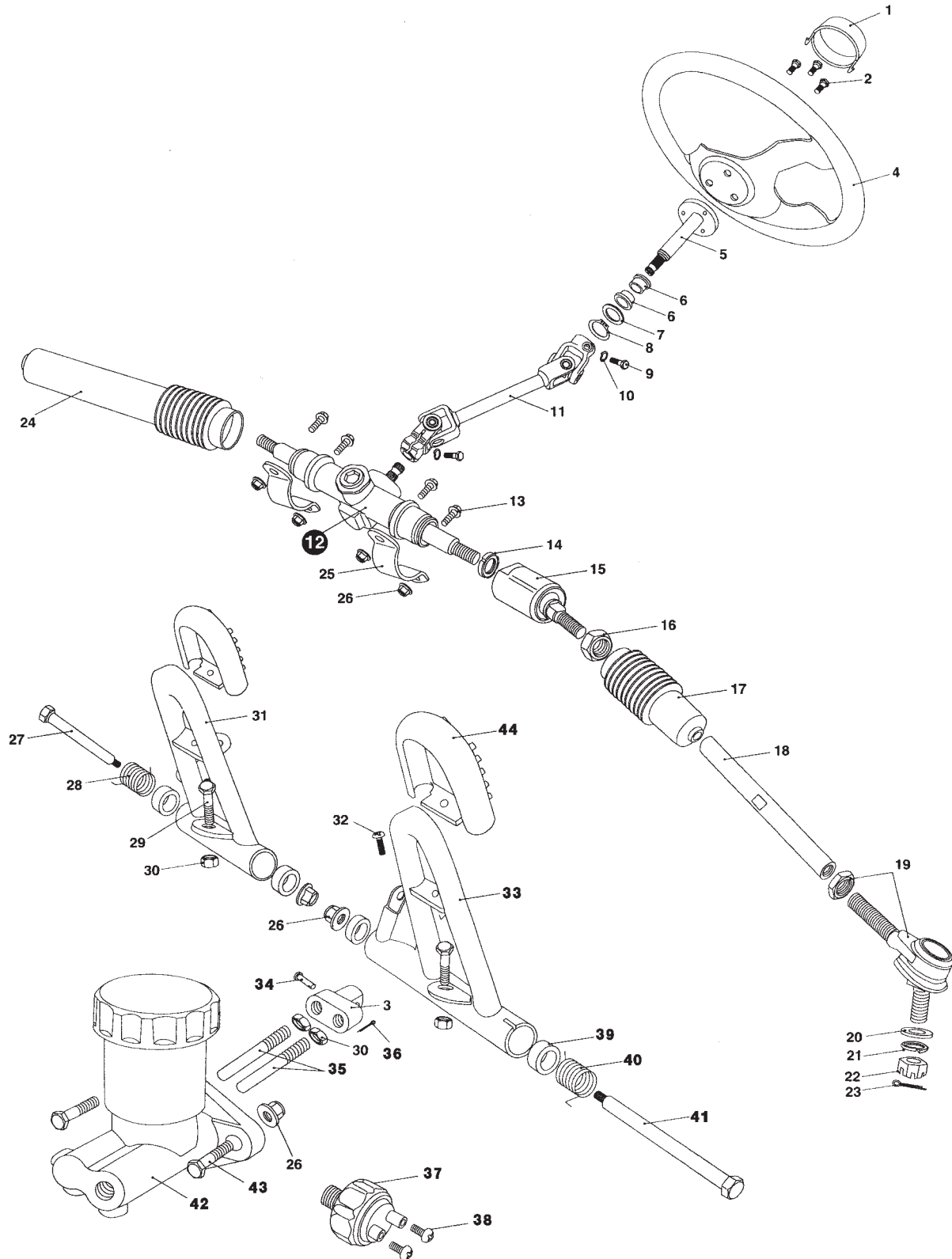


Figure Seventeen - Steering

| Fig. | Item | Part Number | Description |
|------|------|--------------|--------------------------------|
| 17 | 1 | 55213-AB7-00 | COVER.STEERING BOLT |
| 17 | 2 | 90289-BLT-00 | BOLT STRAO M6X12 |
| 17 | 3 | 80039-AB7-00 | BRACKET.SPINDLE |
| 17 | 4 | 46110-AB7-00 | STEERING WHEEL |
| 17 | 5 | 42101-AB7-00 | STEERING SHAFT |
| 17 | 6 | 90290-BSH-00 | BUSH.STEERING SHAFT |
| 17 | 7 | 90291-WSH-00 | WASHER.SPECIAL m20 |
| 17 | 8 | 90292-CLP-00 | CIRCLIP m20 |
| 17 | 9 | 90293-BLT-00 | BOLT M8X25 |
| 17 | 10 | 90294-WSH-00 | WASHER.LOCK m8 |
| 17 | 11 | 45860-AB7-00 | STEERING KNUCKLE |
| 17 | 12 | 80009-AB7-00 | STEERING GEAR |
| 17 | 13 | 90295-BLT-00 | BOLT-WASHER M8X1.25X25 |
| 17 | 14 | 90296-NUT-00 | ROUND NUT M16X1.5 |
| 17 | 15 | 80010-AB7-00 | STEERING BALL JOINT |
| 17 | 16 | 90297-NUT-00 | NUT M10 |
| 17 | 17 | 80040-AB7-00 | DUST COVER.L.BALL JOINT |
| 17 | 18 | 42141-AB7-00 | TIE ROD |
| 17 | 19 | 42142-AB7-00 | ROD END |
| 17 | 20 | 90298-WSH-00 | WASHER.FLAT m10 |
| 17 | 21 | 90299-WSH-00 | WASHER.LOCK m10 |
| 17 | 22 | 90300-NUT-00 | NUT.CASTLE M10 |
| 17 | 23 | 90301-PIN-00 | PIN.COTTER m2X15 |
| 17 | 24 | 90046-AB7-00 | DUST COVER.R.BALL JOINT |
| 17 | 25 | 80041-AB7-00 | BRACKET.STEERING GEAR |
| 17 | 26 | 90302-NUT-00 | NUT.FLANGE LOCK M8 |
| 17 | 27 | 90304-BLT-00 | BOLT.THROTTLE PEDAL |
| 17 | 28 | 80042-MSC-00 | SPRING.THROTTLE PEDAL RETURN.L |
| 17 | 29 | 90306-BLT-00 | BOLT -WASHER M8X1.25X60 |
| 17 | 30 | 90307-NUT-00 | NUT M8 |
| 17 | 31 | 62928-AB7-00 | THROTTLE PEDAL COMP. |
| 17 | 32 | 90308-SCW-00 | SCREW.PAN ST3.5X12 |
| 17 | 33 | 53281-AB7-00 | BRAKE PEDAL COMP |
| 17 | 34 | 90309-PIN-00 | PIN.6X24 |
| 17 | 35 | 90310-PIN-00 | PIN.SPINDLE |
| 17 | 36 | 90311-PIN-00 | PIN.COTTER 2X12 |
| 17 | 37 | 15126-AB7-00 | SWITCH ASS'Y.BRAKE LAMP |
| 17 | 38 | 90312-SCW-00 | SCREW.PAN M3X6 |
| 17 | 39 | 90313-BSH-00 | BUSH.PEDAL |
| 17 | 40 | 80043-MSC-00 | SPRING.BRAKE PEDAL RETURN.R |
| 17 | 41 | 90314-BLT-00 | BOLT.BRAKE PEDAL M8X1.25X222 |
| 17 | 42 | 45877-AB7-00 | MASTER CYLINDER |
| 17 | 43 | 90315-BLT-00 | BOLT-WASHER M8X1.25X27 |
| 17 | 44 | 80018-AB7-00 | PEDAL PAD |

Figure Eighteen - Front Suspension

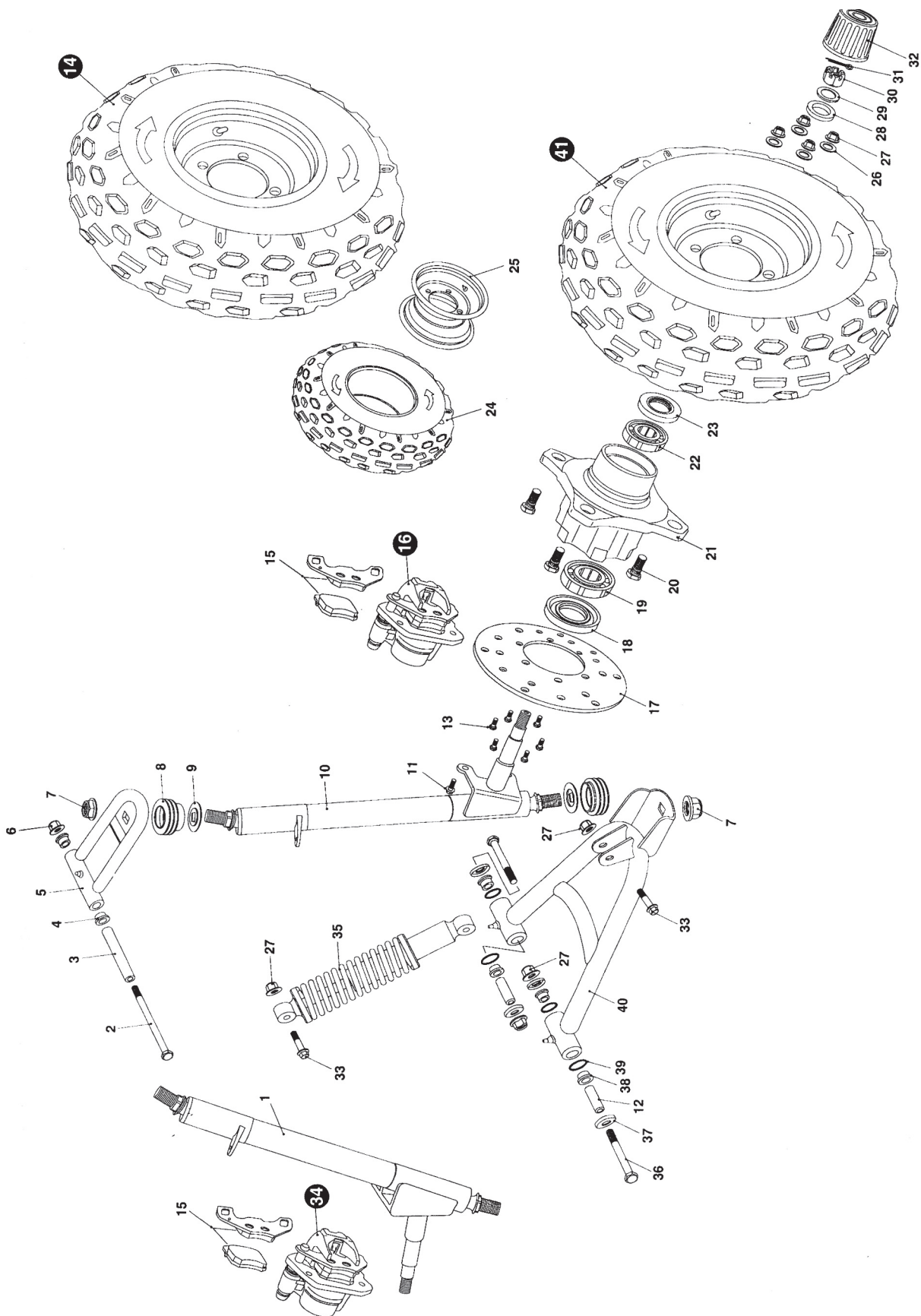


Figure Eighteen - Front Suspension

| Fig. | Item | Part Number | Description |
|------|------|--------------|-------------------------------|
| 18 | 01 | 45865-AB7-00 | SUPPORT.STRUT AND SPINDLE.R |
| 18 | 02 | 90201-BLT-00 | BOLT-WASHER M8×1.25×105 |
| 18 | 03 | 80059-COL-00 | COLLAR.UPPER SUSPENSION ARM |
| 18 | 04 | 80060-BSH-00 | BUSH.UPPER SUSPENSION ARM |
| 18 | 05 | 42166-AB7-00 | UPPER SUSPENSION ARM |
| 18 | 06 | 90202-NUT-00 | NUT.FLANGE LOCK M8 |
| 18 | 07 | 90203-NUT-00 | NUT.FLANGE LOCK M12 |
| 18 | 08 | 80061-AB7-00 | DUST SEAL.BALL HEAD |
| 18 | 09 | 80062-AB7-00 | SPACER.BALL HEAD |
| 18 | 10 | 45860-AB7-00 | SUPPORT.STRUT AND SPINDLE.L |
| 18 | 11 | 90204-BLT-00 | BOLT STRAP M8×14 |
| 18 | 12 | 80063-COL-00 | COLLAR.LOWER SUSPENSION ARM |
| 18 | 13 | 90205-BLT-00 | BOLT STRAP M6×12 |
| 18 | 14 | 42582-AB7-00 | FR.WHEEL ASSY.R 19×7-8 |
| 18 | 15 | 45815-AB7-00 | PAD SET.FR.BRAKE CALIPER |
| 18 | 16 | 45801-AB7-00 | FRONT BRAKE CALIPER.L |
| 18 | 17 | 45831-AB7-00 | DISC.FR.BRAKE |
| 18 | 18 | 80064-AB7-00 | DUST SEAL 47×25-7 |
| 18 | 19 | 80065-BER-00 | BEARING 6204 |
| 18 | 20 | 90206-BLT-00 | BOLT.TIRE M10×1.25×30 |
| 18 | 21 | 42581-AB7-00 | HUB.FR.WHEEL |
| 18 | 22 | 80066-BER-00 | BEARING 6203 |
| 18 | 23 | 80067-AB7-00 | DUST SEAL 42×27-7 |
| 18 | 24 | 42590-AB7-00 | TIRE.FR 19×7-8 |
| 18 | 25 | 80068-AB7-00 | RIM.FR |
| 18 | 26 | 90207-WSH-00 | WASHER.FLAT φ10 |
| 18 | 27 | 90208-NUT-00 | NUT.FLANGE LOCK M10 |
| 18 | 28 | 80069-AB7-00 | SPACER.FR.HUB |
| 18 | 29 | 90209-WSH-00 | WASHER.FLAT φ14 |
| 18 | 30 | 90210-NUT-00 | NUT.CASTLE M14 |
| 18 | 31 | 90211-PIN-00 | PIN.COTTER φ3×30 |
| 18 | 32 | 80070-AB7-00 | COVER.FR.HUB |
| 18 | 33 | 90212-BLT-00 | BOLT-WASHER M10×1.25×40 |
| 18 | 34 | 45801-AB7-01 | FRONT BRAKE CALIPER.R |
| 18 | 35 | 42126-AB7-00 | CUSHION ASSY.FR L=325 |
| 18 | 36 | 90213-BLT-00 | BOLT-WASHER M10×1.25×80 |
| 18 | 37 | 80071-AB7-00 | DUST CAP.LOWER SUSPENSION ARM |
| 18 | 38 | 80072-AB7-00 | BUSH.LOWER SUSPENSION ARM |
| 18 | 39 | 90214-MSC-00 | O-RING φ21.2×2.65 |
| 18 | 40 | 80073-AB7-00 | LOWER SUSPENSION ARM ASSY. |
| 18 | 41 | 80074-AB7-00 | FR.WHEEL ASSY.L 19×7-8 |

Figure Nineteen - Rear Rack

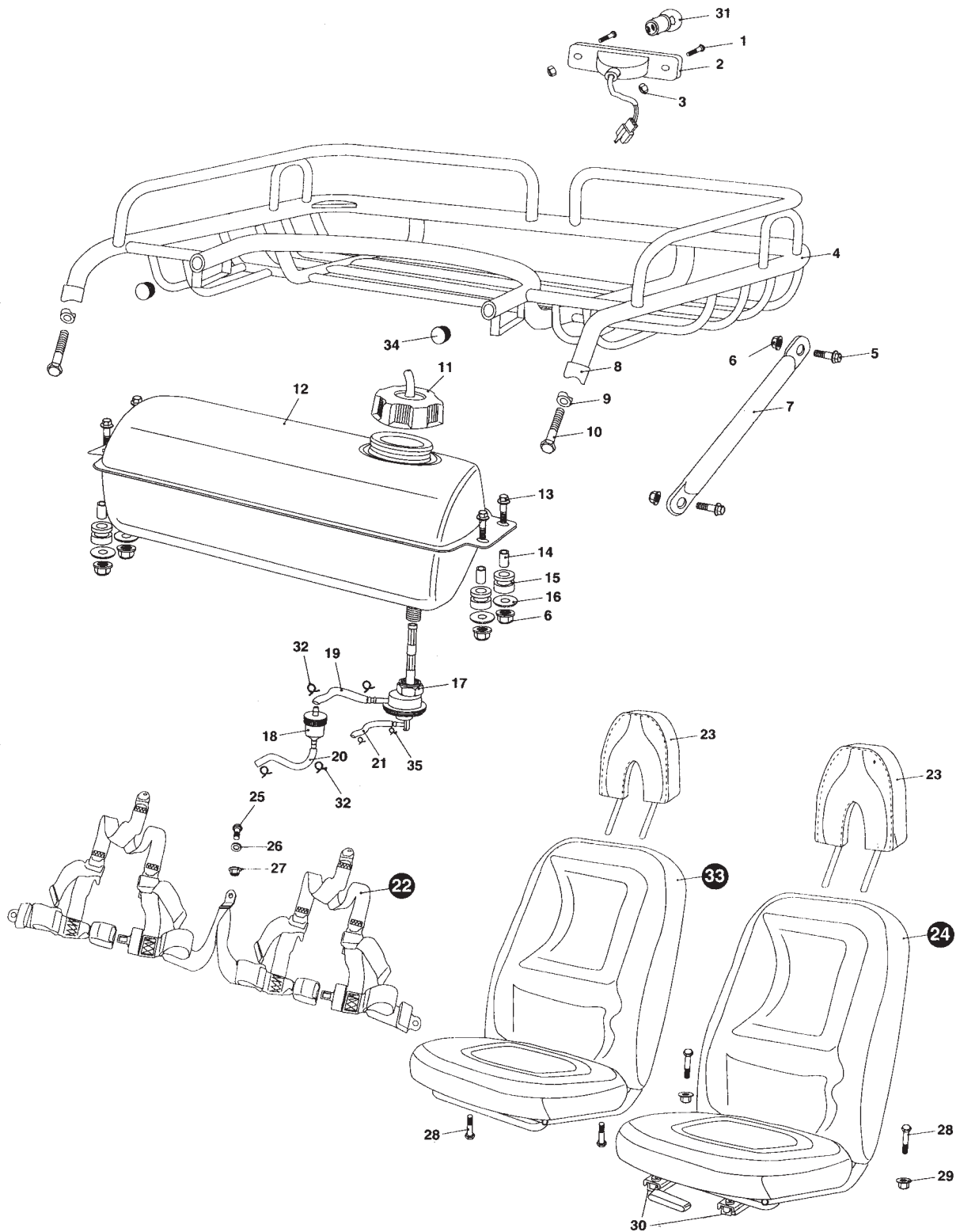


Figure Nineteen - Rear Rack

| Fig. | Item | Part Number | Description |
|------|------|--------------|---------------------------|
| 19 | 01 | 90215-SCW-00 | SCREW.PAN M5×20 |
| 19 | 02 | 55700-AB7-00 | TAIL LIGHT |
| 19 | 03 | 90216-NUT-00 | NYLON LOCK NUT M5 |
| 19 | 04 | 80075-AB7-00 | REAR CARGO RACK |
| 19 | 05 | 90217-BLT-00 | BOLT-WASHER M8×1.25×20 |
| 19 | 06 | 90218-NUT-00 | NUT.FLANGE LOCK M8 |
| 19 | 07 | 80076-AB7-00 | SUPPORTER.REAR CARGO RACK |
| 19 | 08 | 80077-AB7-00 | TUBE SEAT φ32 |
| 19 | 09 | 90219-WSH-00 | R-WASHER |
| 19 | 10 | 90220-BLT-00 | BOLT STRAP M8×1.25×55 |
| 19 | 11 | 43102-AB7-00 | CAP COMP.FUEL FILLER |
| 19 | 12 | 43110-AB7-00 | TANK COMP.FUEL |
| 19 | 13 | 90221-BLT-00 | BOLT-WASHER M8×1.25×25 |
| 19 | 14 | 80078-AB7-00 | COLLAR.TANK COMP. |
| 19 | 15 | 80079-BSH-00 | RUBBER MOUNT.HEADLIGHT |
| 19 | 16 | 90222-WSH-00 | WASHER FLAT φ8 |
| 19 | 17 | 43500-AB7-00 | COCK ASSY.FUEL AUTO |
| 19 | 18 | 80080-AB7-00 | FILTER |
| 19 | 19 | 80081-AB7-00 | TUBE COMP.FUEL #1 |
| 19 | 20 | 80082-AB7-00 | TUBE COMP.FUEL #2 |
| 19 | 21 | 80083-AB7-00 | TUBE COMP.VACUUM |
| 19 | 22 | 80084-AB7-00 | BELT.SAFETY |
| 19 | 23 | 80085-AB7-00 | HEAD-REST |
| 19 | 24 | 80086-AB7-00 | SEAT COMPL |
| 19 | 25 | 90223-BLT-00 | BOLT.SPECIAL M7/16"×28 |
| 19 | 26 | 90224-WSH-00 | WASHER.BELT φ12 |
| 19 | 27 | 90225-NUT-00 | NUT.BELT M7/16" |
| 19 | 28 | 90226-BLT-00 | BOLT STRAP M8×1.25×40 |
| 19 | 29 | 90227-NUT-00 | NUT.FLANGE LOCK M8 |
| 19 | 30 | 80087-AB7-00 | RAIL SET.SEAT |
| 19 | 31 | 80088-AB7-00 | BULB.TAIL LIGHT |
| 19 | 32 | 80089-AB7-00 | CLIP.FUEL TUBE |
| 19 | 33 | 80090-AB7-00 | SEAT COMP.R |
| 19 | 34 | 80091-AB7-00 | COVER.TUBE |
| 19 | 35 | 90228-CLP-00 | CLIP.CACUUM TUBE |
| | | | |

Figure Twenty - Swing Arm

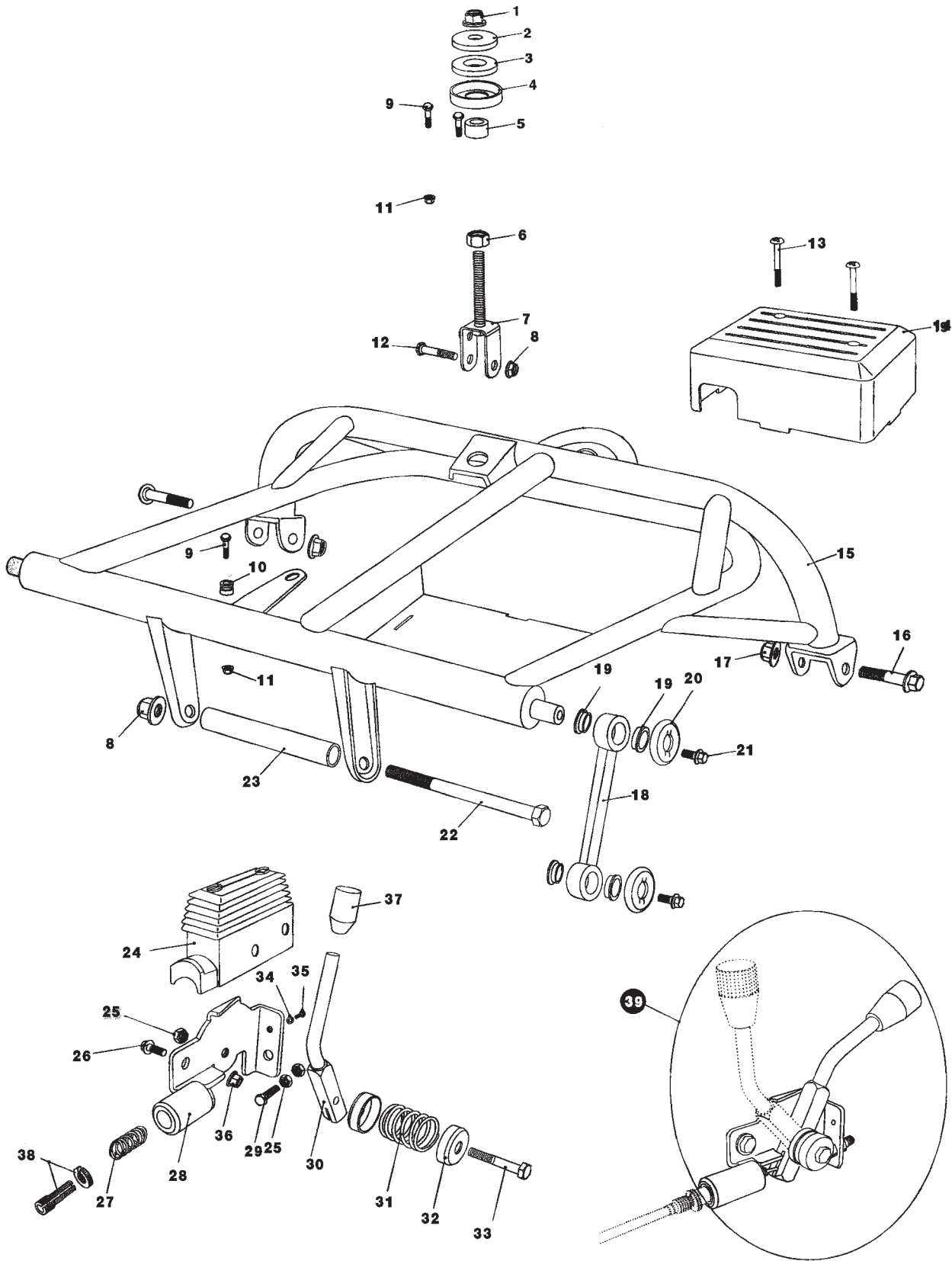


Figure Twenty - Swing Arm

| Fig. | Item | Part Number | Description |
|------|------|--------------|------------------------------------|
| 20 | 01 | 90229-NUT-00 | NUT.FLANGE LOCK M12 |
| 20 | 02 | 90230-WSH-00 | WASHER.ENGINE MOUNT LINK |
| 20 | 03 | 90231-BSH-00 | CUSHION.ENGINE MOUNT LINK |
| 20 | 04 | 80092-AB7-00 | SPACER.ENGINE MOUNT LINK |
| 20 | 05 | 90232-COL-00 | COLLAR.ENGINE MOUNT LINK |
| 20 | 06 | 90233-NUT-00 | NUT M12 |
| 20 | 07 | 80093-AB7-00 | ENGINE MOUNT LINK |
| 20 | 08 | 90234-NUT-00 | NUT.FLANGE LOCK M10 |
| 20 | 09 | 90235-BLT-00 | BOLT M6×35 |
| 20 | 10 | 80094-BSH-00 | RUBBER MOUNT |
| 20 | 11 | 90236-NUT-00 | NYLON LOCK NUT M6 |
| 20 | 12 | 90237-BLT-00 | BOLT-WASHER M10×1.25×45 |
| 20 | 13 | 90238-SCW-00 | SCREW.PAN M6×55 |
| 20 | 14 | 80095-AB7-00 | COVER.ELECTRIC ASS'Y. |
| 20 | 15 | 32100-AB7-00 | REAR SWING ARM ASS'Y.UPPER |
| 20 | 16 | 90239-BLT-00 | BOLT-WASHER M12×1.25×60 |
| 20 | 17 | 90240-NUT-00 | NUT.FLANGE LOCK M12 |
| 20 | 18 | 80096-AB7-00 | CON' ROD |
| 20 | 19 | 80097-BSH-00 | BUSH.CON'ROD |
| 20 | 20 | 80098-AB7-00 | SPACER.CON'ROD |
| 20 | 21 | 90241-BLT-00 | BOLT-WASHER M8×1.25×16 |
| 20 | 22 | 90242-BLT-00 | BOLT-WASHER M10×1.25×195 |
| 20 | 23 | 90243-COL-00 | COOLLAR ENGINE MOUNT |
| 20 | 24 | 80099-AB7-00 | COVER.REVERSE LEVER |
| 20 | 25 | 90244-NUT-00 | NYLON LOCK NUT M8 |
| 20 | 26 | 90245-BLT-00 | BOLT-WASHER M8×1.25×20 |
| 20 | 27 | 80100-AB7-00 | SPRING.CABLE |
| 20 | 28 | 80101-AB7-00 | BRACKET.LEVER |
| 20 | 29 | 90246-BLT-00 | BOLT M8×30 |
| 20 | 30 | 80102-AB7-00 | LEVER.REVERSE.PARKING BRAKE |
| 20 | 31 | 80103-AB7-00 | SPRING.LEVER |
| 20 | 32 | 80104-AB7-00 | SPACER.LEVER |
| 20 | 33 | 90247-BLT-00 | BOLT-WASHER M8×1.25×40 |
| 20 | 34 | 90248-WSH-00 | WASHER FLAT φ5 |
| 20 | 35 | 90249-SCW-00 | SCREW.PAN M5×12 |
| 20 | 36 | 90250-NUT-00 | NUT FLANGE LOCK M8 |
| 20 | 37 | 80105-AB7-00 | COVEV.LEVER.GREEN/BLACK |
| 20 | 38 | 80106-AB7-00 | ROD ADJUSTING.CABLE |
| 20 | 39 | 80107-AB7-00 | PARKING BRAKE/REVERSE LEVER ASS'Y. |
| | | | |

Figure Twenty-One - Engine

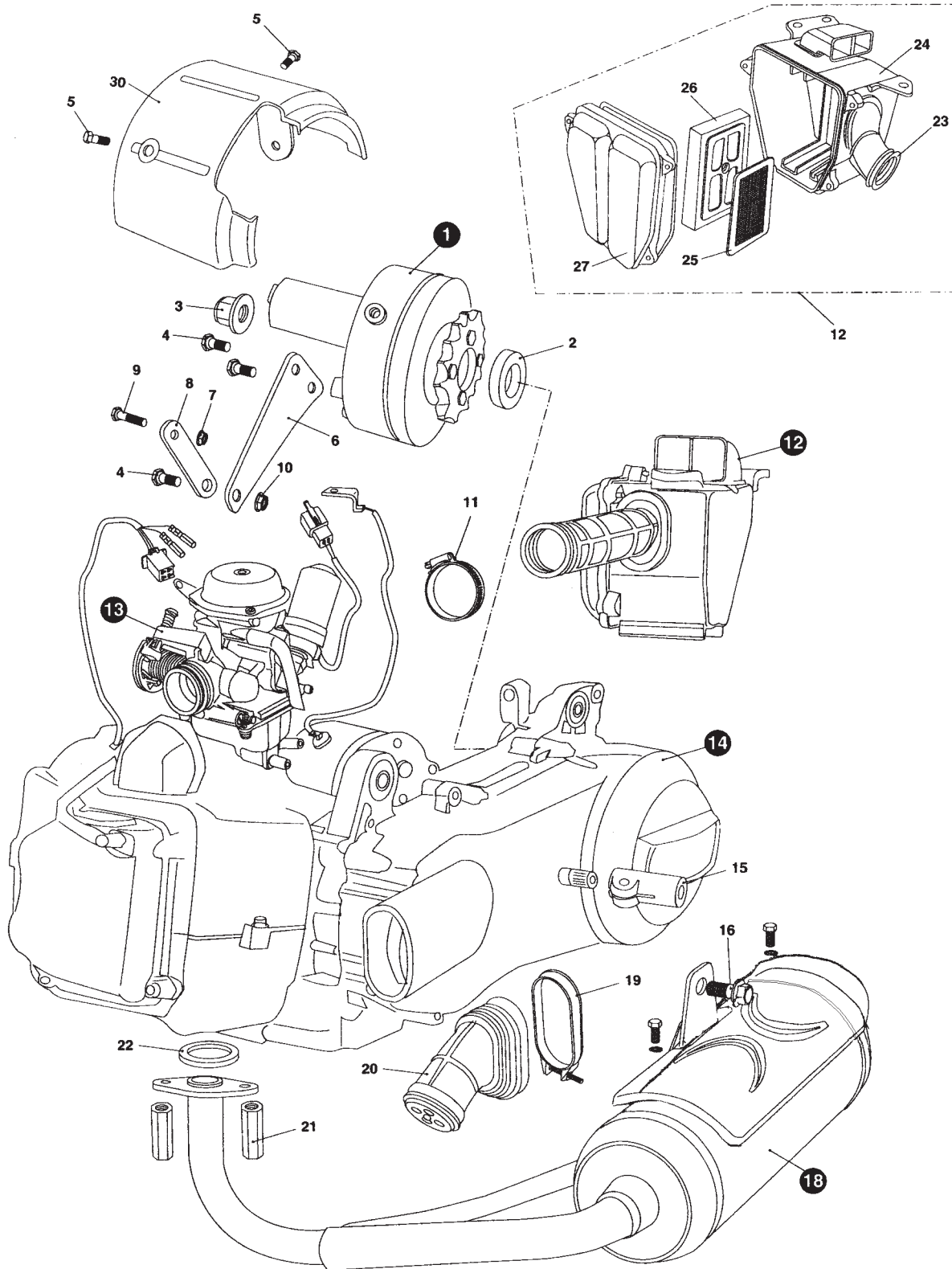


Figure Twenty-One - Engine

| Fig. | Item | Part Number | Description |
|------|------|---------------|----------------------------------|
| 21 | 01 | 80108-AB7-00 | REVERSE ASS'Y |
| 21 | 02 | 80109-AB7-00 | INTERNAL SPACER.REVERSE |
| 21 | 03 | 90251-NUT-00 | NUT FLANGE LOCK M16 |
| 21 | 04 | 90252-BLT-00 | BOLT STRAP M10×1.25×20 |
| 21 | 05 | 90253-BLT-00 | BOLT-WASHER M8×16 |
| 21 | 06 | 80110-AB7-00 | BRACKET.REVERSE |
| 21 | 07 | 90254-NUT-00 | NUT.FLANGE LOCK M8 |
| 21 | 08 | 80111-AB7-00 | CONNECTOR PANEL.REVERSE |
| 21 | 09 | 90255-BLT-00 | BOLT STRAP M8×1.25×40 |
| 21 | 10 | 90256-NUT-00 | NUT.FLANGE LOCK M10 |
| 21 | 11 | 80112-AB7-00 | BAND.AIR CLEANER CONNECTING TUBE |
| 21 | 12 | 13410-EAB-00 | AIR CLEANER ASS'Y. |
| 21 | 13 | 80113-EAB-00 | CARBURETOR |
| 21 | 14 | 00000--EAB-00 | ENGINE.150cc |
| 21 | 15 | 80114-EAB-00 | RACK SUPPORT.MUFFLER |
| 21 | 16 | 90257-BLT-00 | BOLT-WASHER M10×1.25×20 |
| 21 | 17 | 31610-EAB-00 | MUFFLER COMP.EX |
| 21 | 18 | 80115-EAB-00 | CLAMP.BOOT |
| 21 | 19 | 80116-EAB-00 | BOOT.SIDE CASE |
| 21 | 20 | 90258-NUT-00 | NUT.MUFFLER JOINT M6 |
| 21 | 21 | 31614-EAB-00 | GASKET.EX.PIPE |
| 21 | 22 | 80117-EAB-00 | AIR CLEANER CONNECTING TUBE |
| 21 | 23 | 80118-EAB-00 | CASE COMP,AIR CLEANER |
| 21 | 24 | 13451-EAB-00 | ELEMENT.AIR CLEANER |
| 21 | 25 | 80119-EAB-00 | ELEMENT.AIR CLEANER SECOND |
| 21 | 26 | 80120-EAB-00 | COVER.AIR CLEANER |
| 21 | 27 | 80121-EAB-00 | CHAIN PROTECTOR.RR |
| | | | |

Figure Twenty-Two - Rear Suspension

| Fig. | Item | Part Number | Description |
|------|------|--------------|-------------------------|
| 22 | 01 | 90259-BLT-00 | BOLT-WASHER M10×1.25×40 |
| 22 | 02 | 90260-NUT-00 | NUT FLANGE LOCK M10 |
| 22 | 03 | 32210-AB7-00 | CUSHION ASS'Y.RR |
| 22 | 04 | 90261-BLT-00 | BOLT STRAP M8×1.25×100 |
| 22 | 05 | 80122-AB7-00 | BRACKEY.REAR FENDER.L |
| 22 | 06 | 90262-NUT-00 | NYLON LOCK NUT M6 |
| 22 | 07 | 90263-BLT-00 | BOLT-WASHER M8×1.25×45 |
| 22 | 08 | 90264-BLT-00 | BOLT-WASHER M6×16 |
| 22 | 09 | 80123-AB7-00 | COVER.DISC.RR |
| 22 | 10 | 90265-BLT-00 | BOLT STRAP M8×1.25×12 |
| 22 | 11 | 80124-AB7-00 | BRACKEY.REAR FENDER.R |
| 22 | 12 | 80125-BSH-00 | BUSH.SWING ARM |
| 22 | 13 | 90266-COL-00 | COLLAR.SWING ARM |
| 22 | 14 | 45815-AB7-01 | PAD SET.RR.BRAKE |
| 22 | 15 | 45801-AB7-02 | CALIPER ASS'Y.RR |
| 22 | 16 | 80126-AB7-00 | GUARD.CHAIN.DISC |
| 22 | 17 | 80127-AB7-00 | COVER.BATTERY |
| 22 | 18 | 80128-AB7-00 | BAND.BATTERY |
| 22 | 19 | 80129-AB7-00 | CUSHION.BATTERY UNDER |
| 22 | 20 | 62100-AB7-00 | BATTERY (YTX12-BS) |
| 22 | 21 | 80130-AB7-00 | RR.SWING ARM COMP.UNDER |
| 22 | 22 | 90267-NUT-00 | NUT FLANGE LOCK M12 |
| 22 | 23 | 80131-BSH-00 | CUSHION BUSH.SWING ARM |
| 22 | 24 | 90268-BLT-00 | BOLT-WASHER M12×1.25×60 |
| 22 | 25 | 51171-AB7-00 | FENDER.RR |
| | | | |

Figure Twenty-Three - Rear Axle

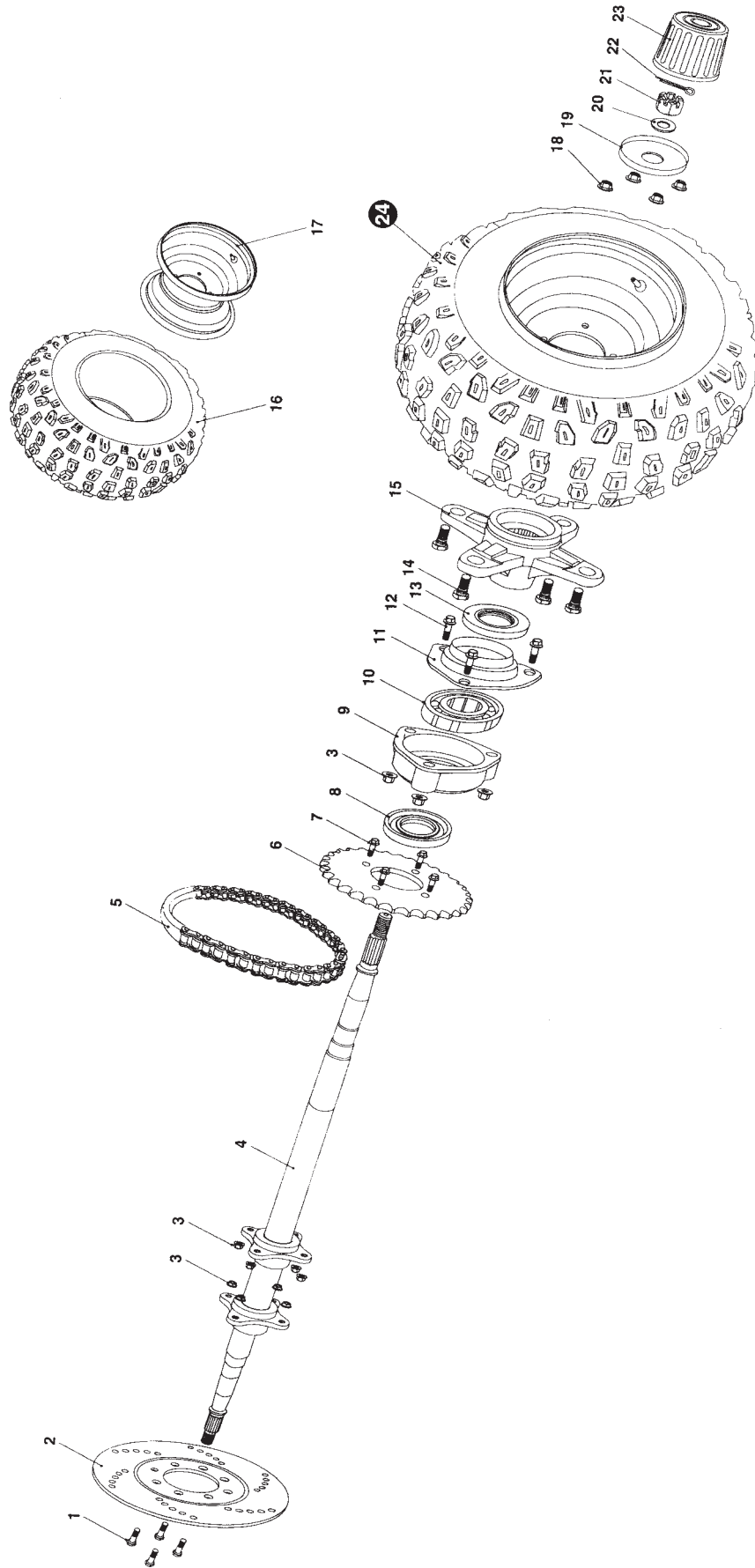


Figure Twenty-Three - Rear Axle

| Fig. | Item | Part Number | Description |
|------|------|--------------|--------------------------|
| 23 | 01 | 90269-BLT-00 | BOLT-WASHER M8×1.25×22 |
| 23 | 02 | 80132-AB7-00 | DISC.RR.BRAKE |
| 23 | 03 | 90270-NUT-00 | NUT.FLANGE LOCK M8 |
| 23 | 04 | 42281-AB7-00 | REAR AXLE |
| 23 | 05 | 25741-AB7-00 | DRIVE.CHAIN O-RING |
| 23 | 06 | 42515-AB7-00 | REAR SPROCKET |
| 23 | 07 | 90271-BLT-00 | BOLT-WASHER M8×1.25×27 |
| 23 | 08 | 80133-AB7-00 | DUST SEAL 50×34-7 |
| 23 | 09 | 80134-AB7-00 | HOUSING COMP.RR.AXLE BRG |
| 23 | 10 | 80135-BER-00 | BEARING 6206 |
| 23 | 11 | 80136-AB7-00 | BEARING BASE |
| 23 | 12 | 90272-BLT-00 | BOLT=WASHER M8×1.25×40 |
| 23 | 13 | 80137-AB7-00 | DUST SEAL 42×30-7 |
| 23 | 14 | 90273-BLT-00 | BOLT.TIRE M10×1.25×31 |
| 23 | 15 | 42882-AB7-00 | HUB.REAR AXLE |
| 23 | 16 | 80138-AB7-00 | TIRE.RR 22×10-10 |
| 23 | 17 | 42885-AB7-00 | RIM.RR |
| 23 | 18 | 90274-NUT-00 | NUT.FLANGE LOCK M10 |
| 23 | 19 | 80139-AB7-00 | HOLDER.RR.COVER |
| 23 | 20 | 80140-AB7-00 | SPACER.RR.WHEEL φ16 |
| 23 | 21 | 90275-NUT-00 | NUT.CASTLE M16 |
| 23 | 22 | 90276-PIN-00 | PIN.COTTER φ4×30 |
| 23 | 23 | 80141-AB7-00 | COVER.RR.HUB |
| 23 | 24 | 80142-AB7-00 | REAR WHEEL ASS'Y |
| | | | |

Figure Twenty-Four - Electrical

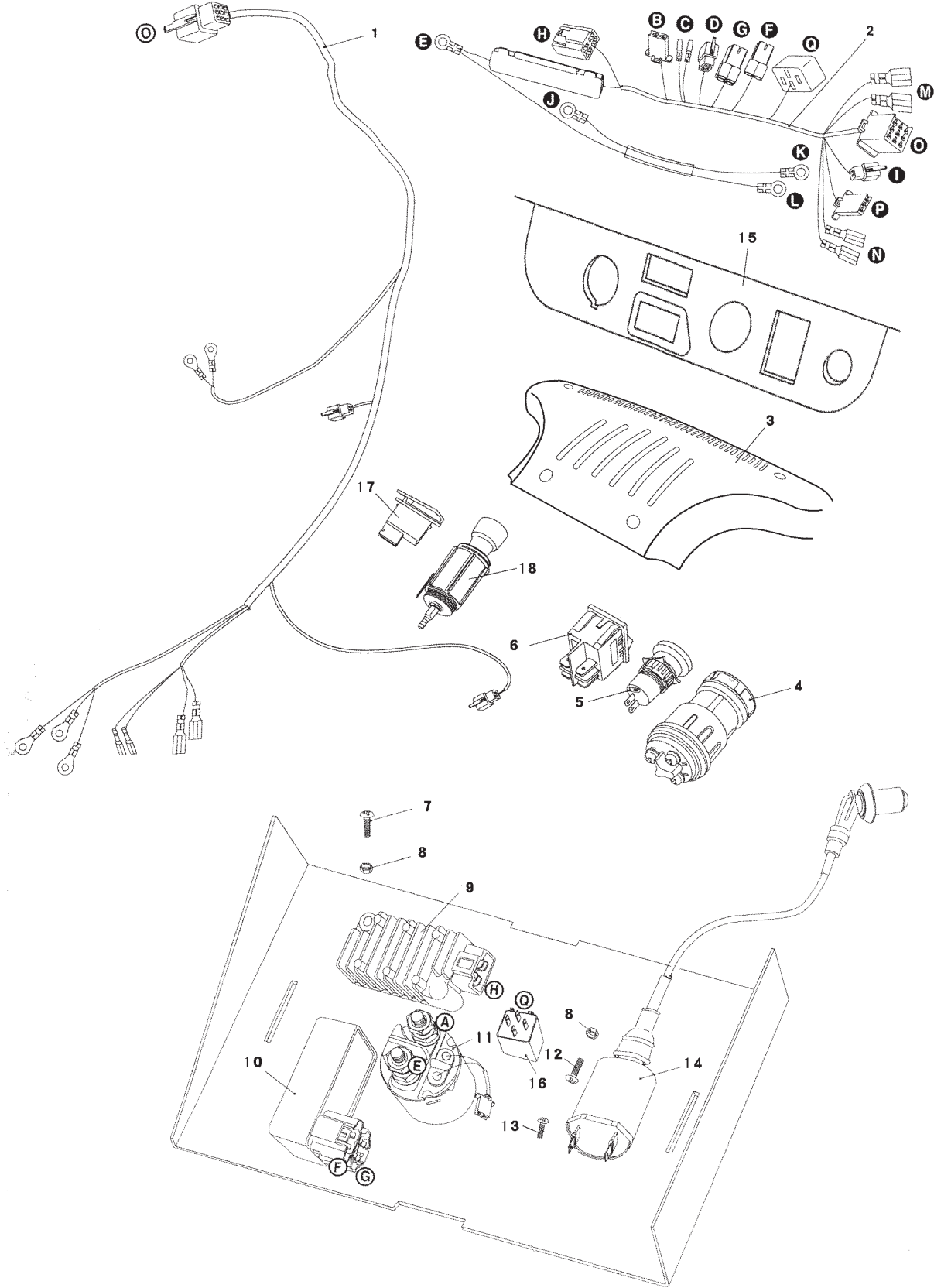


Figure Twenty-Four - Electrical

| Fig. | Item | Part Number | Description |
|------|------|--------------|-----------------------------|
| 24 | 01 | 61120-AB7-00 | HARNESS.WIRE |
| 24 | 02 | 61120-AB7-01 | SOCKET COMP |
| 24 | 03 | 80143-AB7-00 | COVER.SWITCH |
| 24 | 04 | 62501-AB7-00 | IGNITION START SWITCH |
| 24 | 05 | 80144-AB7-00 | ENGING STOP BUTTON |
| 24 | 06 | 80145-AB7-00 | HEADLIGHT SWITCH |
| 24 | 07 | 90277-BLT-00 | BOLT M6×20 |
| 24 | 08 | 90278-NUT-00 | NYLON LOCK NUT M6 |
| 24 | 09 | 62360-AB7-00 | RECTIFIER COMP.REGULATE |
| 24 | 10 | 62540-AB7-00 | UNIT COMP.C.D.I |
| 24 | 11 | 62550-AB7-00 | STARTING RELAY |
| 24 | 12 | 90279-SCW-00 | SCREW.PAN M5×25 |
| 24 | 13 | 90280-SCW-00 | SCREW.PAN M4×10 |
| 24 | 14 | 62310-AB7-00 | COIL COMP.IGNITION |
| 24 | 15 | 80146-AB7-00 | LABEL.IGNITION START SWITCH |
| 24 | 16 | 80147-AB7-00 | CONTROL RELAY |
| 24 | 17 | 80148-AB7-00 | HORN BUTTON |
| 24 | 18 | 80149-AB7-00 | CIGAR LIGHTER |

Figure Twenty-Five - Reverse Assy.

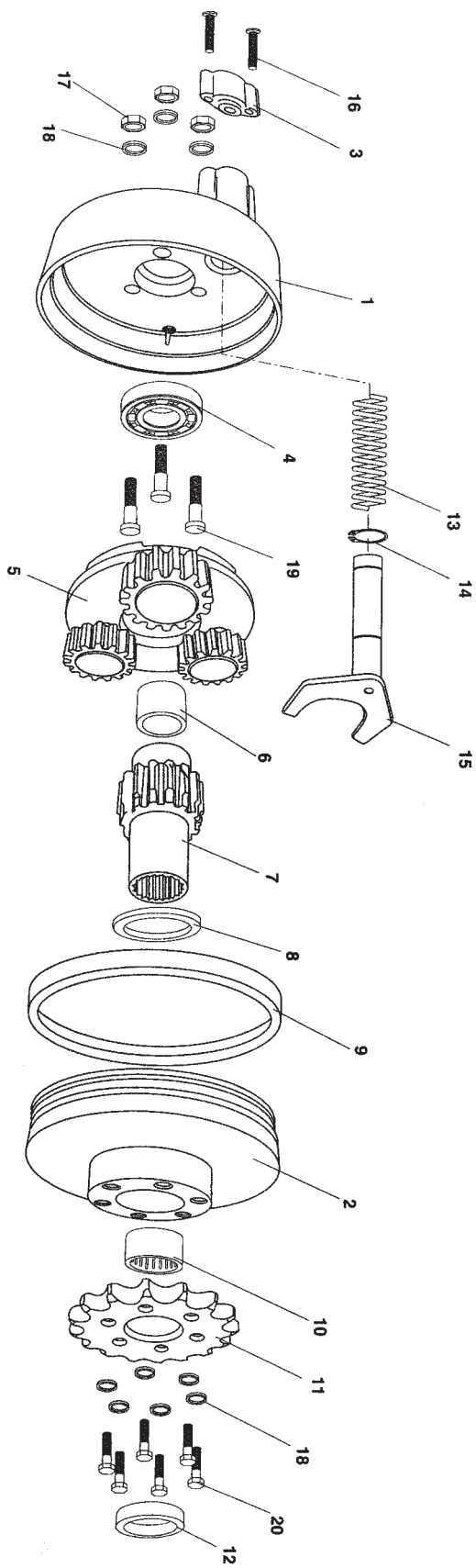


Figure Twenty-Five - Reverse Assy.

| | | | |
|----|----|--------------|---------------------------|
| 25 | 01 | 80150-AB7-00 | GEAR CASE.R |
| 25 | 02 | 80151-AB7-00 | GEAR CASE.L |
| 25 | 03 | 80152-AB7-00 | COVER.GEAR SHIFTING YOKE |
| 25 | 04 | 80153-BER-00 | BEARING 6003 DDU |
| 25 | 05 | 80154-AB7-00 | COUNTER GEAR SHAFT COMP |
| 25 | 06 | 90281-BSH-00 | BUSHING.DRIVE GEAR |
| 25 | 07 | 80155-AB7-00 | DRIVE GEAR |
| 25 | 08 | 90282-COL-00 | COLLAR.DRIVE GEAR |
| 25 | 09 | 80156-OIL-00 | RUBBER OIL SEAL |
| 25 | 10 | 80157-BER-00 | NEEDLE BEARING 28×35×20 |
| 25 | 11 | 25711-AB7-00 | DRIVE SPROCKET |
| 25 | 12 | 80158-AB7-00 | INTERNAL COLLAR |
| 25 | 13 | 80159-AB7-00 | SPRING.GEAR SHIFTING YOKE |
| 25 | 14 | 90283-CLP-00 | CIRCLIP ϕ 12 |
| 25 | 15 | 80160-AB7-00 | GEAR SHIFTING YOKE |
| 25 | 16 | 90284-SCW-00 | SCREW.PAN M6×20 |
| 25 | 17 | 90285-NUT-00 | NUT HEX M8 |
| 25 | 18 | 90286-WSH-00 | WASHER.LOCK ϕ 8 |
| 25 | 19 | 90287-BLT-00 | BOLT M8×1.25×40 |
| 25 | 20 | 90288-BLT-00 | BOLT M8×1.25×25 |
| | | | |



2612 South 11th Street
Niles, Michigan 49720

269-684-0133

www.jehmpowersports.com

Reorder Document Number:
05-M005

Copyright 2005 -- Jehm Powersports
Specifications Subject to Change Without Notice