

DIAMO® Discovery
PARTS CATALOG - 700 Engine

First Edition August 2008



Copyright © 2007-2008 LS MotorSports, LLC. Reproduction without written permission is completely forbidden.

*The information and diagrams included in this catalog are the exclusive property of LS MotorSports, LLC and may not be reproduced in any media without the express written consent of LS MotorSports, LLC.
For more information contact:*

LS MotorSports, LLC
10215 S Sam Houston Parkway W
Houston, TX 77071
281-277-6140

*Information contained in this publication is subject to change without notice.
For the most up to date information please contact DIAMO USA or an Authorized Dealer*



www.DIAMOUSA.com



Copyright © 2007-2008 LS MotorSports, LLC. Reproduction without written permission is completely forbidden.

CONTENTS

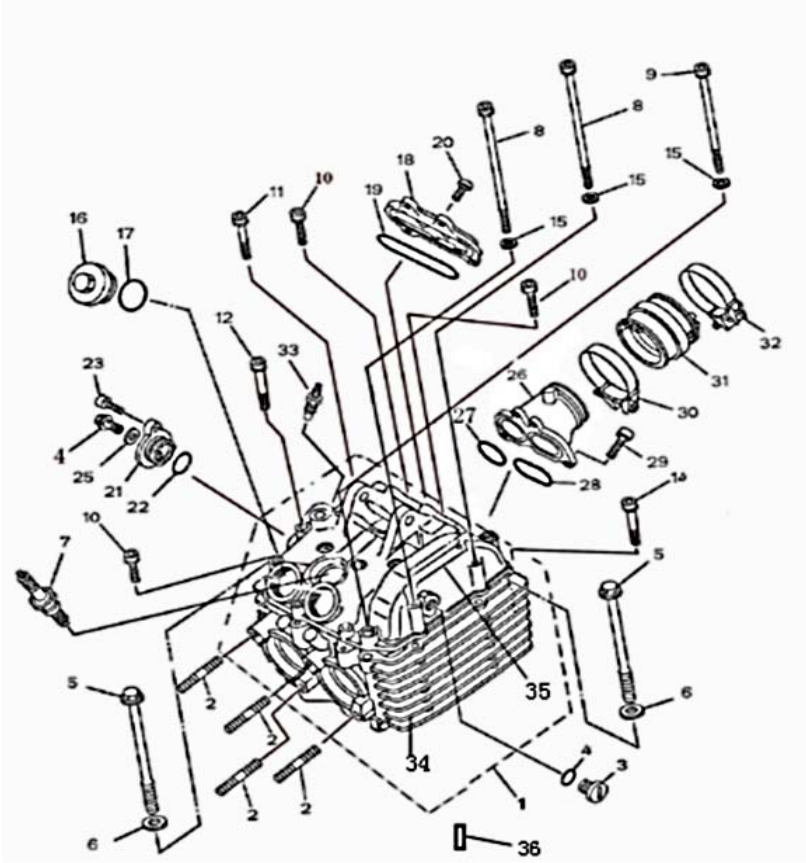
PAGE

4
5
6
7
8
9
10
11
12
13
14
15
16
17
18
19
20
21

TITLE

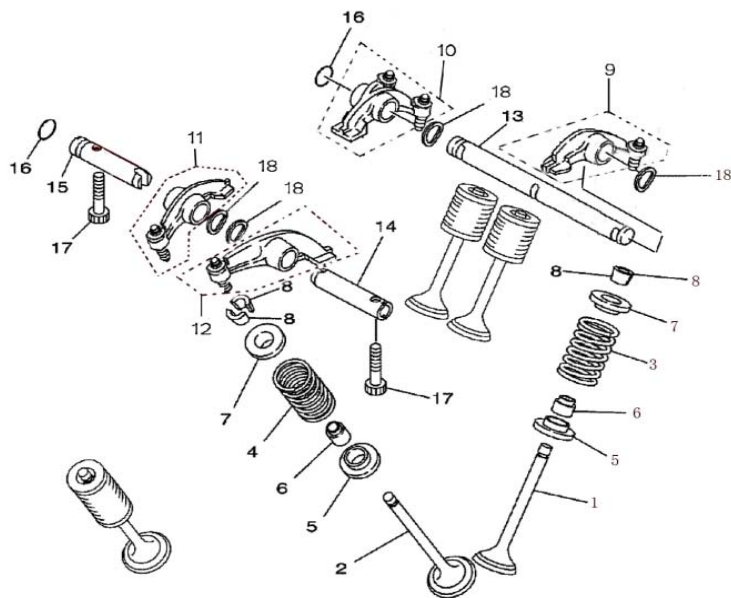
Cylinder Head
Valve
Cylinder
Cam and Cam Chain
Crankshaft and Piston
Crankcase
Crankcase Cover
Transmission
Middle Drive Gear
Clutch
Shift Cam Fork
Oil Pump
Starter and Starter Clutch
Magneto
Water Pump
Carburetor
Pull Starter
Engine Assembly

Fig. 34 Cylinder Head



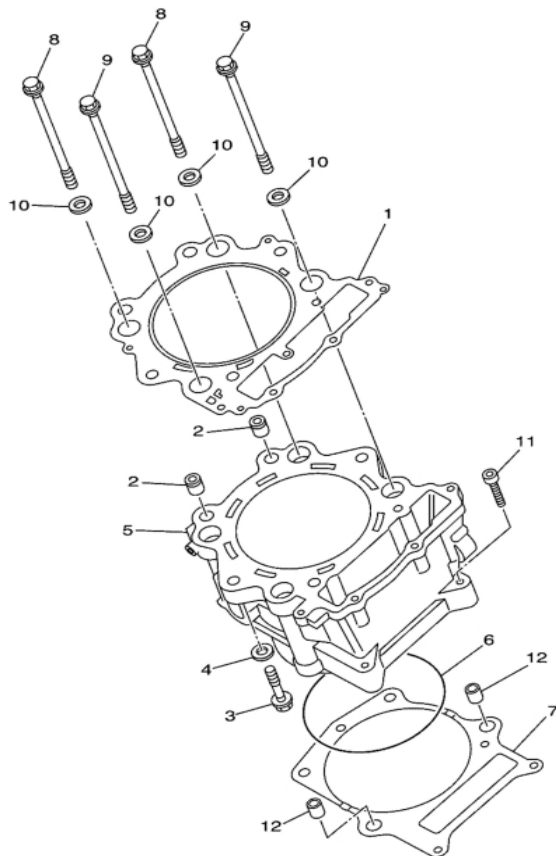
Ref	Code	Part Number	Description
1	12000-F39-0000	08-043-3401	Cylinder Head Assy
2	GB/T 899-1988	08-043-3402	Stud Bolt M8X45
3	12371-F39-0000	08-043-3403	Plug
4	91217-F39-0000	08-043-3404	O-Ring 13.4X2.35
5	90033-F39-0000	08-043-3405	Bolt M9X109
6	90601-F39-0000	08-043-3406	Washer 10X19X2
7	33300-F39-0000	08-043-3407	Spark Plug (NGK DPR8EA)
8	GB/T 70.1-2000	08-043-3408	Bolt M6X130
9	GB/T 70.1-2000	08-043-3409	Bolt M6X115
10	GB/T 70.1-2000	08-043-3410	Bolt M6X25
11	GB/T 70.1-2000	08-043-3411	Bolt M6X40
12	GB/T 70.1-2000	08-043-3412	Bolt M6X55
13	GB/T 70.1-2000	08-043-3413	BoltM6X55
14	GB/T 70.1-2000	08-043-3414	Bolt M6X50
15	90602-F39-0000	08-043-3415	Washer 6.5X11.3X1.6
16	12362-F39-0000	08-043-3416	Cover 2, Cylinder Head
17	91201-F39-0000	08-043-3417	O-Ring 31.7X2.4
18	12361-F39-0000	08-043-3418	Cover, Intake Valve
19	91202-F39-0000	08-043-3419	O-Ring 71.5X3
20	GB/T 70.1-2000	08-043-3420	Bolt M6X18
21	12211-F39-0000	08-043-3421	Cap, Tensioner Case
22	91203-F39-0000	08-043-3422	O-Ring 18.7X2.45
23	GB/T 70.1-2000	08-043-3423	Bolt M6X20
24	GB/T 16674-1996	08-043-3424	Bolt M6X14
25	90603-F39-0000	08-043-3425	Washer 6.2X13X1.5
26	14800-F39-0000	08-039-3426	Intake Manifold
27	91204-F39-0000	08-043-3427	O-Ring 32.4X2
28	91205-F39-0000	08-043-3428	O-Ring 43.6X2
29	GB/T 70.1-2000	08-043-3429	Bolt M6X20
30	90401-F39-0000	08-043-3430	Clamp
31	14801-F39-0000	08-043-3431	Joint, Intake
32	90402-F39-0000	08-043-3432	Clamp
33	36540-F39-0000	08-043-3433	Temerature Sensor
34	12001-F39-0000	08-043-3434	Cylinder Head
35	12002-F39-0000	08-043-3435	Cylinder Head Cover
36	12003-F39-0000	08-043-3436	Dowel Pin

Fig. 35 Valve



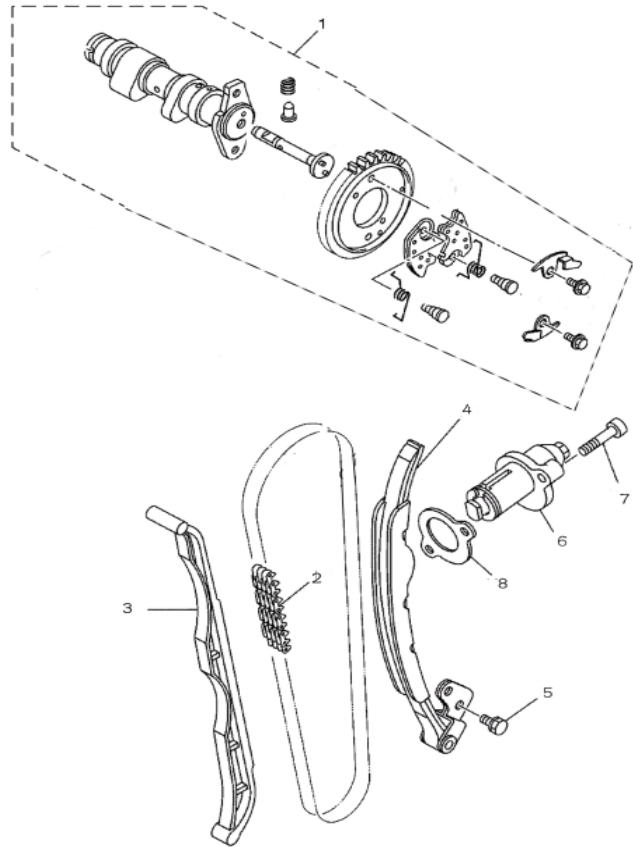
Ref	Code	Part Number	Description
1	14711-F39-0000	08-043-3501	Valve, Intake
2	14721-F39-0000	08-043-3502	Valve, Exhaust
3	14751-F39-0000	08-043-3503	Spring, Intake Valve
4	14761-F39-0000	08-043-3504	Spring, Exhaust Valve
5	14775-F39-0000	08-043-3505	Seat, Valve Spring
6	12209-F39-0000	08-043-3506	Seal, Valve Stem
7	14771-F39-0000	08-043-3507	Retainer, Valve Spring
8	14781-F39-0000	08-043-3508	Cotter, Valve
9	14430-F39-0000	08-043-3509	Rocker Arm 1, Intake Valve
10	14440-F39-0000	08-043-3510	Rocker Arm 2, Intake Valve
11	14450-F39-0000	08-043-3511	Rocker Arm 3, Exhaust Valve
12	14460-F39-0000	08-043-3512	Rocker Arm 4, Exhaust Valve
13	14451-F39-0000	08-043-3513	Shaft, Rocker 1
14	14471-F39-0000	08-043-3514	Shaft, Rocker 3
15	14461-F39-0000	08-043-3515	Shaft, Rocker 4
16	91215-F39-0000	08-043-3516	O-Ring 8.1X2.5
17	GB/T 70.1-2000	08-043-3517	Bolt M6X20
18	14452-F39-0000	08-043-3518	Washer

Fig. 36 Cylinder



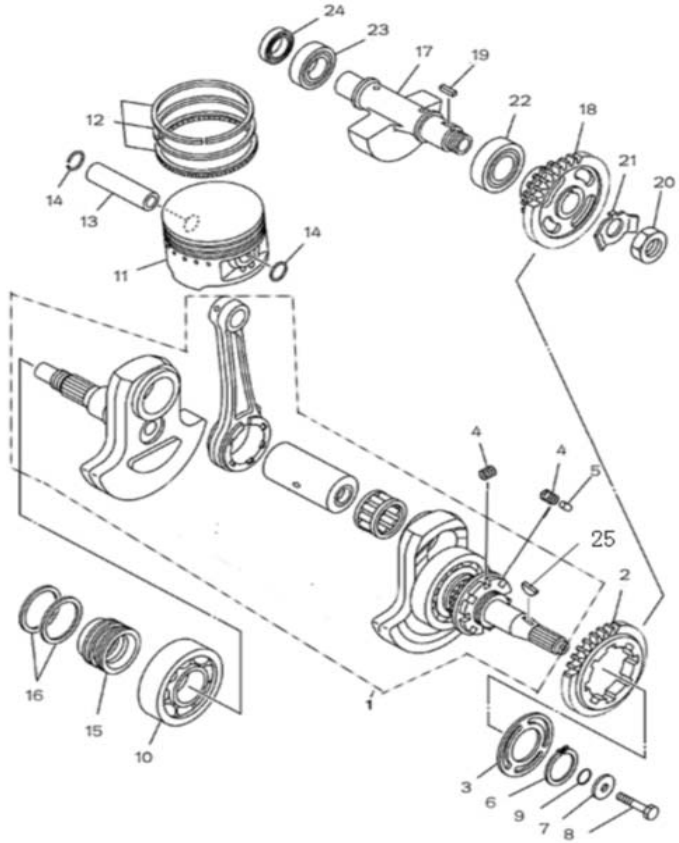
Ref	Code	Part Number	Description
1	12250-F39-0000	08-043-3601	Gasket, Cylinder Head
2	90801-F39-0000	08-043-3602	Dowel Pin 12X15.7
3	GB/T 16674-1996	08-043-3603	Bolt M9X38.5
4	90601-F39-0000	08-043-3604	Washer 10X19X2
5	12100-F39-0000	08-043-3605	Cylinder
6	91206-F39-0000	08-043-3606	O-Ring 105.7X2.8
7	12150-F39-0000	08-043-3607	Gasket, Cylinder
8	90031-F39-0000	08-043-3608	Bolt M10X108.5
9	90032-F39-0000	08-043-3609	Bolt M10X115
10	90604-F39-0000	08-043-3610	Washer 10.5X20X2.2
11	GB/T 70.1-2000	08-043-3611	Bolt M6X40
12	90802-F39-0000	08-043-3612	Dowel Pin 14X15.7

Fig. 37 Cam and Cam Chain



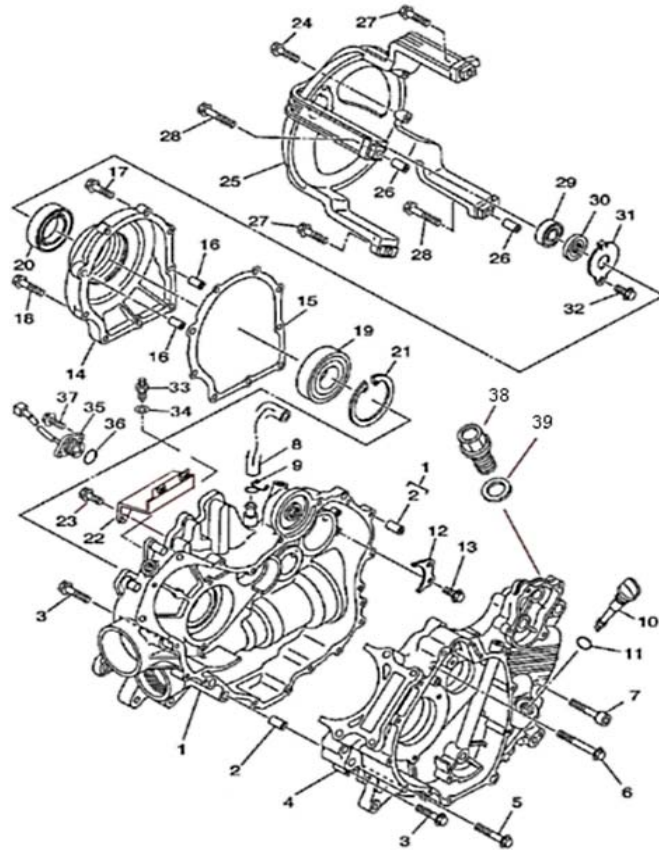
Ref	Code	Part Number	Description
1	14100-F39-0000	08-043-3701	Camshaft Assy
2	M7-6.35-126	08-043-3702	Cam Chain (92RH2010-126M)
3	14630-F39-0000	08-043-3703	Guide 1, Cam Chain
4	14520-F39-0000	08-043-3704	Guide 2, Cam Chain
5	GB/T 9074.14-88	08-043-3705	Bolt
6	14500-F39-0000	08-043-3706	Tensioner
7	GB/T 70.1-2000	08-043-3707	Bolt M6X25
8	14508-F39-0000	08-043-3708	Gasket, Tensioner

Fig. 38 Crankshaft and Piston



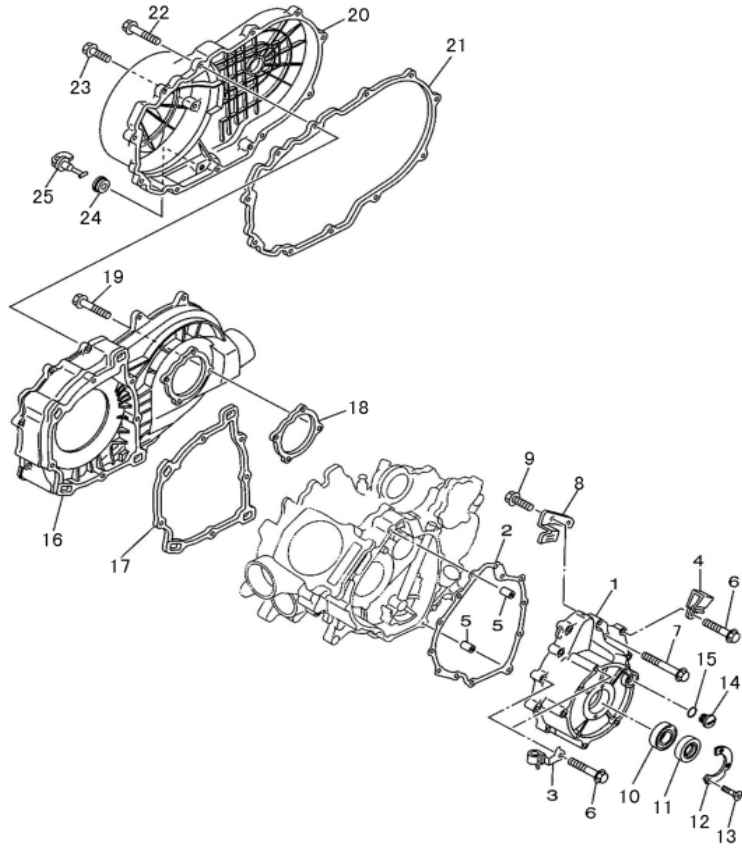
Ref	Code	Part Number	Description
1	13200-F39-0000	08-043-3801	Crankshaft Assy
2	13304-F39-0000	08-043-3802	Gear, Drive
3	13305-F39-0000	08-043-3803	Washer, Bearing Cover
4	13302-F39-0000	08-043-3804	Spring
5	13303-F39-0000	08-043-3805	Dowel Pin 6X9.4
6	90701-F39-0000	08-043-3806	Circlip 35
7	90618-F12-0000	08-043-3807	Washer 10X30X3.2
8	GB/T 5783-2000	08-043-3808	Bolt M10X40
9	91207-F39-0000	08-043-3809	O-Ring 16.1X3.1
10	GB/T 276-1994	08-043-3810	Bearing
11	13101-F39-0000	08-043-3811	Piston
12	13120-F39-0000	08-043-3812	Piston Ring Set
13	13111-F39-0000	08-043-3813	Piston Pin
14	91301-F39-0000	08-043-3814	Circlip
15	13401-F39-0000	08-043-3815	Spacer
16	13402-F39-0000	08-043-3816	Seal, Crankshaft
17	13300-F39-0000	08-043-3817	Weight 1
18	13320-F39-0000	08-043-3818	Balancer Weight Gear
19	GB/T 1095-2003	08-043-3819	Straight Key B5X12.4
20	GB/T6172.1-2000	08-043-3820	Nut M18X1
21	13321-F39-0000	08-043-3821	Washer, Lock
22	GB/T 276-1994	08-043-3822	Bearing 6305
23	GB/T 276-1994	08-043-3823	Bearing 6304R
24	91101-F39-0000	08-043-3824	Oil Seal 20X30X7
25	13201-F39-0000	08-043-3825	Woodruff Key

Fig. 39 Crankcase



Ref	Code	Part Number	Description
1	11200-F39-0000	08-043-3901	Left Crankcase
2	90803-F11-0000	08-043-3902	Dowel Pin 10X15.7
3	GB/T 16674-1996	08-043-3903	Bolt M6X30
4	11100-F39-0000	08-043-3904	Right Crankcase
5	GB/T 16674-1996	08-043-3905	Bolt M6X40
6	GB/T 5789-1986	08-043-3906	Bolt M6X55
7	GB/T 70.1-2000	08-043-3907	Bolt M8X40
8	91202-058-0000	08-043-3908	Pipe, Breather 1
9	91503-058-0000	08-043-3909	Clip
10	15651-F39-0000	08-043-3910	Oil Level Dipstick
11	91216-F39-0000	08-043-3911	O-Ring 20X2.3
12	11111-F39-0000	08-043-3912	Plate, Bearing Cover
13	GB/T 16674-1996	08-043-3913	Bolt M6X14
14	21240-F39-0000	08-043-3914	Housing, Bearing 1
15	21241-F39-0000	08-043-3915	Gasket
16	90803-F11-0000	08-043-3916	Dowel Pin 10X16
17	GB/T 16674-1996	08-043-3917	Bolt M6X30
18	GB/T 16674-1996	08-043-3918	Bolt M6X40
19	GB/T 276-1994	08-043-3919	Bearing 16010
20	91102-F39-0000	08-043-3920	Oil Seal 35X65X8
21	90704-F39-0000	08-043-3921	Circlip 80
22	17115-F39-0000	08-043-3922	Bracket
23	GB/T 5789-1986	08-043-3923	Bolt M6X16
24	GB/T 5789-1986	08-043-3924	Bolt M6X20
25	11330-F39-0000	08-043-3925	Housing, Bearing
26	90801-F39-0000	08-043-3926	Dowel Pin 10X16
27	GB/T 5789-1986	08-043-3927	Bolt M6X30
28	GB/T 5789-1986	08-043-3928	Bolt M6X40
29	GB/T 276-1994	08-043-3929	Bearing 6201RD
30	91101-F12-0000	08-043-3930	Oil Seal 12X32X6
31	11331-F12-0000	08-043-3931	Plate, Bearing Cover
32	GB/T 16674-1996	08-043-3932	Bolt M6X12
33	37180-F12-0000	08-043-3933	Neutral Switch
34	90603-F12-0000	08-043-3934	Washer 10X16X1
35	37120-F39-0000	08-043-3935	Gear Position Sensor
36	91208-F39-0000	08-043-3936	O-Ring 29.6X2.4
37	GB/T 9074.14-88	08-043-3937	Bolt M6X16
38	43611-F39-0000	08-043-3938	Parking State Bolt
39	90609-F39-0000	08-043-3939	Gasket 14X20X1.5

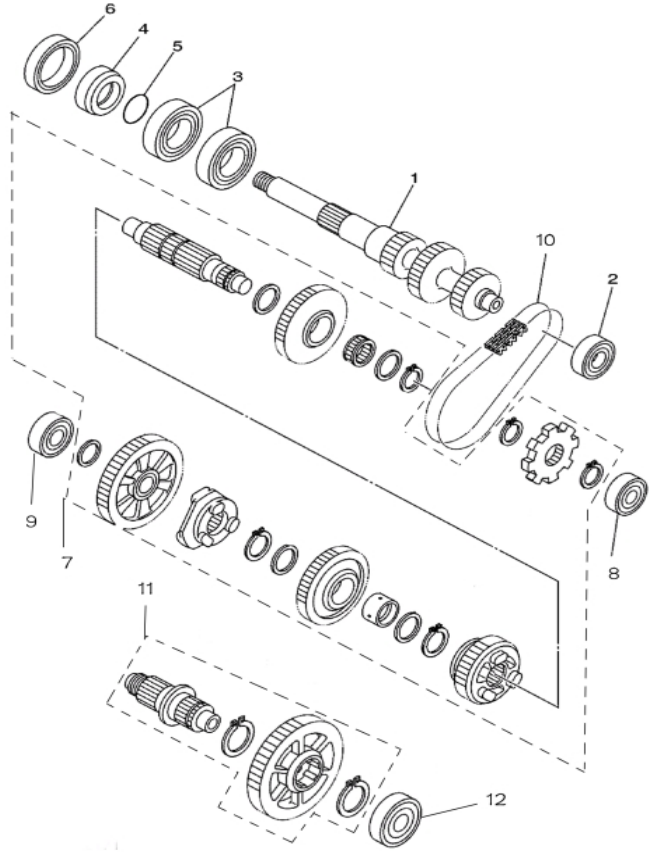
Fig. 40 Crankcase Cover



Ref	Code	Part Number	Description
1	11321-F39-0000	08-043-4001	Cover, Crankcase 1
2	11323-F39-0000	08-043-4002	Gasket, Crankcase Cover 1
3	91501-F39-0000	08-043-4003	Clamp
4	91601-F39-0000	08-043-4004	Clamp
5	90803-F11-0000	08-043-4005	Dowel Pin
6	GB/T 16674-1996	08-043-4006	Bolt M6X30
7	GB/T 16674-1996	08-043-4007	Bolt M6X40
8	11322-F39-0000	08-043-4008	Plate
9	GB/T 16674-1996	08-043-4009	Bolt M6X14
10	GB/T 276-1994	08-043-4010	Bearing 60/28
11	91103-F12-0000	08-043-4011	Oil Seal 28X52X8.2
12	11324-F11-0000	08-043-4012	Thrust Washer
13	GB/T819.1-2000	08-043-4013	Screw M5X16
14	11325-F19-0000	08-043-4014	Inspection Hole Cover
15	91209-F39-0000	08-043-4015	O-Ring 13.4X2.35
16	11450-F39-0000	08-043-4016	Cover, Crankcase 2
17	11411-F39-0000	08-043-4017	Gasket 1, Clutch Cover
18	11412-F39-0000	08-043-4018	Gasket 2, Clutch Cover
19	GB/T 5789-1986	08-043-4019	Bolt M6X30
20	11400-F39-0000	08-043-4020	Cover, Crankcase 3
21	11413-F39-0000	08-043-4021	Gasket, Crankcase Cover 3
22	GB/T 5789-1986	08-043-4022	Bolt M6X25
23	GB/T 5789-1986	08-043-4023	Bolt M6X16
24	11403-F12-0000	08-043-4024	Grommet
25	11404-F12-0000	08-043-4025	Drain Plug

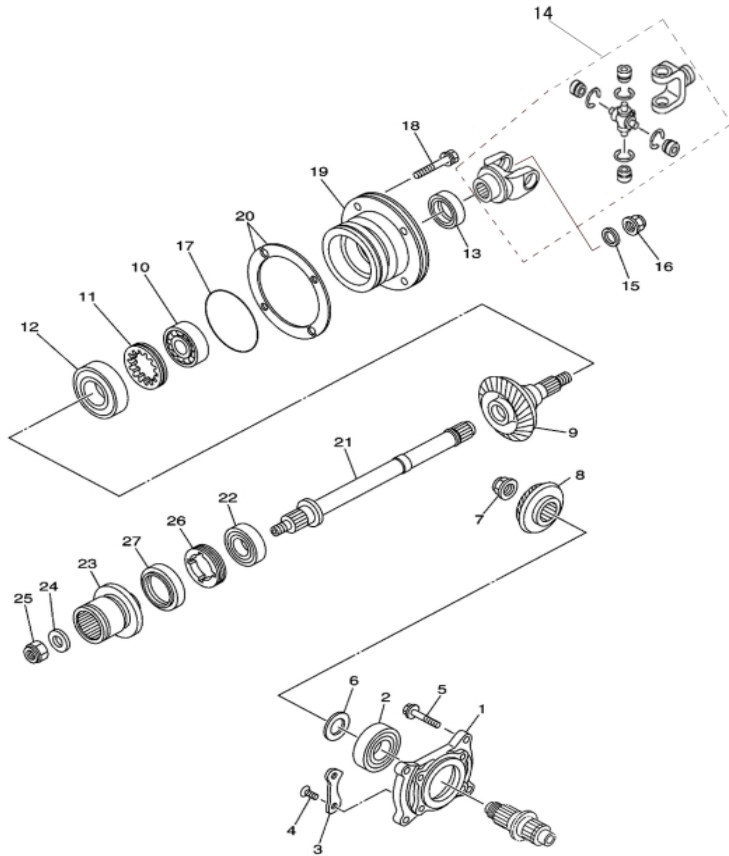
Fig. 41

Transmission



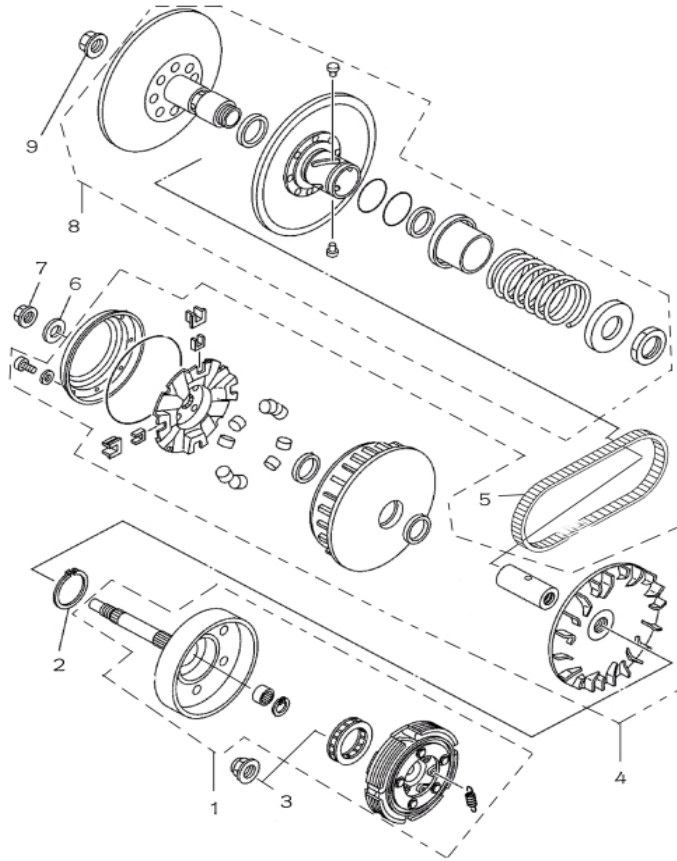
Ref	Code	Part Number	Description
1	22211-F39-0000	08-043-4101	Shaft, Secondary
2	GB/T 276-1994	08-043-4102	Bearing 6203
3	GB/T 276-1994	08-043-4103	Bearing 6006C3
4	22203-F12-0000	08-043-4104	Collar
5	91218-F39-0000	08-043-4105	O-Ring 26.1X2.4
6	91104-F12-0000	08-043-4106	Oil Seal 42X55X8
7	22220-F39-0000	08-043-4107	Middle Axle Assy
8	GB/T 276-1994	08-043-4108	Bearing 6202
9	GB/T 276-1994	08-043-4109	Bearing 6203DLA8
10	M9-9.525-34	08-043-4110	Chain (23RH302-34ASM)
11	22400-F39-0000	08-043-4111	Middle Gear Assy
12	GB/T 276-1994	08-043-4112	Bearing 6305

Fig. 42 Middle Drive Gear



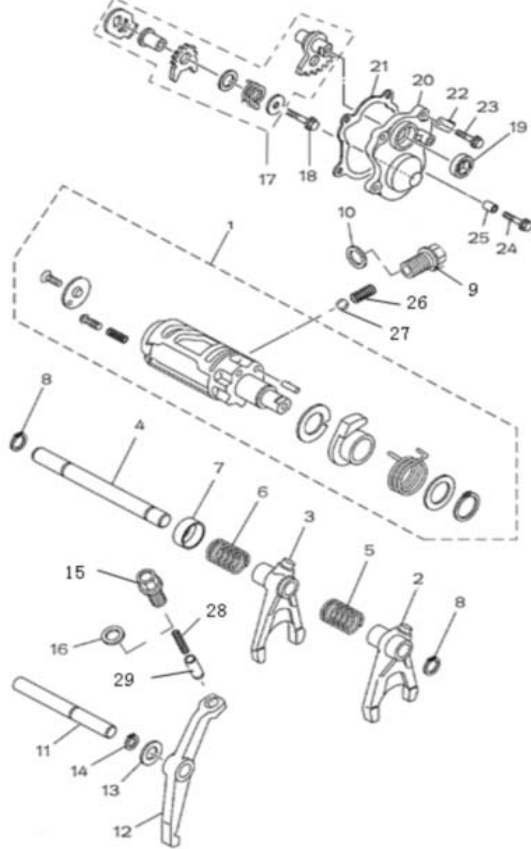
Ref	Code	Part Number	Description
1	22140-F39-0000	08-043-4201	Housing, Bearing
2	GB/T 276-1994	08-043-4202	Bearing 6305
3	22142-F12-0000	08-043-4203	Plate, Bearing Cover
4	GB/T 819.2-1997	08-043-4204	Screw M8X24
5	GB/T 5789-1986	08-043-4205	Bolt M6X30
6	90606-F39-0000	08-043-4206	Shim 26X38X (0.10-0.60)
7	GB/T 6172.1-2000	08-043-4207	Nut M22
8	22141-F39-0000	08-043-4208	Middle Pinion Gear
9	22150-F39-0000	08-043-4209	Middle Ring Gear
10	GB/T 276-1994	08-043-4210	Bearing 6207
11	22158-F39-0000	08-043-4211	Nut, Special
12	GB/T 276-1994	08-043-4212	Bearing 63/22
13	91106-F12-0000	08-043-4213	Oil Seal 30X46X8
14	22160-F39-0000	08-043-4214	U-Joint
15	90607-F39-0000	08-043-4215	Washer 16.5X28X4
16	90301-F39-0000	08-043-4216	Nut M16
17	91201-F11-0000	08-043-4217	O-Ring 88X2.8
18	GB/T 9074.14-88	08-043-4218	Bolt M8X30
19	22151-F39-0000	08-043-4219	Housing, Bearing
20	22152-F39-0000	08-043-4220	Shim 26X38X (0.10-0.60)
21	22156-F39-0000	08-043-4221	Shaft
22	GB/T 276-1994	08-043-4222	Bearing 6205
23	22190-F39-0000	08-043-4223	Flange, Coupling
24	90618-F39-0000	08-043-4224	Washer 14.2X32X5
25	90301-F12-0000	08-043-4225	Nut M14
26	22159-F12-0000	08-043-4226	Nut, Special
27	91103-F39-0000	08-043-4227	Oil Seal 44X60X7

Fig. 43 Clutch



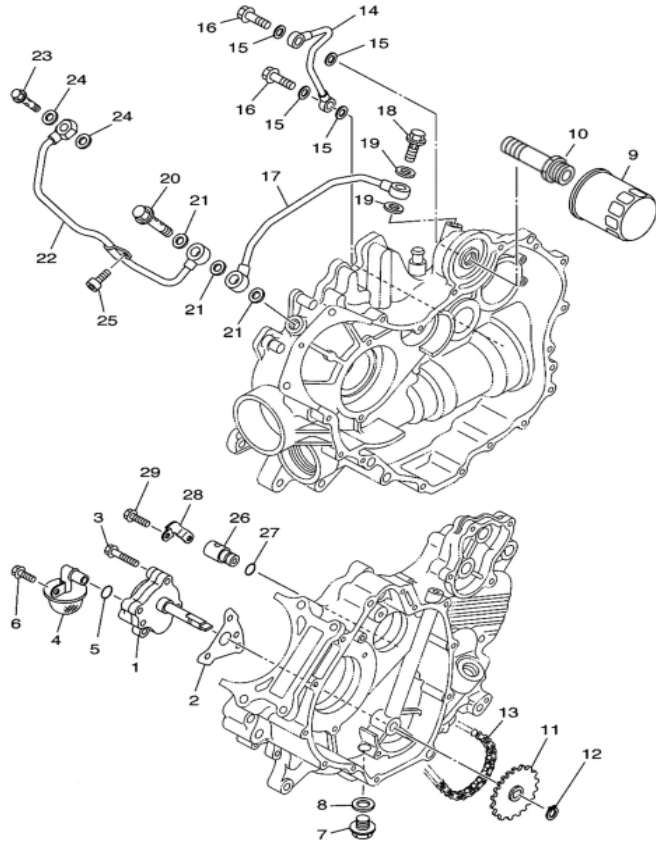
Ref	Code	Part Number	Description
1	21200-F39-0000	08-043-4301	Clutch Assy
2	90705-F39-0000	08-043-4302	Circlip
3	GB/ T6172.1-2000	08-043-4303	Nut M22X1
4	21300-F39-0000	08-043-4304	Primary Sheave
5	25300-F39-0000	08-043-4305	V-Belt
6	90609-F12-0000	08-043-4306	Washer 19.2X35X3.2
7	GB/ T6172.1-2000	08-043-4307	Nut M16X1
8	21400-F39-0000	08-043-4308	Secondary Sheave
9	GB/ T6172.1-2000	08-043-4309	Nut M16X1

Fig. 44 Shift Cam Fork



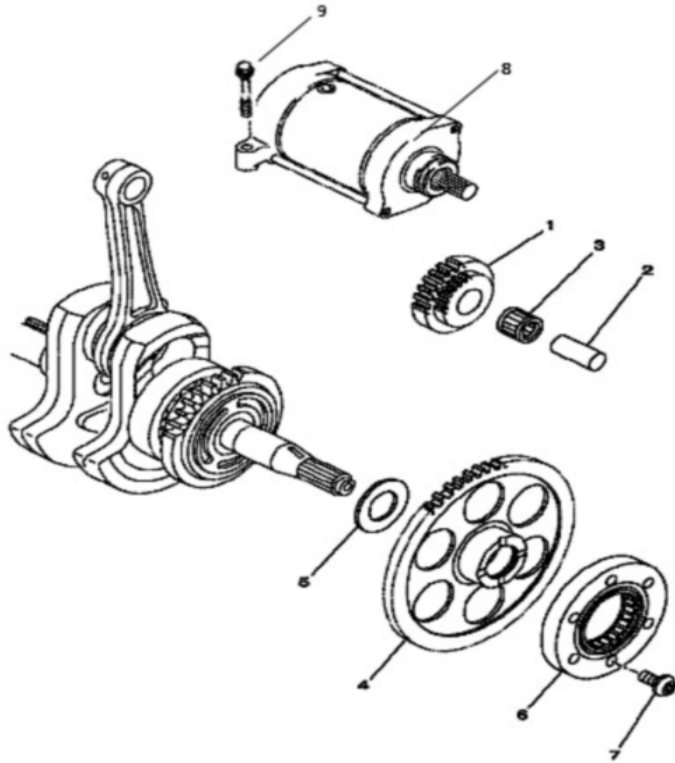
Ref	Code	Part Number	Description
1	23200-F39-0000	08-043-4401	Shift Cam Assy
2	23101-F39-0000	08-043-4402	R Fork
3	23102-F39-0000	08-043-4403	H-L Fork
4	23103-F39-0000	08-043-4404	Fork Shaft
5	23104-F39-0000	08-043-4405	Spring, Compression
6	23105-F39-0000	08-043-4406	Spring, Compression
7	23106-F39-0000	08-043-4407	Cap, Spring
8	90702-F39-0000	08-043-4408	Circlip
9	23300-F39-0000	08-043-4409	Bolt, Gear Station
10	90617-F39-0000	08-043-4410	Gasket 14X22X1
11	43601-F39-0000	08-039-4411	Shaft, Shifter
12	43602-F39-0000	08-039-4412	Lever
13	90608-F39-0000	08-039-4413	Washer 12.3x20x1
14	90702-F39-0000	08-039-4414	Circlip
15	43610-F39-0000	08-039-4415	Parking Station Bolt
16	90609-F39-0000	08-039-4416	Gasket 14x20x1.5
17	23340-F39-0000	08-039-4417	Shift Guide Assy
18	GB/T 5789-1986	08-039-4418	Bolt M6X35
19	91111-F12-0000	08-039-4419	Oil Seal 15X25X5
20	23311-F39-0000	08-039-4420	Cover, Shift Shaft
21	23312-F39-0000	08-039-4421	Gasket, Shift Shaft Cover
22	91602-F39-0000	08-039-4422	Wire Clip
23	GB/T 16674-1996	08-039-4423	Bolt M6X20
24	GB/T 16674-1996	08-039-4424	Bolt M6X30
25	90803-F39-0000	08-039-4425	Dowel Pin 8X11.7
26	23301-F39-0000	08-039-4426	Spring, Gear Station
27	23302-F39-0000	08-039-4427	Ball, Gear Station
28	43611-F39-0000	08-039-4428	Spring, Parking Station Bolt
29	43612-F39-0000	08-039-4429	Pin, Parking Station Bolt

Fig. 45 Oil Pump



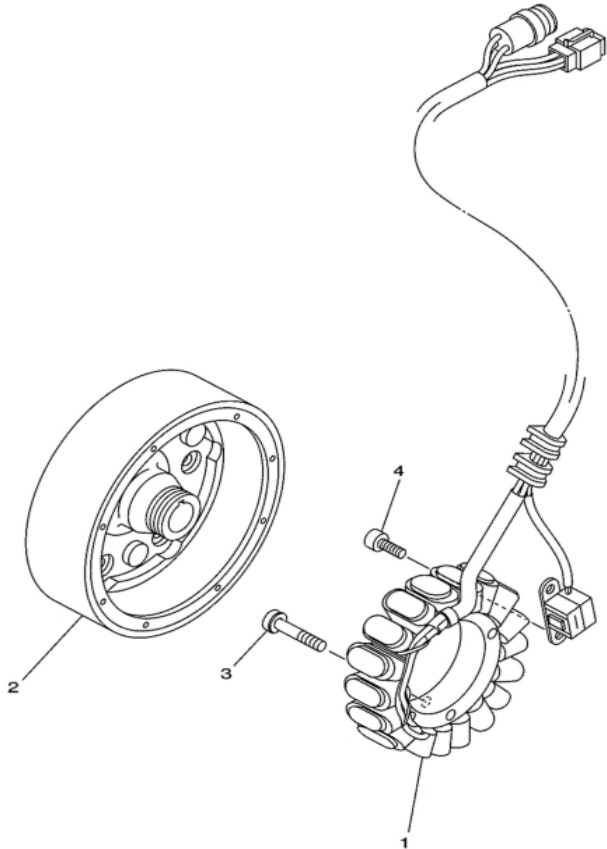
Ref	Code	Part Number	Description
1	15100-F39-0000	08-043-4501	Oil Pump Assy
2	15101-F39-0000	08-043-4502	Gasket, Oil Pump
3	GB/T 16674-1996	08-043-4503	Bolt M6X40
4	15300-F39-0000	08-043-4504	Strainer Housing Assy
5	91210-F39-0000	08-043-4505	O-Ring 14X2.3
6	GB/T 16674-1996	08-043-4506	Bolt M6X14
7	GB/T 5789-1986	08-043-4507	Bolt M14X1.5-6H-16
8	90612-F39-0000	08-043-4508	Washer 14X22X1
9	15200-F39-0001	08-039-4509	Oil Filter
10	15201-F39-0001	08-043-4510	Bolt, Oil Filter Fitting
11	15202-F39-0000	08-043-4511	Sprocket, Driven
12	90703-F39-0000	08-043-4512	Circlip
13	04CH-70	08-043-4513	Oil Pump Chain
14	15301-F39-0000	08-043-4514	Pipe, Oil Delivery 1
15	90613-F39-0000	08-043-4515	Washer 8.4X15X2
16	15304-F39-0000	08-043-4516	Bolt, Special 1 M8X20
17	15302-F39-0000	08-043-4517	Pipe, Oil Delivery 2
18	15305-F39-0000	08-043-4518	Bolt, Special 2 M14X28.5
19	90609-F39-0000	08-043-4519	Washer 14X20X1.5
20	15307-F39-0000	08-043-4520	Bolt, Special 4 M14X50
21	90609-F39-0000	08-043-4521	Washer 14X20X1.5
22	15303-F39-0000	08-043-4522	Pipe, Oil Delivery 3
23	15306-F39-0000	08-043-4523	Bolt, Special 3 M14X50
24	90614-F39-0000	08-043-4524	Washer 10.2X16X1.2
25	GB/T 70.1-2000	08-043-4525	Bolt M6X12
26	15360-F39-0000	08-043-4526	Relief Valve Assy
27	91211-F39-0000	08-043-4527	O-Ring 10X2.45
28	15361-F39-0000	08-043-4528	Plate
29	GB/T 16674-1996	08-043-4529	Bolt M6X12

Fig. 46 Starter and Starter Clutch



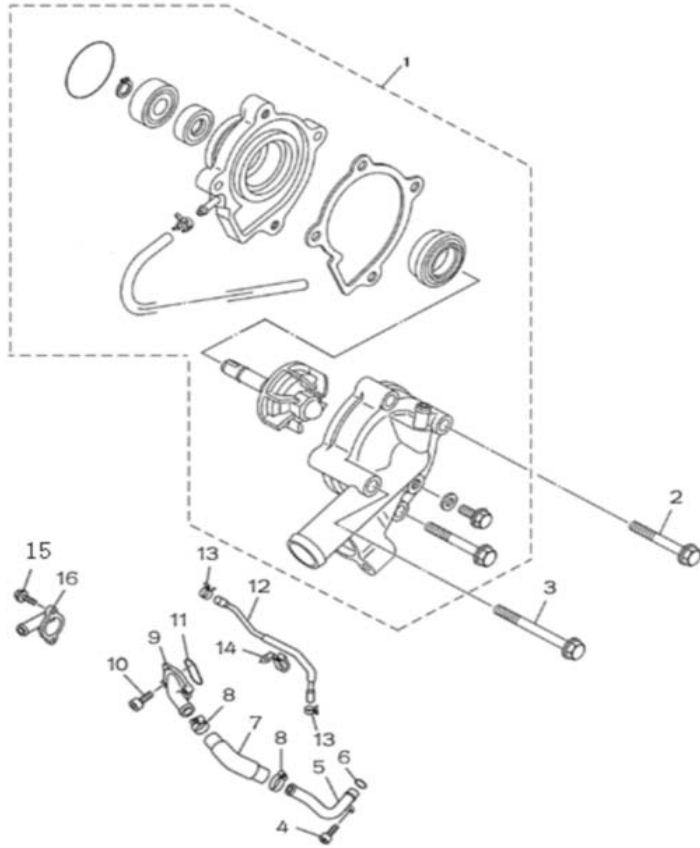
Ref	Code	Part Number	Description
1	31220-F39-0000	08-043-4601	Idler Gear 1
2	31230-F39-0000	08-043-4602	Shaft, Idler Gear
3	31250-F39-0000	08-043-4603	Bearng KBK121618
4	31240-F39-0000	08-043-4604	Idler Gear 2
5	90615-F39-0000	08-043-4605	Washer 25X39X1
6	31100-F11-0000	08-043-4606	Starter Clutch One Way Assy
7	GB/T 70.1-2000	08-043-4607	Bolt M8X16
8	31200-F39-0000	08-043-4608	Starter Motor
9	GB/T 16674-1996	08-043-4609	Bolt M6X30

Fig. 47 Magneto



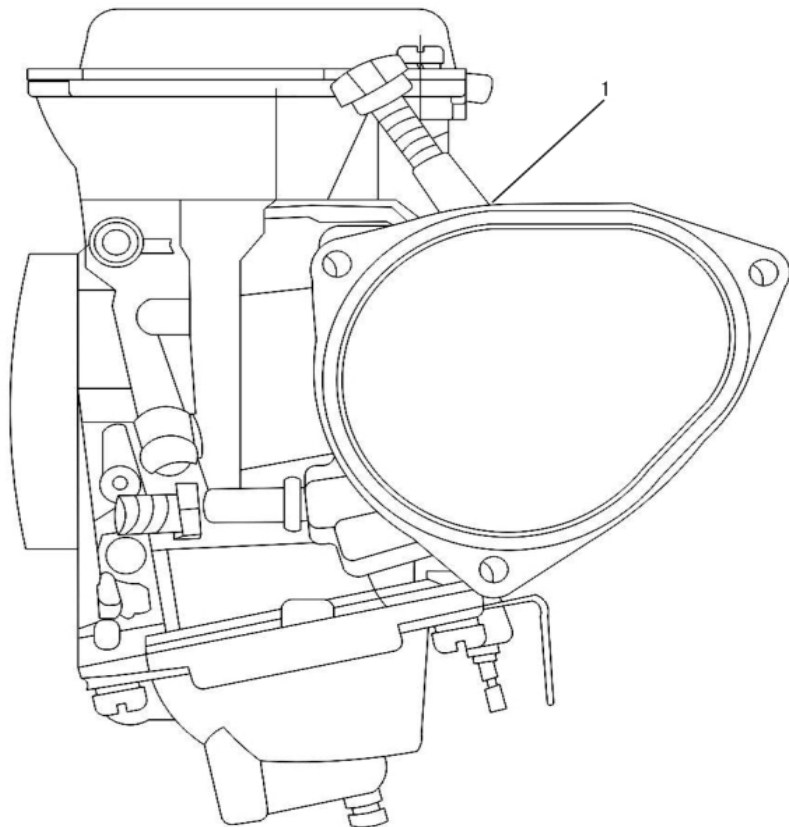
Ref	Code	Part Number	Description
1	31100-F39-0000	08-043-4701	Stator Assy
2	31101-F39-0000	08-043-4702	Rotor Assy
3	GB/T 9074.5-1988	08-043-4703	Screw
4	GB/T 70.1-2000	08-043-4704	Bolt M5X12

Fig. 48 Water Pump



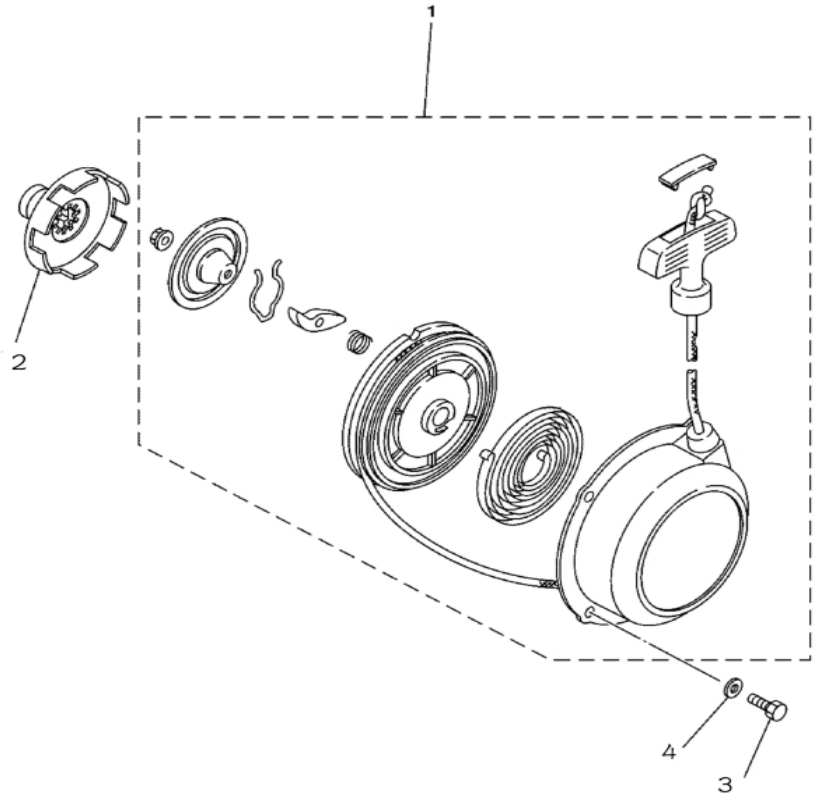
Ref	Code	Part Number	Description
1	19700-F39-0000	08-043-4801	Water Pump Assy
2	GB/T 16674-1996	08-043-4802	Bolt M6X45
3	GB/T 16674-1996	08-043-4803	Bolt M6X65
4	GB/T 70.1-2000	08-043-4804	Bolt M6X10
5	19272-F39-0000	08-043-4805	Water Pipe 1
6	91213-F39-0000	08-043-4806	O-Ring 20.7X2.6
7	19273-F39-0000	08-043-4807	Water Pipe 2
8	90405-F39-0000	08-043-4808	Clip, Water Pipe
9	19210-F39-0000	08-043-4809	Joint, Water Pipe
10	GB/T 70.1-2000	08-043-4810	Bolt M6X20
11	91214-F39-0000	08-043-4811	O-Ring 33.4X2.4
12	19271-F39-0000	08-043-4812	Water Pipe 1
13	90404-F39-0000	08-043-4813	Clip
14	91502-F39-0000	08-043-4814	Clip, Water Pipe
15	GB/T 16674-1996	08-043-4815	Bolt M6X20
16	19410-F39-0000	08-043-4816	Thermostat Cover

Fig. 49 Carburetor



Ref	Code	Part Number	Description	
1	16100-F39-0000	08-039-4901	CARBURETOR ASSY - 700 ATV	

Fig. 50 Pull Starter



Ref	Code	Part Number	Description
1	24400-F12-0000	08-039-5001	Pull Starter Assy
2	24410-F12-0000	08-039-5002	Pulley, Pull Starter
3	GB/T9074.14-88	08-039-5003	Bolt M6x14
4	GB/T95-2002	08-039-5004	Washer

Fig. 52 Engine Assembly

Ref	Code	Part Number	Description	
1		08-039-5101	Engine Assy - 700 ATV	