

# **Carter**

A Better Built Machine.

*Owners Manual*

*Parts Manual*

*Mini Talon model 2503*



***This manual contains very important safety information. Please read the entire manual prior to using your Mini Talon. Maintain this manual for future reference.***

*Revision 03.22.06v1*

## **MINI-Talon Limited Warranty**

The warranty policy applies to those cases where the new vehicle is unloaded from its shipping container, set up and delivered by an authorized dealer and under normal use and service is found to have defects in parts or workmanship under the following terms and conditions. This warranty covers the MINI-Talon and related components, except engine, for a period of 90 days. The engine is warranted by the manufacturer. The engine warranty can be found in the engine manual.

This warranty does not apply to any part, which in opinion of the seller, or manufacturer, was defective because of improper maintenance, improper assembly, alterations, abuse, negligence or accident.

Should warranty service be required on your MINI-Talon during the warranty period, please contact your nearest authorized dealer for repairs.

### **What is not covered under this warranty?**

Misuse, negligence, alterations, accidents or any abnormal use including non-Genuine parts, renting or leasing, competition or racing. This warranty does not cover loss of use of the unit or loss of time, inconvenience, or normal wear and deterioration caused by the use or storage of consumable items such as spark plugs, chains, brake shoes, fuses, clutch plates, sprockets, light bulbs, battery and tires.

The logo for Carter Brothers Manufacturing Co., Inc. features the word "Carter" in a bold, italicized, sans-serif font. The letter "C" is significantly larger and more stylized, with a thick horizontal bar extending from its base to the right, underlining the rest of the word.

**A Better Built Machine.**

Carter Brothers Manufacturing Co., Inc.  
1871 US Hwy 231  
Brundidge, AL 36010  
(P) 1-800-523-5278  
(F) 1-334-735-3500

## Contents

<b>Owners Manual</b>	<b>Page</b>
1. Foreword-----	3
2. Safety-----	4
3. Ready to Drive?-----	9
4. Operation-----	12
5. Adjustments-----	14
6. Periodic Checks and Services -----	18

<b>Parts Manual</b>	<b>Page</b>
1. Frame Group -----	22
2. Steering Shaft Assembly -----	24
3. Suspension Arm Assembly -----	26
4. Axle Section -----	28
5. Rear End -----	30
6. Wire Elec. Seat -----	32

Thank you for purchasing our MINI-Talon. We hope you will enjoy it. Before you operate the Mini-Talon, please read through this Owner's Manual carefully as it contains important safety and maintenance information. Failure to follow the warnings contained in this manual can result in serious injuries.

Be sure to follow the recommended maintenance schedule and service your MINI-Talon accordingly. Preventive maintenance is extremely important to the longevity of your MINI-Talon.

Beginners should seek instructions from your dealer or qualified instructors before and during initial use of the MINI-Talon. It is also recommended to practice in a large open area and to familiarize yourself with the operations of this MINI-Talon.

We hope you will have a pleasant experience with our products and thanks again for choosing our MINI-Talon.

## SAFETY

### *2.1 Notes to Parents*

We know that you, as parent, will have your youngster's safety foremost in mind. Serious injury can result from the improper use of MINI-Talons. Your youngster's safety will depend on you taking a "safety first" approach to MINI-Talon driving at all times. It is important to carefully read and follow the instructions and warnings contained in this manual and on the labels pasted on the MINI-Talon.

Once your youngster is ready to learn to drive, you must be familiar with this MINI-Talon. You will be serving as teacher, coach, and safety supervisor for your youngster. You must know the controls, handling characteristics, maintenance requirements, and proper driving techniques. Read and understand this manual and labels attached to this vehicle. You must supervise your youngster's operation of this MINI-Talon at all times and permit continual use only if you determine your youngster has the ability and judgement to operate this MINI-Talon safely.

Teaching your youngster MINI-Talon safety is a step-by-step process. It begins with safety rules and moves to actual driving procedures. Since youngsters learn at different rates, it is up to you to set the pace of your youngster's progress. At some point you may decide that he or she is not ready to drive this MINI-Talon.

Always closely supervise your youngster's driving. This is true even if your youngster has learned and mastered the rules and skills of safe MINI-Talon driving. Youngsters get tired and become careless easily. They do not always see everything that is important around them. Your close supervision and good judgement are a must.


Show your youngster how to use each control as you describe its action. Refer to this manual to learn control location and function before instructing your youngster. Test yourself by operating the controls. Have your youngster dress in proper protective gear and sit in the machine as you point out each control. It is important to have your youngster wear protective gear whenever sitting in this MINI-Talon.

### *2.2 Safety Introduction*

In order to keep everyone safe, you must take responsibility for the safe operation of your MINI-Talon.

To help you make informed decisions about safety, we have provided operating procedures and other information on labels and in this manual. This information alerts you to potential hazards that could hurt you or others. It is not practical or possible to warn you about all hazards associated with operating or maintaining a MINI-Talon. You must use your own good judgement. You will find important safety information in a variety of forms, including:

**Safety Labels** On the kart

**Safety Messages** Preceded by a safety alert symbol  and one of two signal words: **WARNING** or **CAUTION**

## SAFETY



Physical harm may result from failure to adhere to the instructions that are described within the WARNING labels.

This entire manual is filled with important safety information. Please read it carefully.

### ***2.3 Protective Gear***

To parents: MINI-Talon driving demands that your youngster wears proper protective gear. MINI-Talon drivers should **ALWAYS** wear a helmet, eye protection, gloves, long pants, a long-sleeved shirt or jacket, and over-the-ankle boots. Anything less is not adequate protection. **NEVER** let anyone drive a MINI-Talon without an approved helmet. Be sure it fits correctly. It should be snug but not tight. It must be properly fastened. Have your youngster wear safety gear whenever getting in a MINI-Talon. This action will stress the importance of safety gear and help to develop safe driving habits. Helmets and gloves can be purchased from your dealer. You can also purchase safety gear from Carter Brothers Manufacturing Co. by calling 800-523-5278 or visiting us at [www.carterbro.com](http://www.carterbro.com).

### ***2.4 Safety Information***

There is much that can be done to protect the operator of the MINI-Talon. You will find many helpful recommendations throughout this manual. The following are a few that we consider most important.

#### **Always Wear Protective Gear**

It's a proven fact that helmets significantly reduce the number and severity of head injuries. Always wear an approved motorcycle helmet, eye protection, sturdy boots, gloves, and other protective gear. Always fasten seat belts. Correctly fastened and adjusted seatbelts will protect the operator and passenger.

#### **Drive Off-Road Only**

Your MINI-Talon is designed and manufactured for off-road use only. The tires are not made for pavement. If you need to cross a paved or public road, get off and walk your MINI-Talon across.

#### **Do Not Operate This MINI-Talon at Night**

Darkness can greatly reduce a driver's visibility and judgement. Driving at night is dangerous and will increase the possibility of an accident

### **Never Run Your MINI-Talon Indoors**

The exhaust from the engine contains a tasteless, odorless, and poisonous gas called carbon monoxide.

## **SAFETY**

### **Keep Away From Moving Parts of the MINI-Talon**

No one should ever place their hands or other parts of their body near any moving part of the MINI-Talon. Failure to adhere to this warning will cause physical harm to your body.

### **Skidding or Sliding**

The terrain surface can be a major factor affecting turns. Skidding in a turn is more likely to occur on slippery surfaces such as snow, ice, mud, and loose gravel. If you skid, you may lose all directional control. To avoid skidding, keep your speed low and drive carefully.

### **Hold On to the Wheel**

Driving without holding onto the steering wheel is very hazardous.

Always drive at a **safe speed**, depending on the situation.

Driving down a slope too fast may result in the MINI-Talon overturning.

A wet road prolongs the stopping distance of your vehicle. Always take care that you only drive at a speed at which you are able to stop in time.

Going downhill at considerable speed may be achieved, requiring a longer breaking time.

Taking sharp turns at a high speed may also cause the MINI-Talon to overturn.

## ***2.5 Safety Labels***

This section presents some of the most important information and recommendations to help you drive your MINI-Talon safely. Please take a few moments to read the labels on your MINI-Talon. (Fig. 1)

The labels should be considered permanent parts of the MINI-Talon. If a label comes off or becomes hard to read, contact your dealer for warning label replacements.

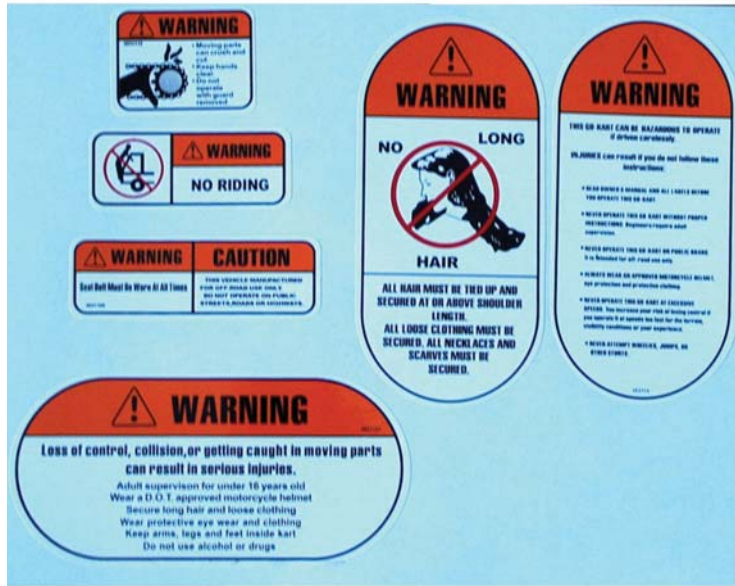



Fig. 1

**SAFETY**

**2.6 Safe Driving Precautions**

**Off- Road Use Only**

The MINI-Talon and its tires are designed and manufactured for off-road use only and not for pavement use. Driving on pavement can cause poor handling and control. Your youngster should not drive the MINI-Talon on pavement.


**WARNING**

Operating this MINI-Talon on paved surfaces may seriously reduce effective handling and control of the MINI-Talon, and may cause the kart to go out of control. Never operate the MINI-Talon on any paved surfaces, including sidewalks, driveways, parking lots, and streets.

When driving off-road, remember to always obey local off-road driving laws and regulations. Obtain permissions to drive on private property. Avoid restricted areas and obey “no trespassing” signs.

**Keep Hands and Feet on Controls**

Feet must stay on the foot pedals at all times and hands must stay on the steering wheel. **Be sure to stress this important rule.** It is important to maintain balance and to control the MINI-Talon. Removing hands or feet away from the controls can reduce your ability to react and control the MINI-Talon.



### **WARNING**

**Removing hands from Steering wheel or feet from foot controls during operation can reduce your ability to control the MINI-Talon or could cause you to lose your balance and fall off the MINI-Talon. Always keep both hands on the steering wheel and both feet on the foot controls of your MINI-Talon during operation.**

### **Hot Components**

Show your youngster the engine, exhaust pipe, and muffler. Tell him or her not to touch these parts because they are hot. Explain that they will remain hot after the engine is stopped. Also explain that hands and feet must be kept away from all moving parts of the MINI-Talon.

### **Inspection**

Your youngster's safety depends in part on the condition of the MINI-Talon. Be sure to inspect it before each use. Starting and refueling of the vehicle should only be done by responsible adults. Follow a regular maintenance program.

## **SAFETY**

### **Adult Supervision**

Even after young drivers have learned the basic driving skills, direct supervision by an experienced adult is necessary **AT ALL TIMES**. Make sure that all MINI-Talon users under your supervision get proper driving instructions. Follow safety precautions strictly to provide a "safety first" approach to MINI-Talon driving. Teaching your youngster how to drive the MINI-Talon safely will increase the enjoyment of MINI-Talon.

### **Control Speed**

Driving at excessive speed increases the chance of an accident. In choosing a proper speed, you need to consider the capability of your MINI-Talon, the terrain, visibility and other operating conditions, plus operator skills and experience.



### **WARNING**

**Operating this MINI-Talon at excessive speed increases your chances of losing control of the MINI-Talon, which can result in an accident. Always drive at a speed that is proper for your MINI-Talon. Your speed will be affected by the terrain, visibility and other operating conditions, and your experience.**

### **Use Care on Unfamiliar or Rough Terrain**

Before letting your youngster drive in a new area, always check the terrain thoroughly. Don't let them drive fast on unfamiliar terrain or when visibility is limited. Watch out for obstructions like hidden rocks, bumps, or holes.

**WARNING**

Failure to use care when operating this MINI-Talon on unfamiliar terrain could result in the MINI-Talon overturning or going out of control. Go slowly and be extra careful when operating on unfamiliar terrain. Always be alert to changing terrain conditions when operating the MINI-Talon.

Never let your youngster drive past the limit of visibility. Maintain a safe distance between their MINI-Talon and other off-road vehicles. Always exercise caution and use extra care on rough, slippery, and loose terrain.

## Ready to Drive?

**WARNING**

Failure to use extra care when operating on excessively rough, slippery, or loose terrain could cause loss of traction or vehicle control, which could result in an accident, including an overturn. Do not operate on excessively rough, slippery, or loose terrain until you have learned and practiced the skills necessary to control the MINI-Talon on such terrain. Always be especially cautious on these kinds of terrain.

### Do Not Perform Stunts

Your youngster should always operate their MINI-Talon in a safe and reasonable manner. When driving, they should always keep all four wheels on the ground.

**WARNING**

Attempting wheelies, jumps, and other stunts increases the chance of an accident, including an overturn. Never attempt stunts, such as wheelies or jumps.

Before the MINI-Talon is driven for the first time, we urge you to:

- ◆ Read this owner's manual and the labels on your MINI-Talon carefully.
- ◆ Make sure you understand all the safety messages.
- ◆ Know how to operate all the controls and insure your youngster has been taught and understands how to operate all the controls.

- ◆ Before each drive, be sure your youngster:
  - ✓ Wears their seat belts at all times while driving, or sitting in, the MINI-Talon.
  - ✓ Feels well and is in good physical and mental condition.
  - ✓ Is wearing an approved motorcycle helmet (with chinstrap tightened securely), eye protection, and other protective clothing.
  - ✓ Do not have any alcohol or drugs in their system.



**WARNING**

Operating this MINI-Talon without wearing an approved motorcycle helmet, eye protection, and protective clothing could increase your chances of head and/or eye injury. Always wear an approved motorcycle helmet that fits properly and wear eye protection (goggles or face shield), gloves, boots, long sleeved shirt or jacket and long pants. Driver and passenger must always fasten seat belts.

## Ready to Drive?



**WARNING**

Operating this MINI-Talon without correctly fastening your seat belt could cause you to be thrown from the vehicle.

To parents: One indicator that youngsters are ready to drive a MINI-Talon is when they show a safety-conscious attitude and are aware of the dangers of MINI-Talon operation. If the youngster has a habit of rashness or is involved in accidents often while using a bicycle or skateboard, the youngster is not ready to drive this MINI-Talon.

A. The following questions can help parents further pinpoint whether youngster is ready to drive:

1. Can youngster place his or her feet firmly, easily on the foot pedal?
2. Can youngster's hands reach the steering wheel comfortably? Can your youngster operate the steering wheel?
3. Can youngster push the brake foot pedal brake downward with enough strength to stop the kart?
4. Does your youngster understand the controls of the MINI-Talon?

B. PRE-DRIVE INSPECTION (to Parents)

Before you continue:

1. Have you determined your youngster's readiness to drive this MINI-Talon? Do not let your youngster drive if you have any doubt.
2. Have you read this manual and reviewed it with your youngster?
3. Have you inspected the vehicle and maintained it accordingly?

4. Is your youngster wearing the proper protective gear?
5. Has your youngster learned to locate the MINI-Talon controls without help?
6. Does he or she know how to operate the controls smoothly?
7. Does your youngster understand he or she must always drive off-road?
8. Have you stressed to your youngster the importance of keeping his or her feet on the foot pedals and their hands on the steering wheel?

C. Practice area (to parents)

The best place for learning is a level area 100' x 200' that is free from obstacles such as rocks, stumps, or holes. The learning area may have a loose or hard dirt surface. A grassy surface is also acceptable. It should not have two different surfaces. Be sure there is enough room to maneuver, and that no other people or obstacles are close by.

D. Getting used to the vehicle in motion (to parents)

Be sure your youngster is wearing all of the proper protective gear. With the engines still OFF, have your youngster sit in the MINI-Talon. Physically push the vehicle slowly. Practice this several times until you are sure your youngster's driving skill is developed. Remind your youngster to keep his or her head up and look forward and to keep both feet on foot pedals.

### **Ready to Drive?**

With the engine off, have your youngster practice smoothly moving the foot pedal throttle control. Your youngster will learn how much pressure it takes to start moving in a later exercise. Explain that pushing the throttle will increase speed. Releasing the throttle and applying the brake will slow the kart down. Ask your youngster to tell you how throttle control and braking affect kart's speed.

With MINI-Talon stopped, and engine OFF, have your youngster look in the direction of the turn and turn steering wheel in the direction of the turn. Repeat this exercise while you are slowly pushing your youngster on the MINI-Talon. Make sure he or she can turn the vehicle in both directions using this technique.

### **Pre-Drive Inspection**

Check the following items before you allow anyone on the MINI-Talon:

#### **Engine Oil**

Check the level and add oil if needed. Check for leaks.

#### **Fuel**

Check the level and add fuel if needed. Also make sure the fuel cap is securely fastened. Check for leaks.

#### **Tires**

Use a gauge to check the air pressure. Adjust if needed. Also look for signs of damages and excessive wear.

### **Nuts and Bolts**

Check the wheels to see that the axle nuts are tight. Use a wrench to make sure all accessible nuts, bolts, and fasteners are tight.

### **Underbody & Exhaust System**

Check for and remove any dirt, vegetation, or other debris that could be a fire hazard or interfere with the proper operation of the MINI-Talon.

### **Seat Belt**

Make sure seat belt locking mechanism is working.

## **OPERATION**

### **A. Operation controls**



### **WARNING**

Do not attempt to start or operate the engine until completely familiar with the location and use of each control necessary to operate this vehicle. Your youngster must know how to stop this machine before starting and driving it.

Steering Wheel      Horn Button      Not Used      Kill Button      Key Switch



Brake Pedal

Throttle Pedal

**Fig.2**

**a. Throttle**

The right foot pedal is the throttle that controls the MINI-Talon speed. As the engine speed increases above idle, the vehicle moves forward.



**WARNING**

Each time, prior to starting the engine, check the throttle and brake to ensure that when the pedals are pushed all the way forward the assembly is working smoothly and returns when released. Do not operate if pedals fail to return. If unable to correct the problem through lubrication, adjustment, or replacement of worn parts, contact your dealer for assistance.

**OPERATION**



**WARNING**

When starting your MINI-Talon the kart should never “buck” or move forward. As the rope is pulled to start the engine, the inertia wheel spins. If the kart moves or pulls forward as the rope start is pulled, the rubber-molded disc is making contact with the inertia wheel and must be correctly adjusted prior to operation. If you are unable to adjust, or feel uncomfortable performing the adjustment, contact your dealer for assistance.

**b. Brake**

The brake is located on the left side of the MINI-Talon. Applying pressure to the pedal pulls the caliper to the brake disc and slows or stops the kart.



**WARNING**

Prior to starting the engine, push the kart forward then apply the brake. If the kart does not stop, the brake is not adjusted correctly. Adjust the brake for correct operation prior to using the MINI-Talon. If you are unable to adjust, or feel uncomfortable performing the adjustment, contact your dealer for assistance.

c. Start the engine in accordance with the engine manual.

## ADJUSTMENTS

### Checking For Correct Operation of the Throttle (Fig. 3-1 and 3-2)

With no pressure on the throttle pedal, there should be approximately 1/16" of space between the rubber molded disc (A) and the inertia wheel (B). When the throttle pedal is depressed, the throttle cable (C) pulls the throttle actuating arm (D) up causing the rubber molded disc (A) to make contact with the inertia wheel (B).

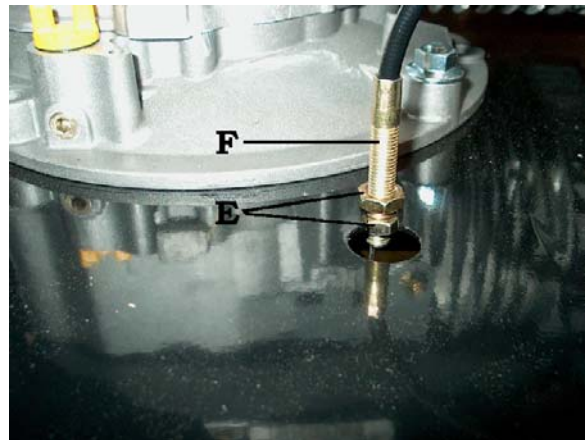


Fig. 3-1

### Adjusting the Throttle Cable (Fig. 3-1 and 3-2)

Remove the bottom cover of the rear end. Loosen the throttle cable retaining nuts (E). Insure that the throttle cable (C) is attached to the throttle actuating arm (D) as shown. Adjust the position of the throttle cable sleeve (F) so that, with no pressure on the throttle pedal, there is 1/16" of space between the rubber molded disc (A) and the inertia wheel (B). Tighten the throttle cable retaining nuts (E). Check to insure there is a 1/16" of space between the rubber molded disc (A) and the inertia wheel (B). Remove the bottom cover of the rear end.

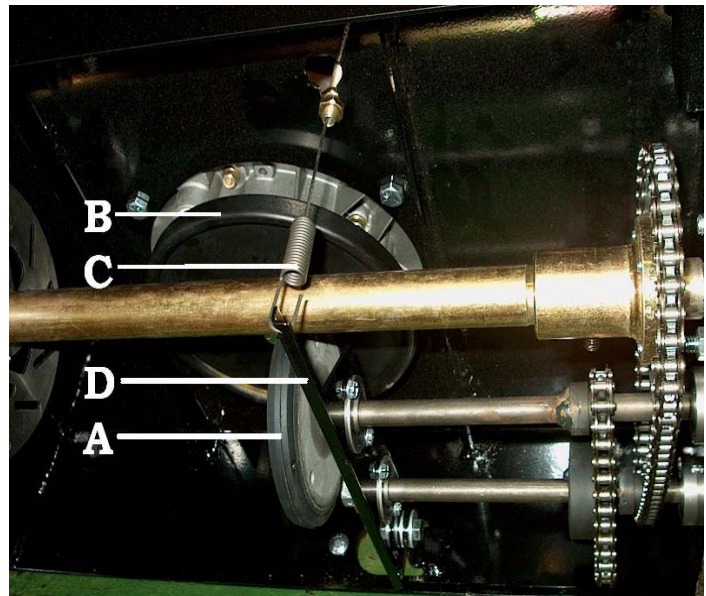


Fig. 3-2



**WARNING**

When starting your MINI-Talon the kart should never “buck” or move forward. As the rope is pulled to start the engine, the inertia wheel spins. If the kart moves or pulls forward as the rope start is pulled, the rubber-molded disc is making contact with the inertia wheel and must be correctly adjusted prior to operation. If you are unable to adjust, or feel uncomfortable performing the adjustment, contact your dealer for assistance.

**ADJUSTMENTS**

**Adjusting the Brake Cable**

Fig. (4-1) depicts the brake caliper with the brake cable correctly installed. The brake cable sleeve (A) must fit inside the keeper (B) as shown.

Remove the bottom cover of the rear end. With a #5 Metric Allen head, loosen the brake cable retaining bolt (C). Push up on the brake actuator (D) as shown (Fig. 4-2) and pull the brake cable (E) until it is tight. While maintaining pressure on the actuator, tighten the cable retainer bolt (C).

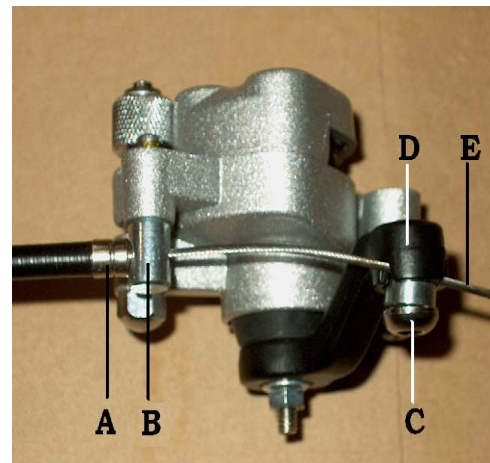


Fig. 4-1



**WARNING**

Prior to starting the engine, push the kart forward then apply the brake. If the kart does not stop, the brake is not adjusted correctly. Adjust the brake for correct operation prior to using the MINI-Talon. If you are unable to adjust, or feel uncomfortable performing the adjustment, contact your dealer for assistance.

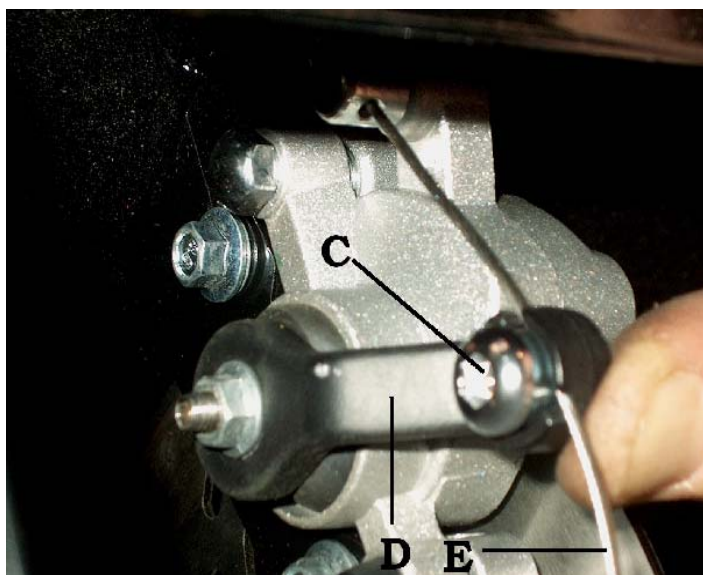


Fig. 4-2

## ADJUSTMENTS

### Adjusting the Foot Pedals

This MINI-Talon has been made with foot pedals that can be moved depending on the size of your child. First remove the bolts (A) and (D) (Figure 5-1 and 5-2). Once you have done this, you are able to move the cable holder and the pedal rod with the pedals together. There is only one bolt that holds the pedal rod in place. On the brake pedal side there is a slot for the pedal rod to fit into, once you have picked out the holes for the new setting, just slide the pedal rod and cable holder together and fasten all bolts and nuts. Remember not to take pedals off the rod. By doing so the spring may come loose. Make sure after you have done the adjustments, the pedals are working and will return to their original position.



Fig. 5-1



Fig. 5-2

### Adjusting Front Wheel Alignment

- a. The front wheels should be “toe-in” from 1/8” to 1/4”. To check for alignment, measure distance A and B (Fig. 6-1) between the centerline of the wheels. The proper toe-in dimension “A” should be 1/8” to 1/4” greater than dimension “B”.
- b. To adjust the alignment, loosen the lock nuts (C) on both sides of Front Tie Rods (D). (Fig. 6-2 And 6-3) To make dimension B smaller, turn the rod to the left. Adjust the rod to right direction to make dimension B larger. After adjusting to the desired length, tighten the lock against the rod end. Recheck the dimensions for proper alignment.

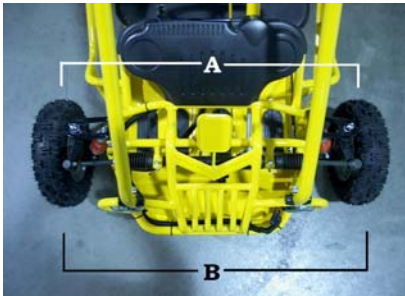


Fig. 6-1



Fig. 6-2

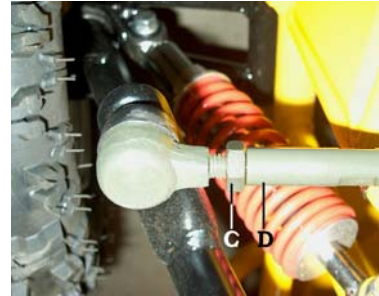
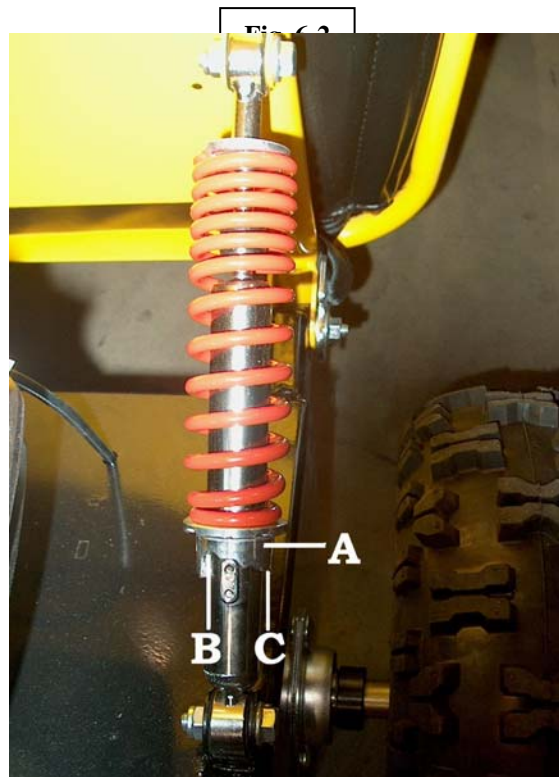


Fig.6-3

## ADJUSTMENTS

### Adjusting the Shocks

Changing the settings of all shocks from hard to soft: With a pair of vice grips or channel locks, turn the adjustment knob (A) to the right to decrease stiffness and to the left to stiffen or increase stiffness. Point (B) is the softest setting and point (C) is the hardest setting.



**Fig. 7-1**

## **PERIODIC CHECKS AND SERVICES**

The maintenance intervals in the following table are based upon average driving conditions. Driving in unusually dusty areas require more frequent servicing.

<b>Items</b>	<b>Prior to Each use</b>	<b>Monthly</b>	<b>Quarterly</b>	<b>Yearly</b>
<b>Tire pressure/wear</b>	I			
<b>Brake Performance</b>	I			
<b>Tightness of</b>	I			
<b>Air Cleaner</b>		C		R
<b>Drive Chain</b>	I	C,L		
<b>Brake Pad</b>	I			R
<b>Chassis</b>	I	C,I	L	
<b>Fuel tank</b>	I			
<b>Battery</b>		I		

**A:** adjust    **C:** clean    **I:** inspect, clean , adjust, replace if necessary    **L:** lubricate  
**R:** replace

**Engine should be maintained in accordance with the engine manual.**



This page intentionally left blank.

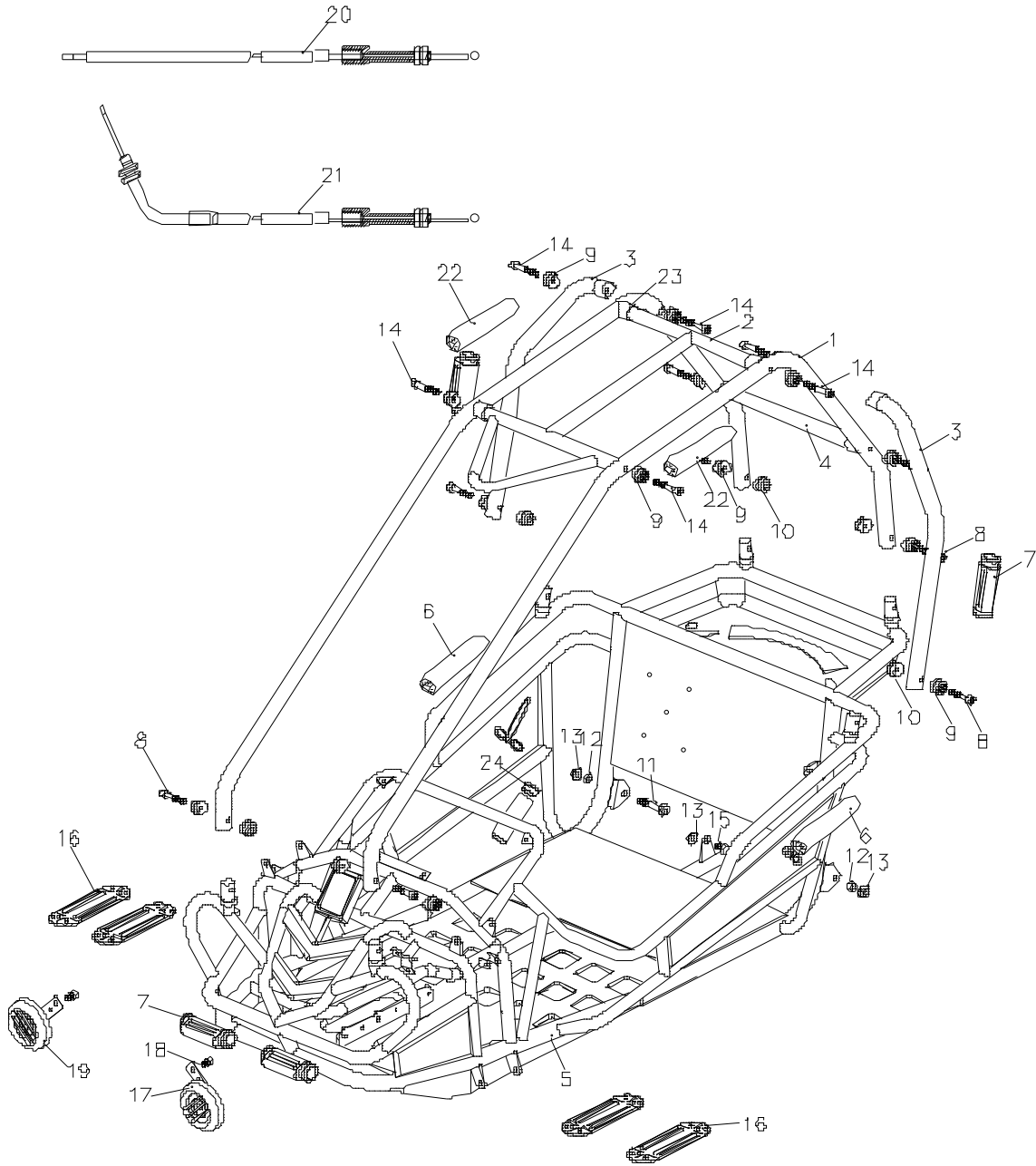
## **PARTS MANUAL**

**Your dealer can provide technical assistance.  
You may also contact us.**

**Carter Brothers Manufacturing Co., Inc.  
1871 US Hwy 231  
Brundidge, AL 36010**

**Phone: 1-800-523-5278  
Fax: 1-334-735-3500  
Parts Fax: 1-800-240-3501**

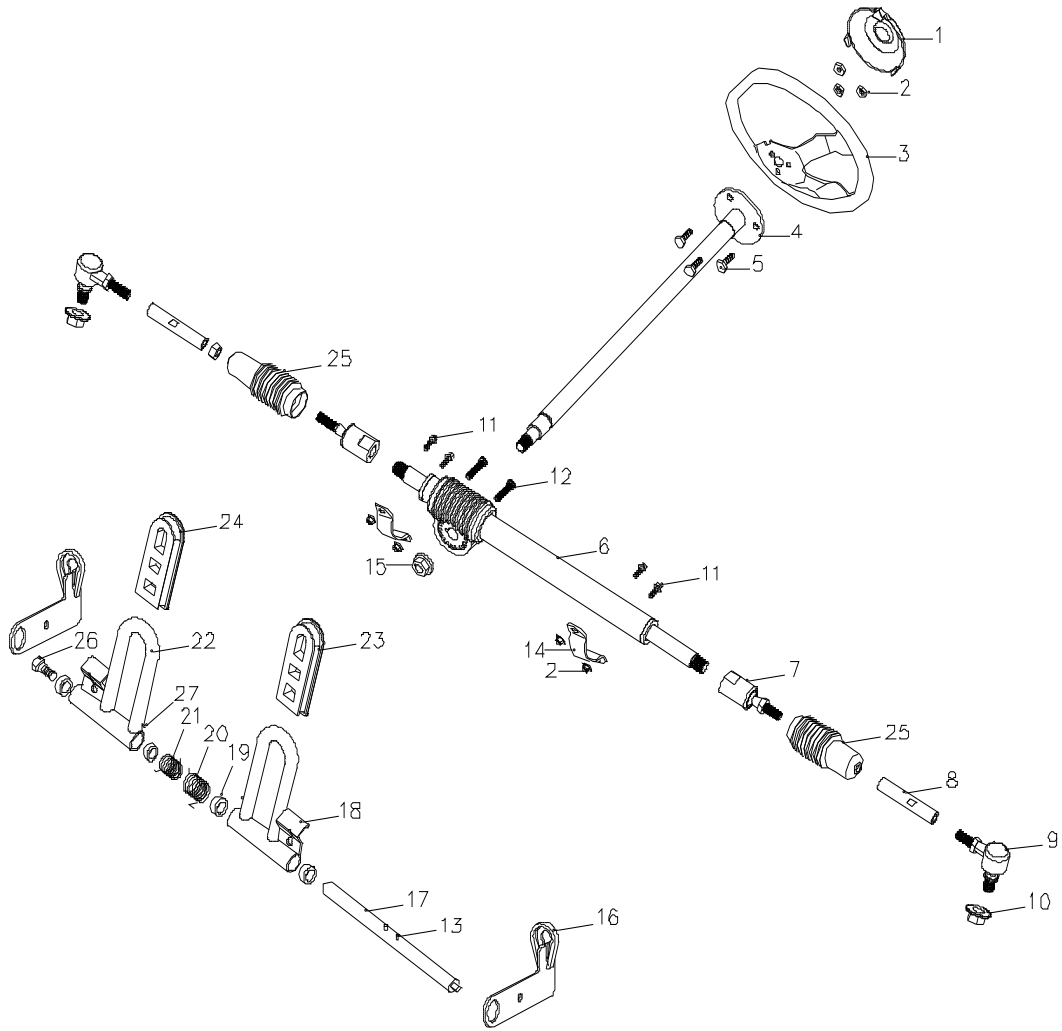
**[www.carterbro.com](http://www.carterbro.com)**



FRAME GROUP  
FIGURE 8

## FRAME GROUP

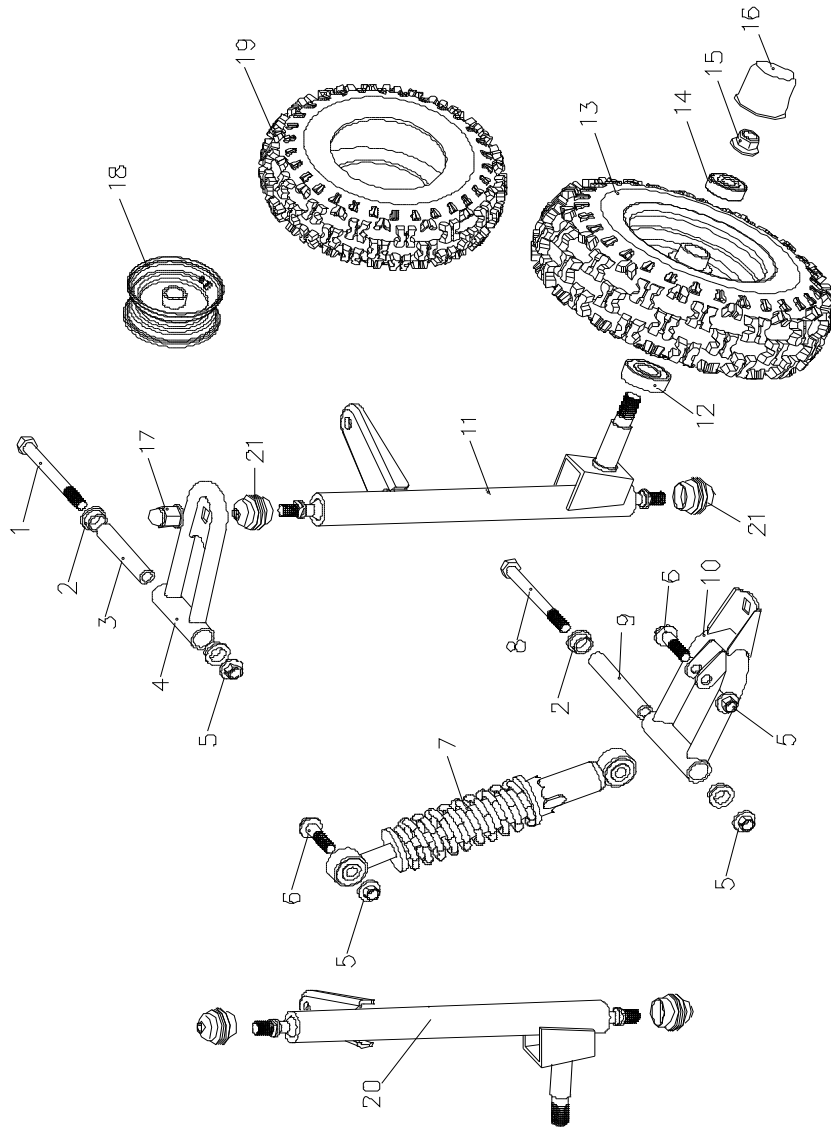
REF NO	PART NO		DESCRIPTION	REQD NO
1	5121019	8.070.045	CUSTOM BAR CAGE (BLUE)	2
1	5122019	8.070.045	CUSTOM BAR CAGE (YELLOW)	2
1	5123019	8.070.045	CUSTOM BAR CAGE (RED)	2
1	5124019	8.070.045	CUSTOM BAR CAGE (SILVER)	2
2	5121020	6.000.194	CUSTOM CROSS BAR TOP FR (BLUE)	1
2	5122020	6.000.194	CUSTOM CROSS BAR TOP FR (YELLOW)	1
2	5123020	6.000.194	CUSTOM CROSS BAR TOP FR (RED)	1
2	5124020	6.000.194	CUSTOM CROSS BAR TOP FR (SILVER)	1
3	5121021	8.070.046	CUSTOM J-BAR, L.R. SIDE (BLUE)	2
3	5122021	8.070.046	CUSTOM J-BAR, L.R. SIDE (YELLOW)	2
3	5123021	8.070.046	CUSTOM J-BAR, L.R. SIDE (RED)	2
3	5124021	8.070.046	CUSTOM J-BAR, L.R. SIDE (SILVER)	2
4	5121022	8.080.041	CUSTOM CROSS BAR, R.R. (BLUE)	1
4	5122022	8.080.041	CUSTOM CROSS BAR, R.R. (YELLOW)	1
4	5123022	8.080.041	CUSTOM CROSS BAR, R.R. (RED)	1
4	5124022	8.080.041	CUSTOM CROSS BAR, R.R. (SILVER)	1
5	5500310	2.000.037	FRAME COMP. (BLUE)	1
5	5500320	2.000.037	FRAME COMP. (YELLOW)	1
5	5500330	2.000.037	FRAME COMP. (RED)	1
5	5500340	2.000.037	FRAME COMP. (SILVER)	1
6	5512503	6.000.189	FOAM PADDING - 22	2
7	5572001	7.020.048	RUBBER PROTECTOR	4
8	5002505	9.129.840	ALLEN HEAD BOLT M8 X 1.25 X 40	6
9	5001046	7.010.049	ROLL CAGE WASHER, CAP M8	14
10	5001047	7.010.050	ROLL CAGE NUT, CAP M8	6
11	5002504	9.110.050	FLANGE BOLT M10 X 1.25 X 50	2
12	5003003	9.200.010	NUT, M10	2
13	5003014	9.220.010	LOCKING FLANGE NUT, M10	3
14	5002506	9.129.850	ALLEN HEAD NUT M8 X 1.25 X 50	8
15	5002507	9.110.016	FLANGE BOLT M10 X 1.25 X 16	1
16	5512504	7.020.045	RUBBER FOOT PLATE	4
17	5092503	6.000.174	HORN , H	1
18	5002508	9.108.010	FLANGE BOLT M10 X 1.25 X 10	2
19	5092504	6.000.175	HORN, L	1
20	5373301		THROTTLE CABLE COMP	1
21	5302503	6.000.133	BRAKE CABLE COMP	1
22	5512505	6.000.190	FOAM PADDING - 30	2
23	5002509	7.010.045	CUSTOM BAR CAGE CAP	8
24	5363020	7.010.006	STEERING SHAFT BUSH	1



STEERING SHAFT ASSY  
FIGURE 9

## STEERING SHAFT ASSEMBLY

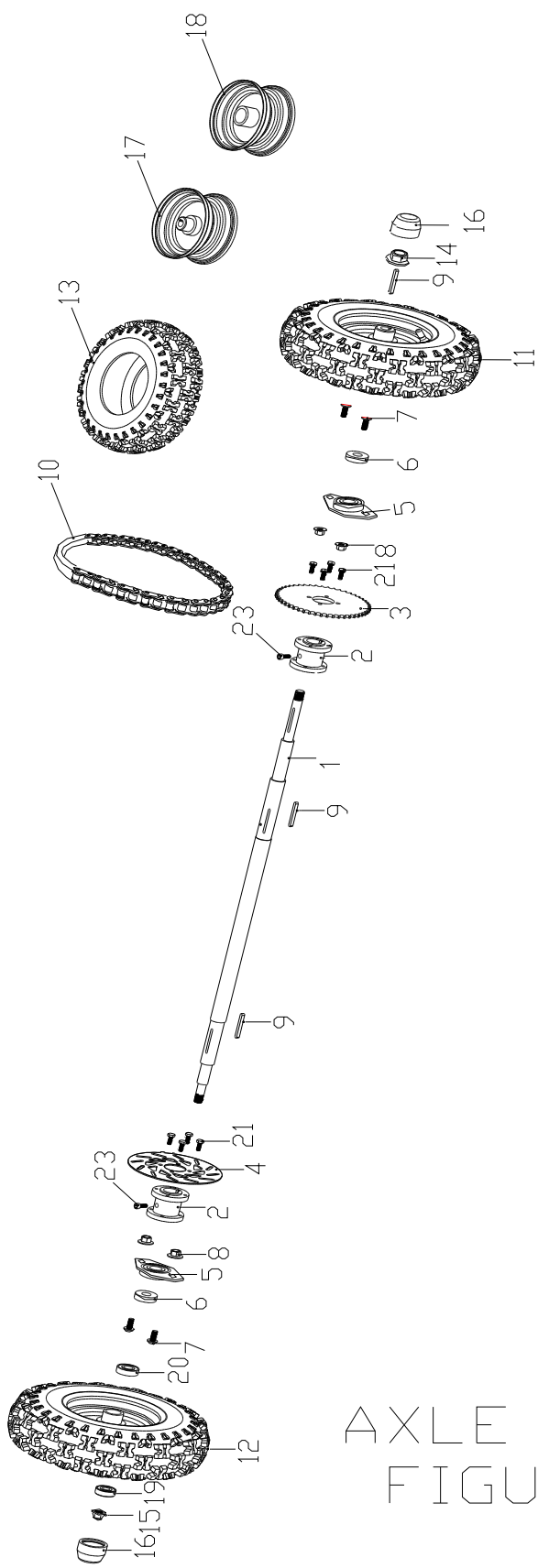
REF NO	PART NO		DESCRIPTION	REQD NO
1	5362506	7.010.056	STEERING BOLT COVER	1
2	5003019	9.210.006	LOCKING NYLON NUT M6	7
3	5362503	7.020.057	STEERING WHEEL	1
4	5362504	4.000.023	STEERING- SHAFT	1
5	5002505	9.100.616	BOLT M6 X 16	3
6	5362505	4.000.024	STEERING GEAR	1
7	5362507	6.000.180	STEERING BALL JOINT	2
8	5242503	8.010.135	TIE ROD	2
9	5242504	6.000.181	ROD END	2
10	5003039	9.210.008	LOCKING NYLON NUT M8	2
11	5001319	9.106.020	FLANGE BOLT, M6 X 20	4
12	5002510	9.100.512	BOLT , M5 X 12	2
13	5002511	9.500.008	ROLL PIN M3 X 20	2
14	5362508	8.020.130	STEERING GEAR BRACKET (BLUE)	2
14	5362528	8.020.130	STEERING GEAR BRACKET (YELLOW)	2
14	5362538	8.020.130	STEERING GEAR BRACKET (RED)	2
14	5362548	8.020.130	STEERING GEAR BRACKET (SILVER)	2
15	5003006	9.220.012	LOCKING FLANGE NUT M12	1
16	5522503	8.020.144	PEDAL BRACKET (BLUE)	2
16	5522523	8.020.144	PEDAL BRACKET (YELLOW)	2
16	5522533	8.020.144	PEDAL BRACKET (RED)	2
16	5522543	8.020.144	PEDAL BRACKET (SILVER)	2
17	5522504	8.010.103	PEDAL BOLT	1
18	5522505	4.000.025	BRAKE PEDAL COMP	1
19	5363014	7.010.003	PEDAL BUSH	4
20	5522506	8.040.011	BRAKE PEDAL RETURN SPRING, R	1
21	5582504	8.040.010	THROTTLE PEDAL RETURN SPRING, L	1
22	5582506	4.000.026	THROTTLE PEDAL COMP	1
23	5522507	7.020.043	RED BRAKE PEDAL PAD	1
24	5582507	7.020.044	GREEN THROTTLE PEDAL PAD	1
25	5372503	7.020.059	STEERING BALL JOINT DUST COVER	2
26	5002512	9.129.816	ALLEN HEAD BOLT M8 X 1.25 X 16	1
27	5002513	9.500.007	ROLL PIN M3 X 16	2



SUSPENSION ARM ASSY  
FIGURE 10

## SUSPENSION ARM ASSEMBLY

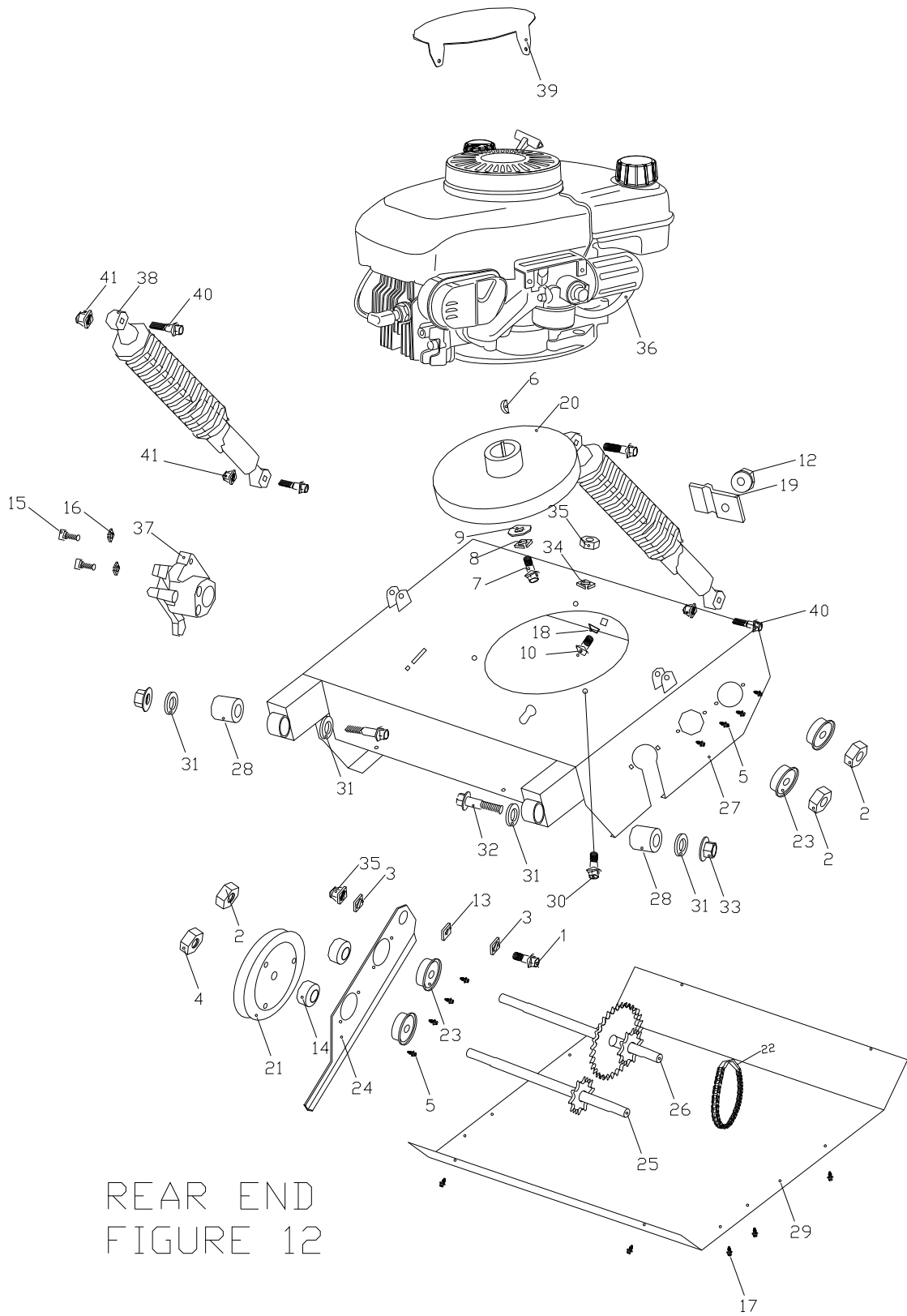
REF NO	PART NO		DESCRIPTION	REQD NO
1	5002514	9.108.095	FLANGE BOLT M8 X 1.25 X 95	2
2	5363014	7.010.003	UPPER SUSPENSION ARM BUSH	8
3	5362509	8.010.104	UPPER SUSPENSION ARM COLLAR	2
4	5362510	4.000.020	UPPER SUSPENSION ARM	2
5	5001043	9.220.008	LOCKING FLANGE NYLON NUT M8	8
6	5001080	9.108.030	FLANGE BOLT M8 X 1.25 X 30	4
7	5532503	6.000.172	CUSHION ASS'Y. FR	2
8	5002515	9.108.100	FLANGE BOLT M8 X 1.25 X 100	2
9	5362511	8.010.015	LOWER SUSPENSION ARM COLLAR	2
10	5362512	4.000.021	LOWER SUSPENSION ARM ASS'Y	2
11	5212503	2.000.031	SPINDLE AND STRUT SUPPORT, R	1
12	5222503	9.030.010	BEARING 6202	2
13	5182503	6.000.169	FRONT WHEEL ASS'Y	2
14	5222504	9.030.009	BEARING 6201	2
15	5003006	9.220.012	LOCKING FLANGE NUT M12	2
16	5203004	7.020.039	HUB COVER FR	2
17	5002516	8.010.141	ACORN NUT M10	2
18	5192503	6.000.182	RIM, FR	2
19	5162503	6.000.169	TIRE, FR 4.1-6	2
20	5212504	2.000.032	SPINDLE AND STRUT SUPPORT, L	1
21	5372504	7.020.061	BALL HEAD DUST SEAL	4



AXLE SECTION  
FIGURE 11

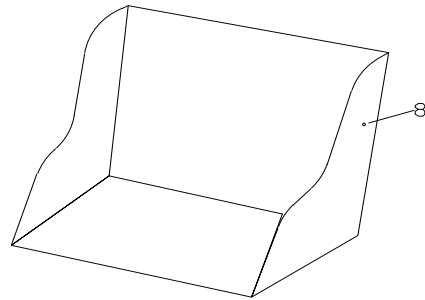
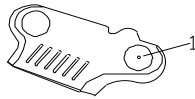
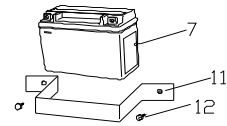
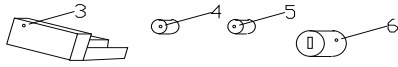
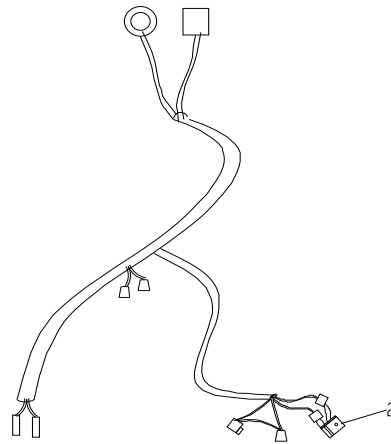
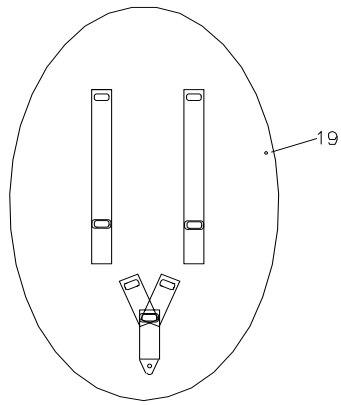
## AXLE

REF NO	PART NO		DESCRIPTION	REQD NO
1	5272503		AXLE	1
2	5202503		HUB	2
3	5232503		DRIVE SPROCKET	1
4	5522508		BRAKE DISK	1
5	3221001		LUTCO BEARING 20MM w/FLANGE	2
6	3221009		ECCENTRIC LOCK COLLAR (SE20K)	2
7	F245		BOLT CARRRIAGE 5/16"18 X 3/4" NC	4
8	F1017		NUT FLANGE LOCK 5/16" WHIZ	5
9	5002517		PARALLEL FLAT KEY A M5X50	3
10	3311105		CHAIN #35-58 PITCHS	1
11	5183014	6.000.171	WHEEL RR KEYED	1
12	5183013	6.000.170	WHEEL RR W BEARINGS	1
13	5162504		TIRE 13X500-6	2
14	5001037	9.800.016	M16 NUT,CASTLE	1
15	5001088	9.800.012	M12 NUT,CASTLE	1
16	5203004	7.020.039	HUB COVER,	2
17	5192504	6.000.183	RIM KEYED	1
18	5192505	6.000.198	RIM BEARING	1
19	5222504	9.030.009	BEARING,6201	1
20	5222503	9.030.010	BEARING,6202	1
21	5001112	9.106.016	BOLT M6X16	8
22	5001086	9.400.006	LOCK WASHER M6	8
23	5001115		SET SCREW - MT HUB	4



## REAR END

REF NO	PART NO	DESCRIPTION	REQD NO
1	F110	HEX BOLT 5/16" X 3/4" NC	1
2	3001549	CENTER LOCK NUT 7/16"	3
3	F422	FLAT WASHER 5/16"	2
4	3001550	NUT, 7/16"	1
5	3001548	TAP SCREW 10/24 X 1/4"	8
6	3001551	WOODRUFF KEY #6	1
7	3001552	CAP SCREW 7/16" X 1" NF	1
8	F412	LOCK WASHER 7/16"	1
9	F424	WASHER USS 3/8	1
10	3001554	BOLT CARRRIAGE 1/4" X 3/4" NC	1
11	F404	LOCK WASHER 1/4"	1
12	3001069	WHIZ NUT 1/4" NC	1
13	3451459	MFG BUSHING PIVOT 5/8"OD X.328"ID	1
14	3451460	MFG SPACER 1"OD X.455(+/- .005)"ID	2
15	5001306	9.100.616 BOLT M6X16	2
16	5001086	9.400.006 LOCK WASHER M6	2
17	3002012	SCREW, 10X3/8 HEX TYA	10
18	3009009	PUSH RETAINER 5/16" EXT	4
19	3402004	FLAG POLE BRACKET	1
20	3391112	INERTIA DISK	1
21	3391113	MOLDED RUBBER DISK	1
22	3311103	CHAIN #35-38 PITCHS	1
23	3221107	BEARING 1 3/8" X 7/16"	4
24	3402284	BEARING BRACKET BLACK	1
25	3441010	SUB PRIMARY SHAFT	1
26	3441011	SUB REDUCTION SHAFT	1
27	3502500	FRAME PAINTED ENGINE MT	1
28	3452658	BUSHING REAR END MT	1
29	3372660	BELLY GUARD BLACK	1
30	F116	ENGINE MT BOLTS 5/16 x 1 1/4	3
31	F1003	3/8" SAE FLAT WASHER	4
32	5003004	9.108.050 REAR END MT BOLTS M8 X 50	2
33	5001073	9.200.008 NUT M8	2
34	F422	5/16 FLAT WASHER	2
35	F1017	5/16 NUT ,WHIZ	3
36	3130147	ENGINE. 3.5 HP TECUMSEH	1
37	5523017	6.000.178 CALIPER ASSY	1
38	5532504	6.000.173 SHOCK REAR	2
39	3372661	ENGINE GUARD	1
40	5001080	9.108.030 FLANGE BOLT M8 X 1.25-30	4
41	5003039	9.210.008 NYLON LOCK NUT M8	4



WIRE ELEC SEAT  
FIGURE 13

## WIRE ELEC SEAT

REF NO	PART NO	DESCRIPTION	REQD NO
1	5371002	SWTICH PANEL COVER	1
2	3092501	WIRE HARNESS	1
3	5091023	HORN BUTTON	1
4	5091024	ENGINE STAT BUTTON (NOT USED)	1
5	5091021	ENGINE KILL BUTTON	1
6	5091022	KEY SWITCH W/ KEY	1
7	3092502	BATTERY 12V	1
8	5351004	SEAT	1
9	5351005	SEAT BELT ASSEMBLY	1
11	3092507	BATTERY BRKT	1
12	3003701	SCREW, 10 X 1/2 HEX TYPE 2	2

This page intentionally left blank.