



150CC ARROW SCOOTER

MODEL #1502 PARTS MANUAL

A.C.E. SPORTS

1305-A S. BRUNDIDGE ST, SUITE #138 | TROY, AL 36081
P: 888.562.9ACE, F: 888.562.8ACE | WWW.ACESPORTSONLINE.COM



PREFACE

Thank you for your purchase. We hope you enjoy your new scooter. Following are the part descriptions for your scooter. As technology changes and advances, some parts may vary from those written in this manual. We have the right to change any part without notice.

A.C.E. Sports



INDEX TO ENGINEER GROUP

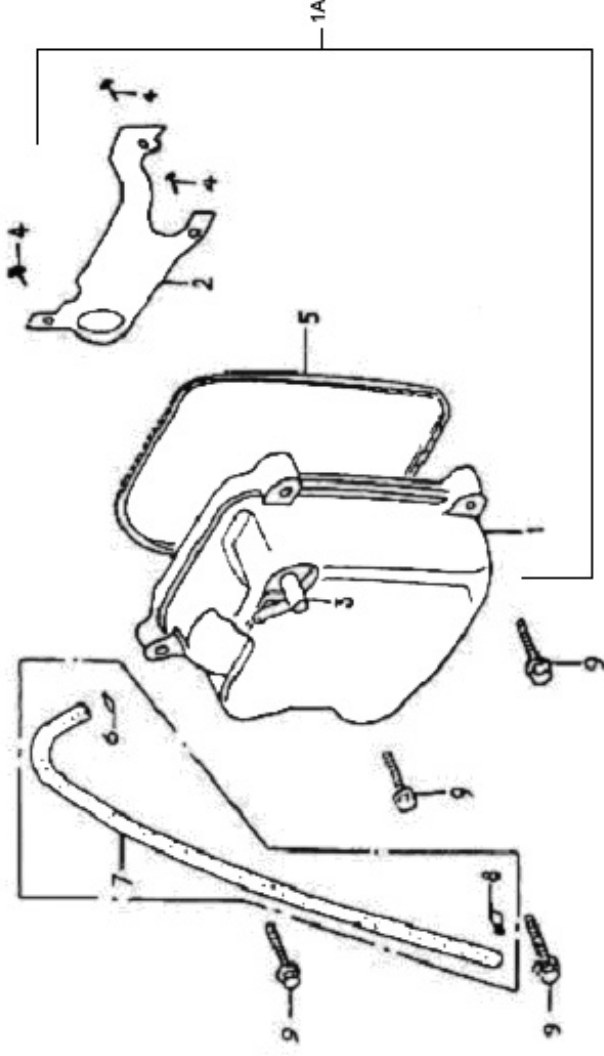
E-01	Cylinder Head Cover
E-02	Cylinder Head
E-03	Cylinder
E-04	Carburetor
E-05	Crankshaft – Connecting Rod – Piston
E-06	Crankcase – L
E-07	Left Crankcase Cover
E-08	Crankcase – R
E-09	Right Crankcase Cover
E-10	Transmission
E-11	A.C. Generator
E-12	Starting Motor
E-13	Oil Pump
E-14	Fan Cover – Shroud

INDEX TO FRAME GROUP

F-01	Headlight	F-15	Seat Cushion
F-02	Meter	F-16	Fuel Tank
F-03	Switches	F-17	Battery
F-04	Front Brake Master Cylinder	F-18	Air Cleaner
F-05	Steering Handle	F-19	Exhaust Muffler
F-06	Front Cover	F-20	Stand
F-07	Front Luggage Compartment	F-21	Rear Cushion
F-08	Floor Panel	F-22	Rear Fender
F-09	Luggage Case & Rear Cover	F-23	Turn Signals
F-10	Front Fork	F-24	Tail Light
F-11	Front Brake Caliper	F-25	Wire Harness
F-12	Front Wheel	F-26	Frame Body
F-13	Carrier Plate	F-27	Tool Set
F-14	Rear Wheel	F-28	Scooter Labels

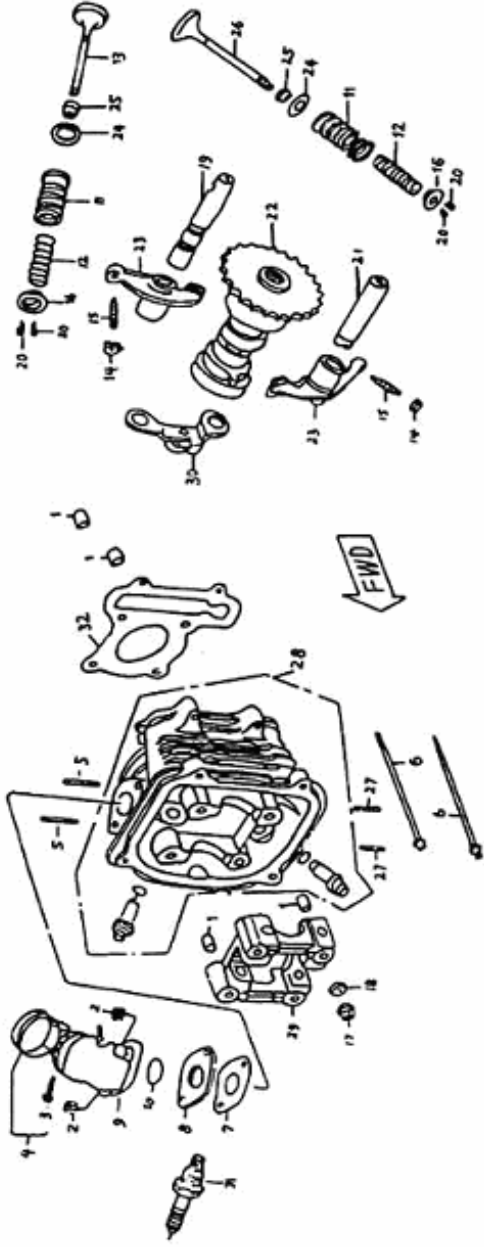
*** INDEX TO ENGINEER ***

E-01 CYLINDER HEAD COVER



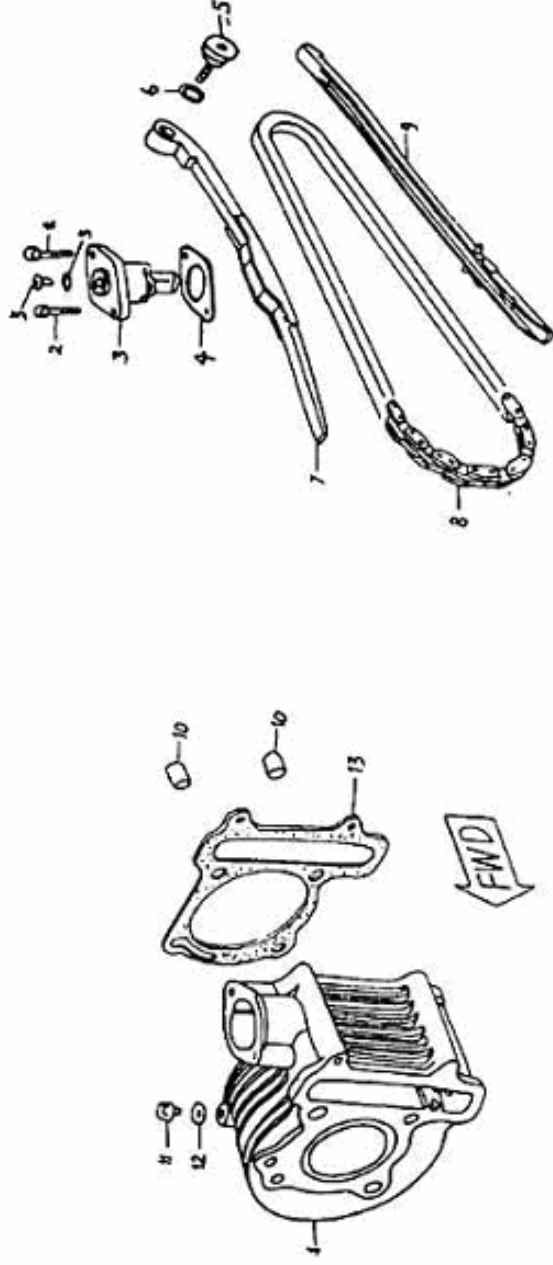
REF.	Part No.	Description	Qty	Remarks
1A		Cylinder Head Assy.	1	(1/2/3/4/5)
1	513-1008	Cylinder Head Cover Comp.	1	Sold as Assembly
2	7213-0002	Breather Pressure Plate	1	Sold as Assembly
3	513-1007	Breather Tube	1	Sold as Assembly
4	7200-0001	Screw ST4.2 x 8-F-H	3	Sold as Assembly
5	513-1005	Head Cover Gasket.	1	Sold as Assembly
6	7213-0005	Tube Clip (A)	1	
7	7213-0006	Air Tube	1	
8	7213-0007	Tube Clip (B)	1	
9	500-1063	Bolt M06 x 25	4	

E-02 CYLINDER HEAD



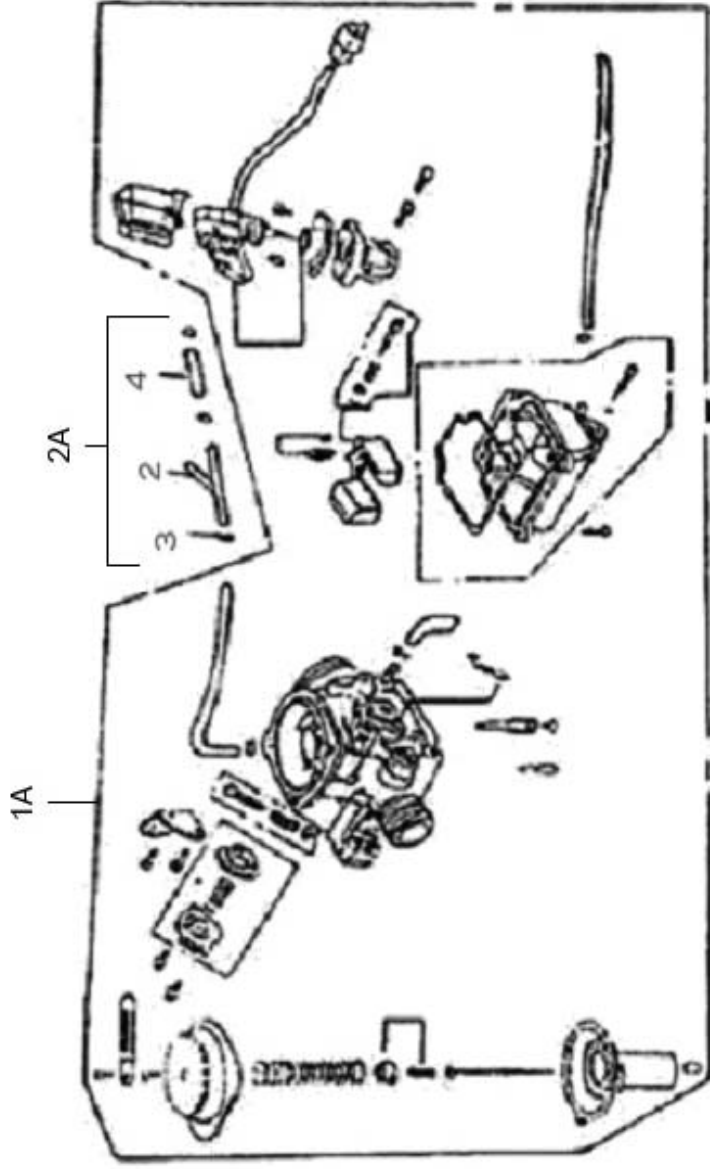
REF.	Part No.	Description	Qty	Remarks
17	500-1073	Nut M08	4	
18	500-1010	Washer 08	4	
19	513-1072	IN. Valve Rocker Arm Shaft	1	
20	513-1011	Valve Cotter	4	
21	513-1027	EX. Valve Rocker Arm Shaft	1	
22	7213-0008	Camshaft Group	1	
23	513-2004	Rocker Arm	2	
24	557-1002	Valve Spring Retainer	2	
25	513-1010	Valve Oil Seal Assy.	2	
26	513-1012	Ex. Valve	1	
27	500-1000	Double End Stud M8 x32	2	
28	513-1000	Cylinder Head Assy	1	
29	513-1067	Holder Camshaft	1	
30	7213-0010	Single Stopper Comp.	1	
31	7213-0011	Spark Plug	1	
32	513-1104	Cylinder Head Gasket	1	

E-03 CYLINDER



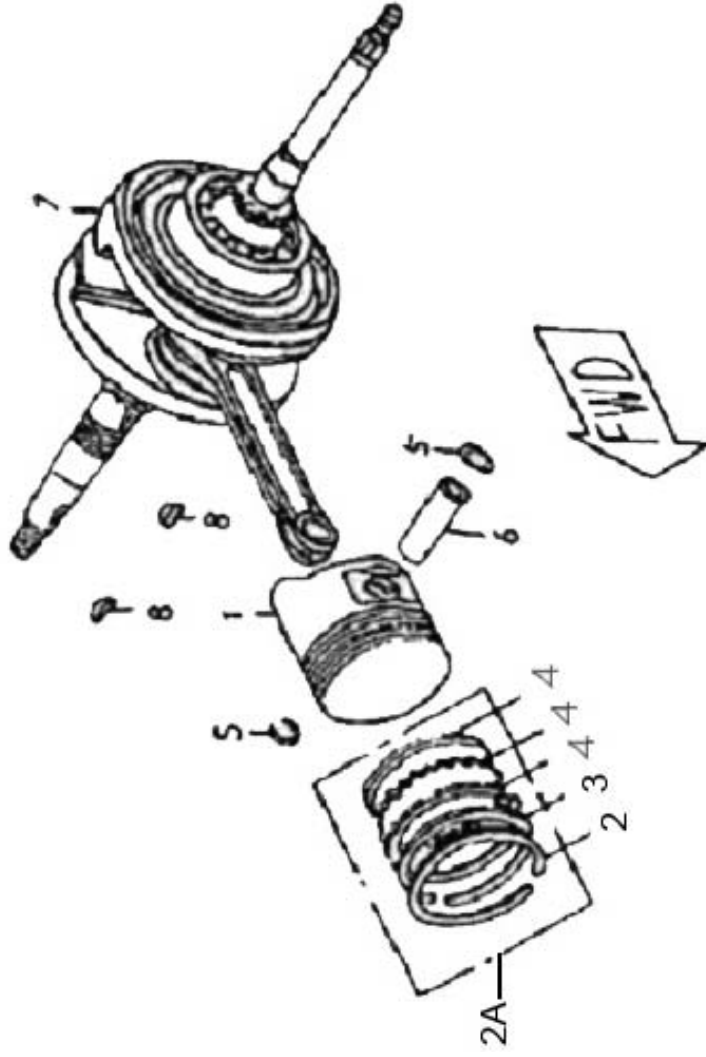
REF.	Part No.	Description	Qty	Remarks
1	513-1013	Cylinder Head Assy	1	
2	500-1307	Bolt M06 x 20	2	
3	513-1016	Chain Adjuster Assy	2	
4	513-1015	Chain Adjuster Gasket	1	
5	7200-0006	Cam Chain Screw	1	
6	7200-0007	O-Ring 15.5 x 1.5	1	
7	513-1032	Cam Chain Tensioner	1	
8	513-1039	Cam Chain	1	
9	513-1017	Guide Comp. Cam Chain	1	
10	500-1002	Dowel Pin 10 x 16	2	
11	500-1084	Bolt M06 x 12	1	
12	500-1305	Washer 6	1	
13	513-1014	Cylinder Gasket	1	

E-04 CARBURETOR



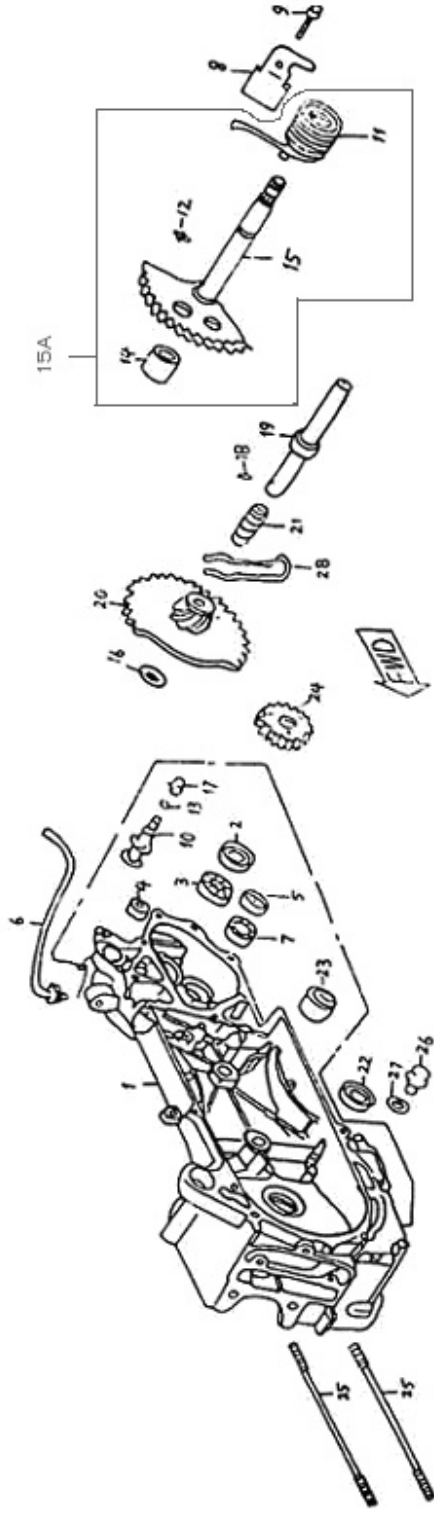
REF.	Part No.	Description	Qty	Remarks
1	513-3003	Carburetor Assy	1	
2A		Tube Assy	1	(2/3/4)
2	7213-0013	3 Way Joint	1	Sold as Assembly
3	7213-0014	Tube Clip	3	Sold as Assembly
4	7213-0015	Tube	1	Sold as Assembly

E-05 CRANKSHAFT CONNECTING ROD - PISTON



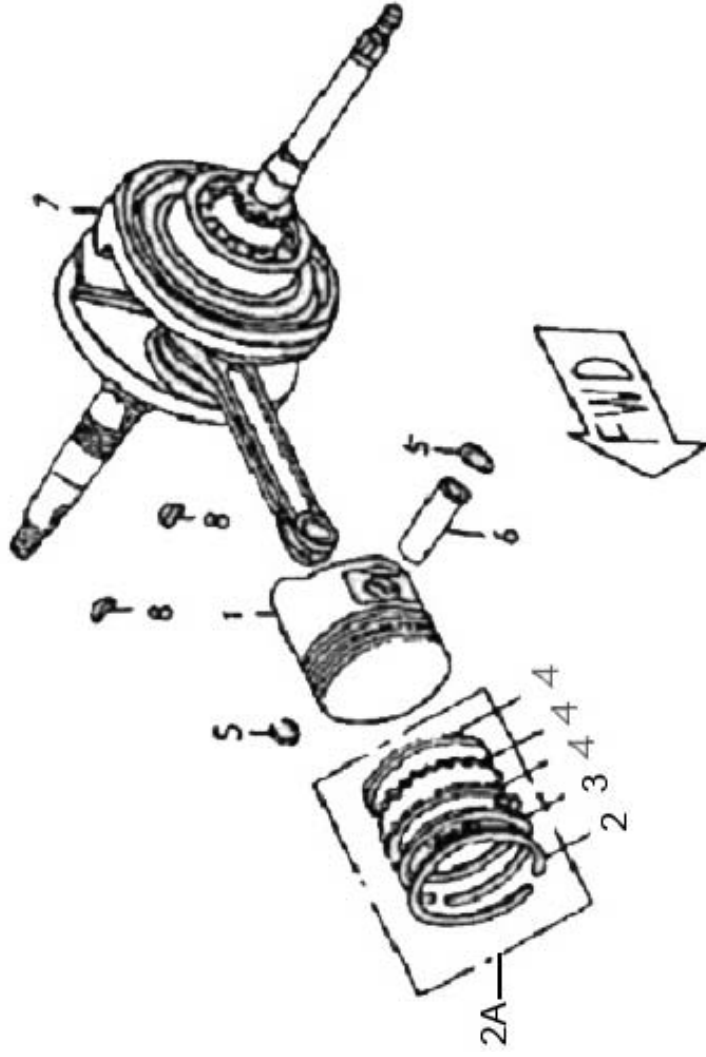
REF.	Part No.	Description	Qty	Remarks
1	513-1037	Piston	1	
2A	500-1038	Piston Ring Set	1	(2/3/4)
2		First Piston Ring	1	Sold as Assembly
3	7213-0018	Second Piston Ring	1	Sold as Assembly
4	7213-0019	Piston Oil Ring (Set)	1	Sold as Assembly
5	513-1035	Piston Pin Clip	2	
6	513-1036	Piston Pin	1	
7	513-1034	Crank Shaft Comp	1	
8	513-1068	Woodruff Key	2	

E-06 CRANKCASE – L



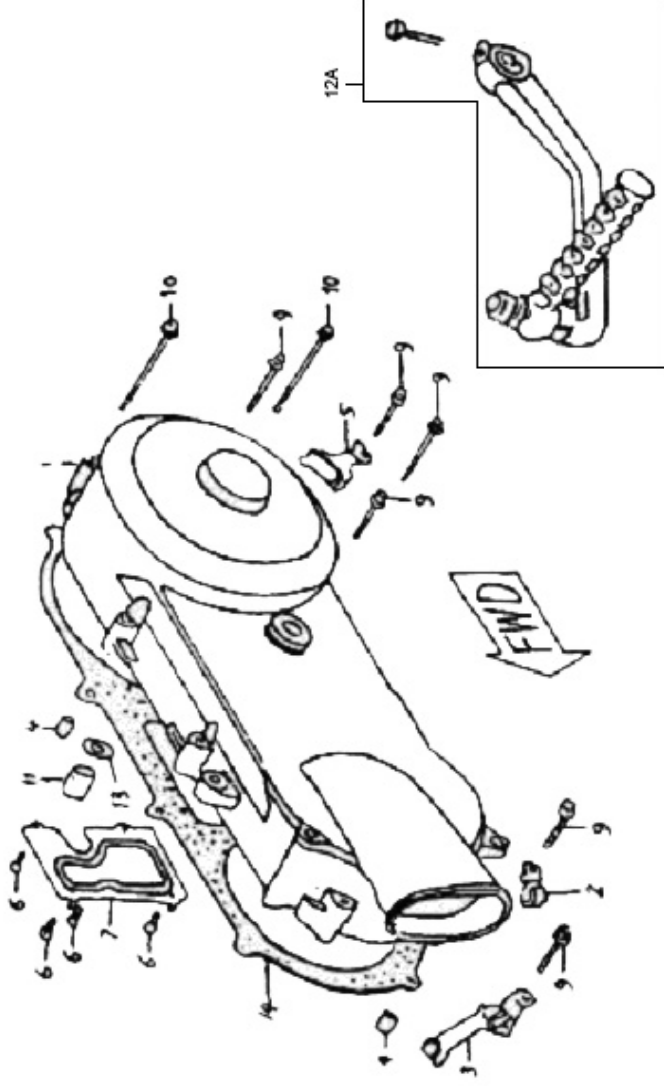
REF.	Part No.	Description	Qty	Remarks
1	7213-0024	L Crankcase Comp	1	
2	7213-0025	Oil Seal 27 x 42 x 7	1	
3	7222-0001	Radial Ball Bearing 46104	1	
4	7213-0026	Shock Absorber Tube	1	
5	7222-0002	Radial Ball Bearing 46102	1	
6	7213-0027	Breather Tube Assy	1	
7	7222-0003	Radial Ball Bearing 46031	1	
8	7213-0028	Kick Return Stopper Plate	1	
9	500-1175	Bolt M06 x 14	1	
10	7213-0029	Pin Brake Shoe Anchor	1	
11	7213-0030	Kick Start Spring	1	Sold as Assembly
12	7213-0031	Special Pin	1	Sold as Assembly
13	513-1030	O Ring 7.5 x 1.5	1	
14	7200-0009	Kick Start Bush	1	Sold as Assembly
15A	513-1042	Kick Starter Spindle Assy.	1	(11/12/14/15)
15	7213-0033	Kick Start Spindle	1	Sold as Assembly

E-05 CRANKSHAFT CONNECTING ROD - PISTON



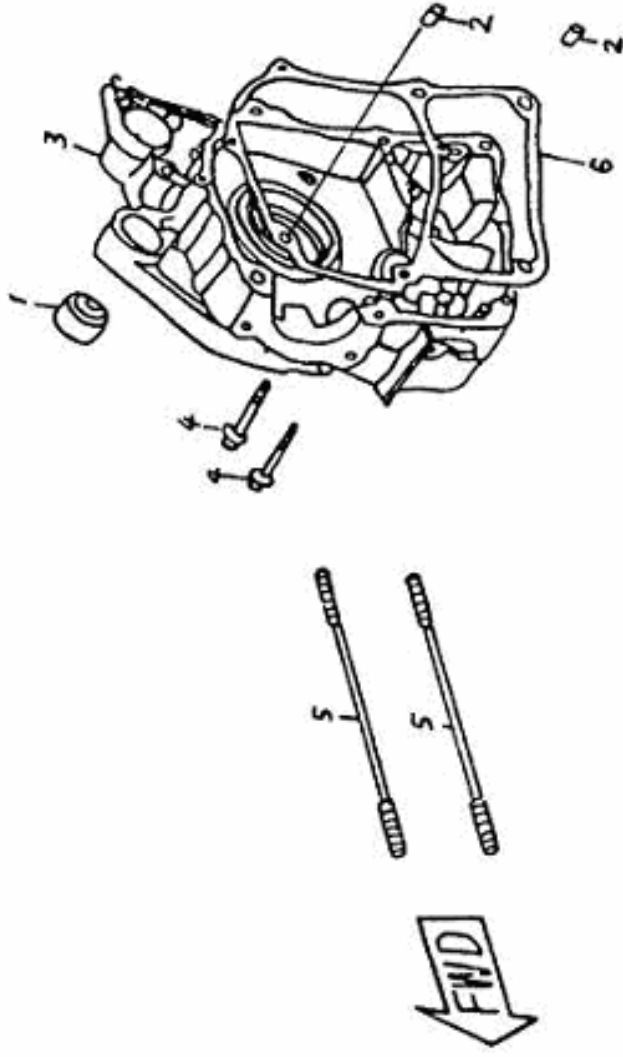
REF.	Part No.	Description	Qty	Remarks
1	513-1037	Piston	1	
2A	500-1038	Piston Ring Set	1	(2/3/4)
2	7213-0017	First Piston Ring	1	Sold as Assembly
3	7213-0018	Second Piston Ring	1	Sold as Assembly
4	7213-0019	Piston Oil Ring (Set)	1	Sold as Assembly
5	513-1035	Piston Pin Clip	2	
6	513-1036	Piston Pin	1	
7	513-1034	Crank Shaft Comp	1	
8	513-1068	Woodruff Key	2	

E-07 LEFT CRANKCASE COVER



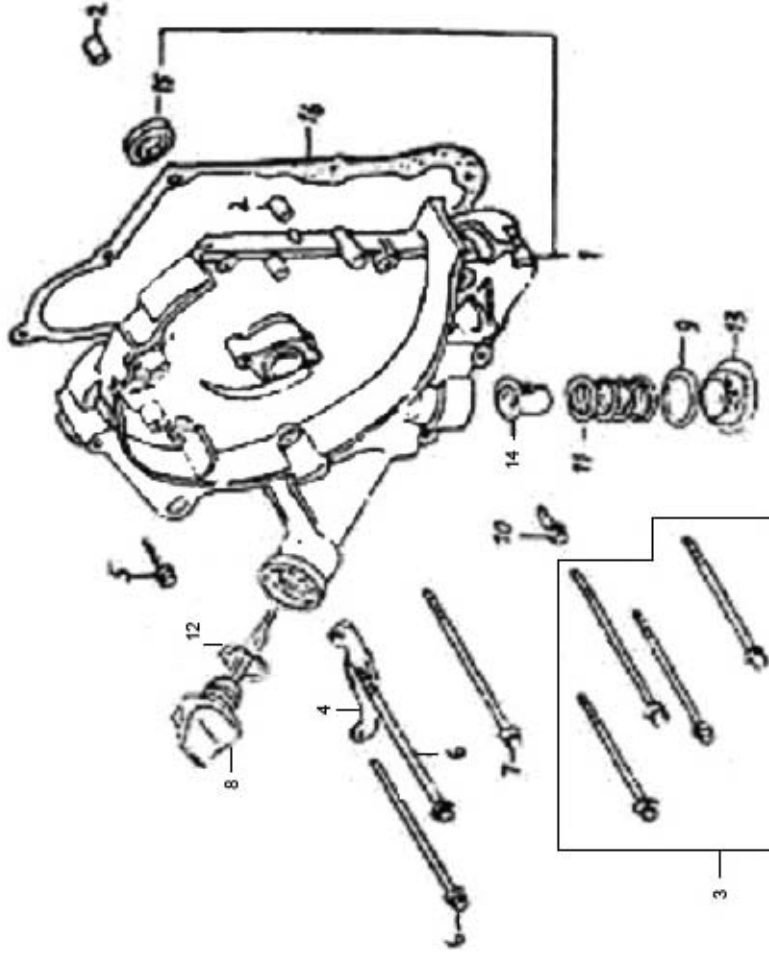
REF.	Part No.	Description	Qty	Remarks
1	7213-0043	L Side Cover	1	
2	7213-0044	Breather Drain Tube Clamp	1	
3	7213-0045	Throttle Cable Clamp	1	
4	7213-0046	Dowel Pin	2	
5	7213-0047	Brake Cable Clamp	1	
6	7200-0014	Screw ST4.2 x 8-C-H	4	
7	7213-0048	L Cover Plate	1	
8	7213-0049	Fixing Stand	1	
9	500-3032	olt M06 x 40	6	
10	500-1061	Bolt M06 x 65	2	
11	7213-0050	Crankcase Bush	1	
12A	7213-0051	Kick Starter Arm Assy.	1	
13	7200-0017	Washer	1	
14	7213-0052	L Cover Gasket	1	

E-08 CRANKCASE – R



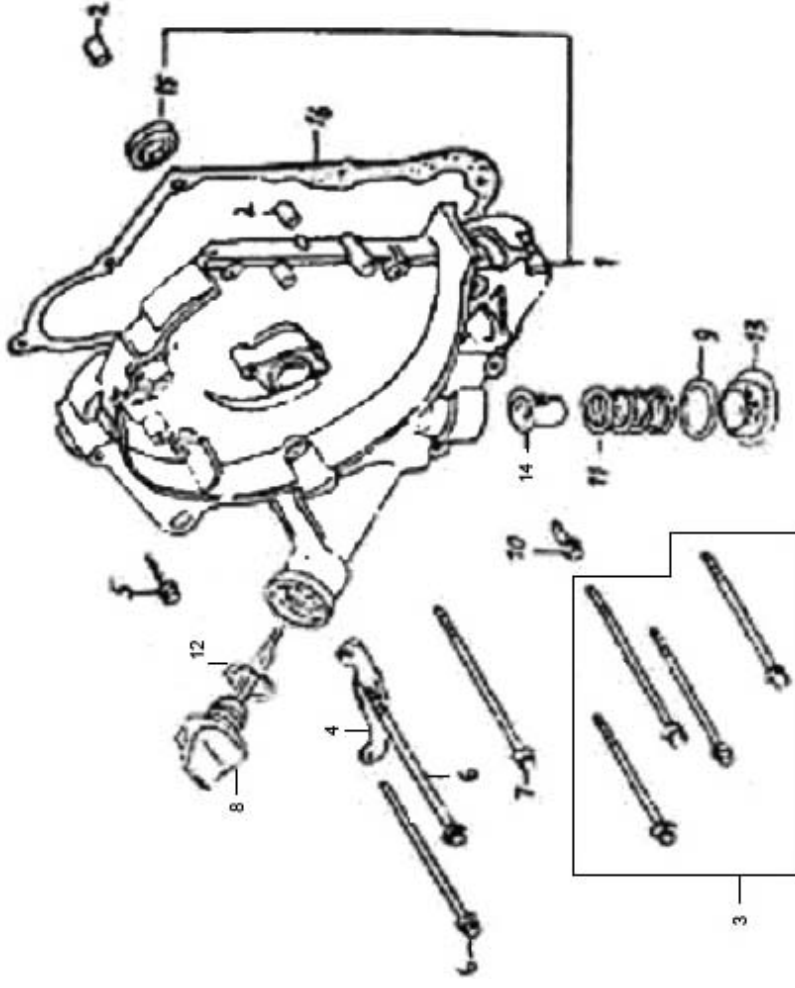
REF.	Part No.	Description	Qty	Remarks
1	7213-0053	Engine Hanger Rubber Bushing	1	
2	7213-0054	Dowel Pin 8 x 14	2	
3	7213-0055	R Crankcase Assy	1	
4	500-1054	Bolt M06 x 50	2	
5	7213-0056	Double End Studs	2	
6	513-1025	R Crankcase Gasket	1	

E-09 RIGHT CRANKCASE COVER



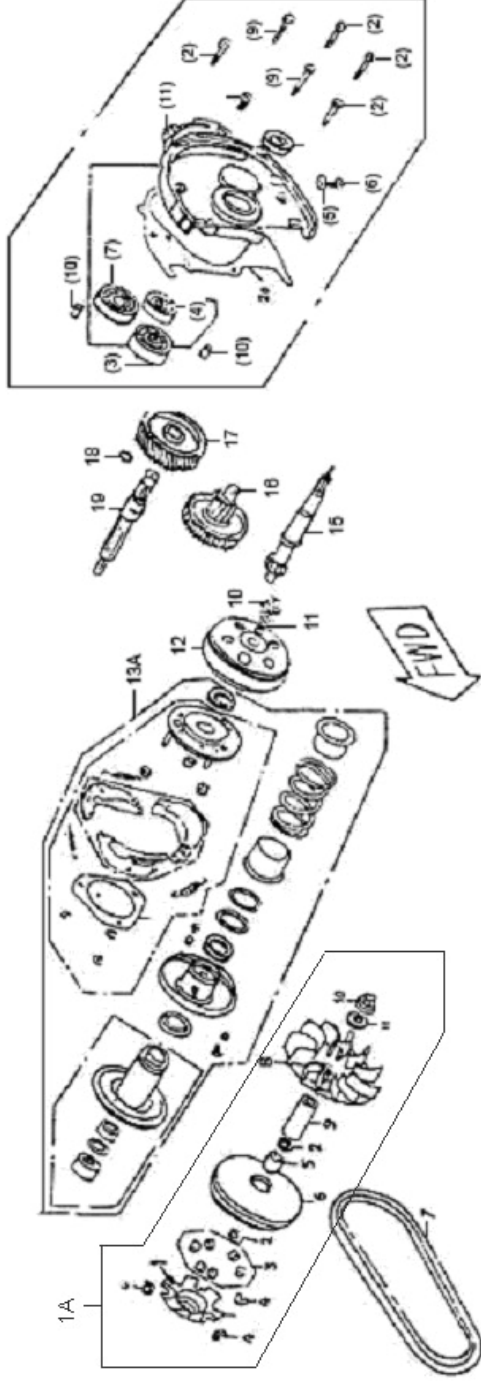
REF.	Part No.	Description	Qty	Remarks
1	7213-0058	R Crankcase Cover Comp	1	
2	7213-0059	Dowel Pin	2	
3	500-1013	Bolt M06x95	4	
4	213-0060	Magneto Clamp	1	
5	500-3032	Bolt M06 x 40	1	
6	500-1311	Bolt M06 x 110	2	
7	500-1304	Bolt M06 x 100	1	
8	513-1021	Oil Level Stick	1	
9	7213-0062	O Ring 30.8	1	
10	7200-0023	Bolt M06 x 32	1	

E-09 RIGHT CRANKCASE COVER



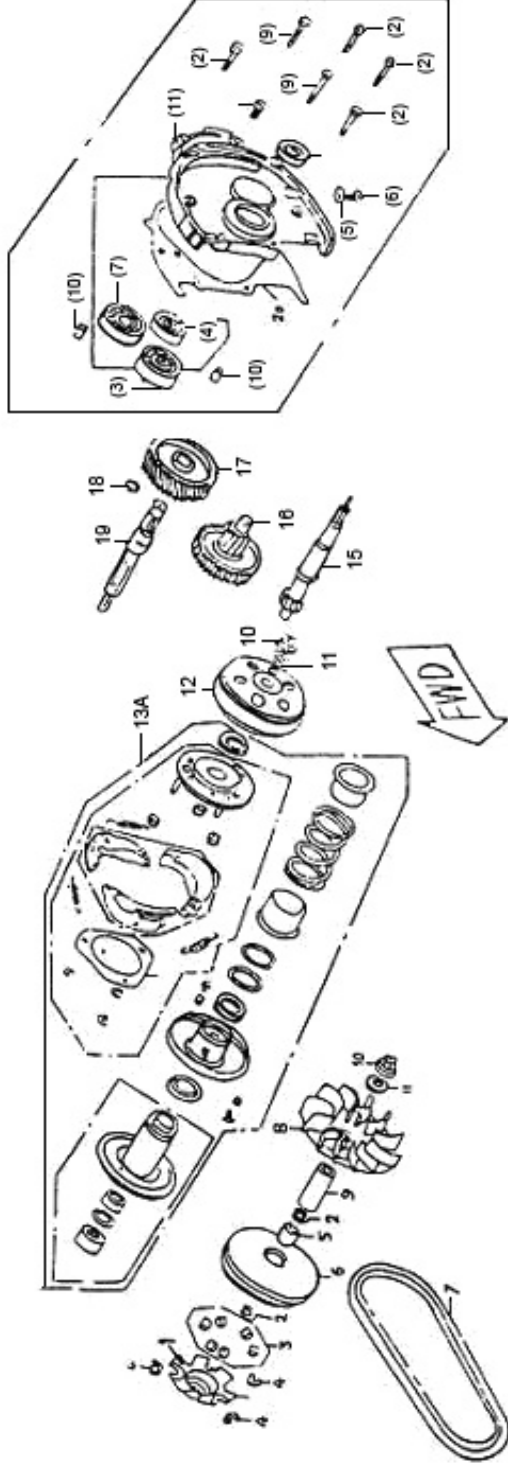
REF.	Part No.	Description	Qty	Remarks
11	557-1003	Oil Filler Screen Spring	1	
12	7213-0064	O Ring 18 x 3	1	
13	500-1015	Oil Filler Cap	1	
14	513-1020	Oil Filler Screen	1	
15	7213-0067	Oil Seal 19.8 x 30 x 5	1	
16	7213-0068	R Crankcase Cover Gasket	1	

E-10 TRANSMISSION



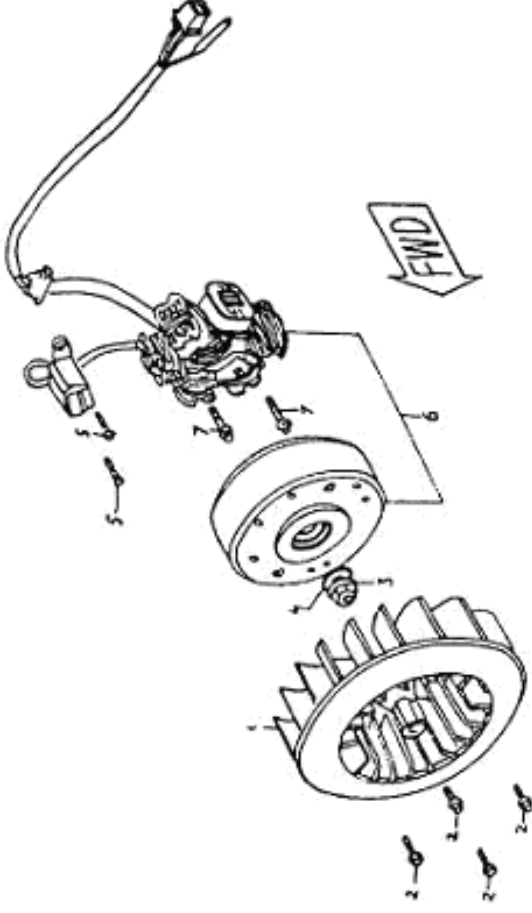
REF.	Part No.	Description	Qty	Remarks
1A	513-1060	Moveable Drive Pulley Assy		(1/2/3/4/5/6)
1	7213-0069	Ramp Plate	1	Sold as Assembly
2	7213-0070	Clip	2	Sold as Assembly
3	7213-0071	Weight Roller Comp	6	Sold as Assembly
4	7213-0072	Slide Piece	3	Sold as Assembly
5	7213-0073	Drive Face Collar	1	Sold as Assembly
6	7213-0074	Movable Drive Face Comp	1	Sold as Assembly
7	7238-0001	Drive Belt	1	
8	513-1060	Drive Face	1	
9	7213-0075	Drive Face Boss	1	
10	7200-0024	Nut M12 x 1.25	2	
11	500-3011	Washer	2	
12	539-1004	Outer Clutch	1	
13	513-1047	Driver Pulley Assy.	1	
14	513-1048	Transmission Cover	1	

E-10 TRANSMISSION



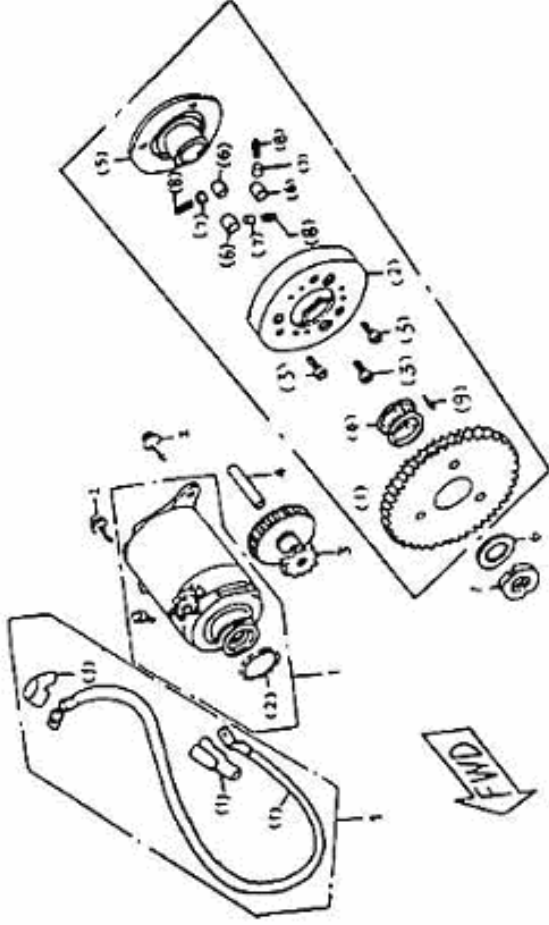
REF.	Part No.	Description	Qty	Remarks
14-1	7213-0078	O Seal 20 x 32 x 6	1	
14-2	500-1309	Bolt M 6 x 28	4	
14-3	7222-0004	Radial Ball Bearing 36204	1	
14-4	7222-0005	Radial Ball Bearing 36202	1	
14-5	7200-0004	Washer 8 Special	1	
14-6	7200-0021	Bolt M8 x 12	1	
14-7	7222-0006	Radial Ball Bearing 36203	1	
14-8	7200-0029	Special Bolt M8 x 12	1	
14-9	500-1057	Bolt M06 x 35	2	
14-10	7213-0054	Dowel Pin 8 x 14	2	
14-11	7213-0080	Gear Box Case	1	
15	513-1052	Drive Shaft	1	
16	513-3023	Counter-Shaft Comp	1	
17	513-1087	Final Gear - 40 Teeth	1	
18	500-1011	Circlip	1	
19	513-1051	Final Shaft	1	
20	7213-0086	Gear Box Cover Gasket	1	

E-11 GENERATOR



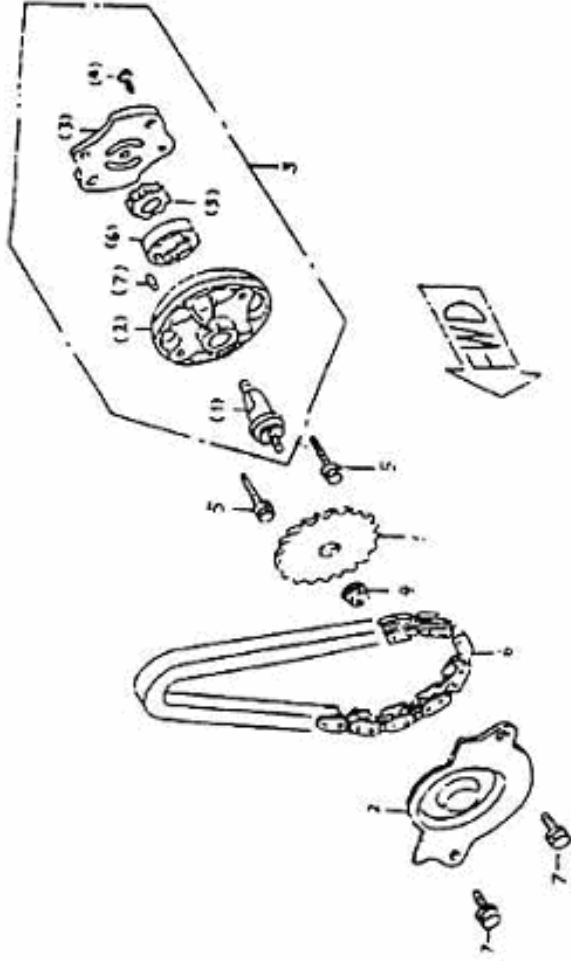
REF.	Part No.	Description	Qty	Remarks
1	513-1055	Cooling Fan Comp	1	
2	500-1065	Bolt M06 x 18	4	
3	500-3012	Nut M12	1	
4	500-3011	Washer M12	1	
5	500-2510	Bolt M5 x 12	2	
6	7213-0087	Magneto Assy.	1	
7	500-1084	Bolt M06 x 12	2	

E-12 STARTING MOTOR



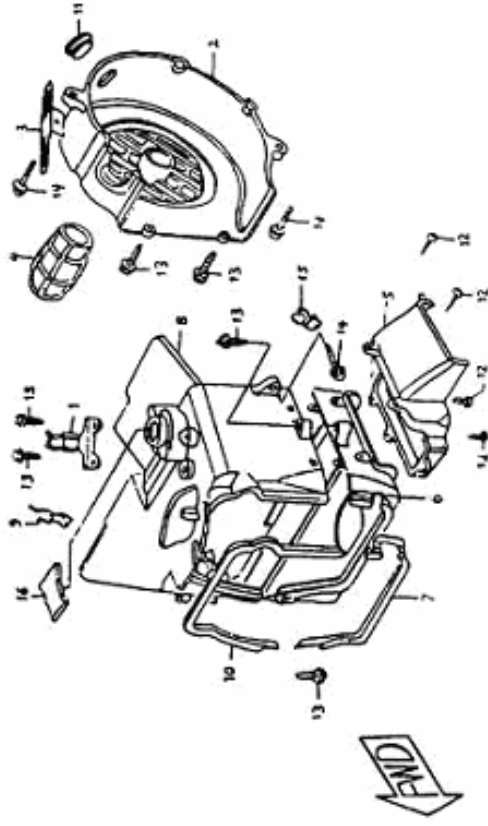
REF.	Part No.	Description	Qty	Remarks
1	513-1059	Starting Motor Assy	1	
1-1	7213-0088	Starting Motor Cable	1	
1-2	7213-0089	O-Ring	1	
2	500-1306	Bolt M06 x 16	1	
3	513-1058	Reduction Starter Gear	1	
4	513-1090	Reduction Starter Gear Shaft	1	
5	513-1056	Flange Start Clutch Assy.	1	
5-1	7213-0093	Clutch Gear	1	
5-2	7213-0094	Out Clutch Comp Assy	1	
5-3	500-1009	Screw M06 x 12	3	
5-4	7222-0007	Needle Bearing	1	
5-5	7213-0095	Flange Clutch Assy	1	
5-6	7213-0096	Roller Set	3	
5-7	7213-0097	Starting Clutch Spring Cap	3	
5-8	7257-0005	Clutch Roller Spring	3	
5-9	7200-0008	Dowel Pin	1	
6	7200-0038	Washer	1	
7	500-0111	Lock Nut	1	

E-13 OIL PUMP



REF.	Part No.	Description	Qty	Remarks
1	7223-0001	Driven Sprocket	1	
2	513-1084	Oil Separator	1	
3	513-1045	Oil Pump Assy.	1	
3-1	7213-0100	Oil Pump Shaft	1	
3-2	7213-0101	Oil Pump Body	1	
3-3	7213-0102	Oil Pump Plate	1	
3-4	500-0111	Tapping Screw M3 x 10	1	
3-5	7213-0103	Inner Oil Pump Rotor	1	
3-6	7213-0104	Outer Oil Pump Rotor	1	
3-7	7200-0041	Pin B4 x 8	1	
4	500-1303	Nut M06	2	
5	500-1063	Bolt M06 x 25	2	
6	513-1044	Oil Pump Chain	1	
7	500-1084	Bolt M06 x 12	2	

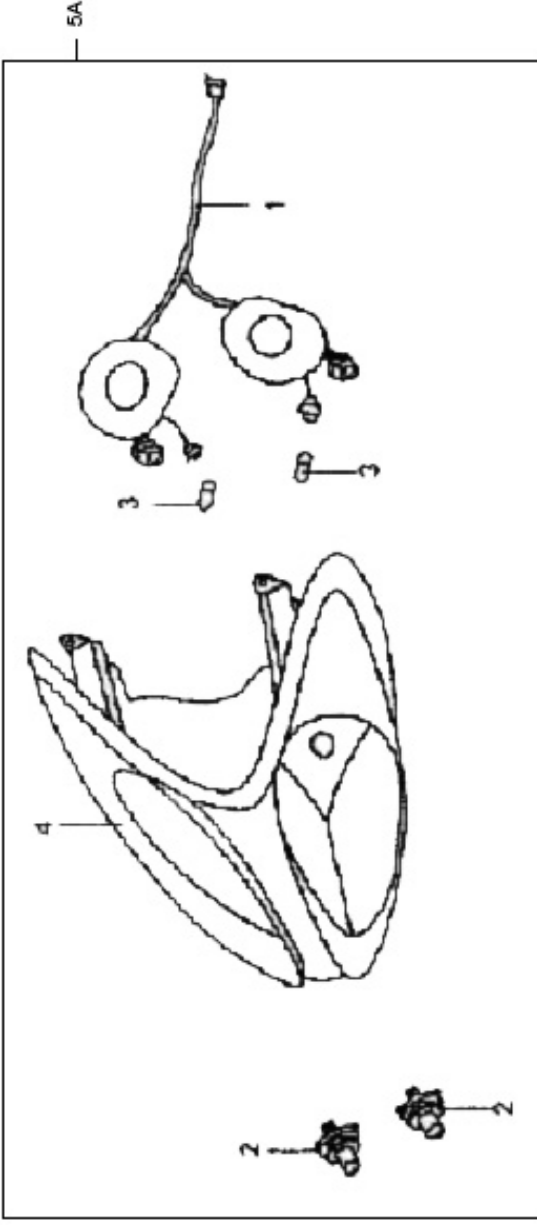
E-14 FAN COVER, SHROUD



REF.	Part No.	Description	Qty	Remarks
1	7213-0105	Breather Tube Clamp Assy	1	
2	513-1043	Fan Cover Comp	1	
3	513-2010	Starter Cable Clamp	1	
4	513-2011	Carburetor Cable Duct	1	
5	7213-0106	Dust Shroud	1	
6	513-3014	Shroud Comp A	1	
7	513-1078	Oil Seal Shroud A	1	
8	513-3015	Shroud Comp B	1	
9	7213-0107	High Tension Cord Clip	1	
10	513-1079	Oil Seal Shroud B	1	
11	7213-0108	Shroud A Grommet	1	
12	7200-0036	Tapping Screw ST4.8 x 6-C-H	4	
13	500-1062	Tapping Screw ST4.8 x 13-C-H	6	
14	500-1063	Bolt M06 x 25	3	
15	7213-0109	Overflow Tube Clamp	1	
16	7213-0110	Shroud B Grommet	1	

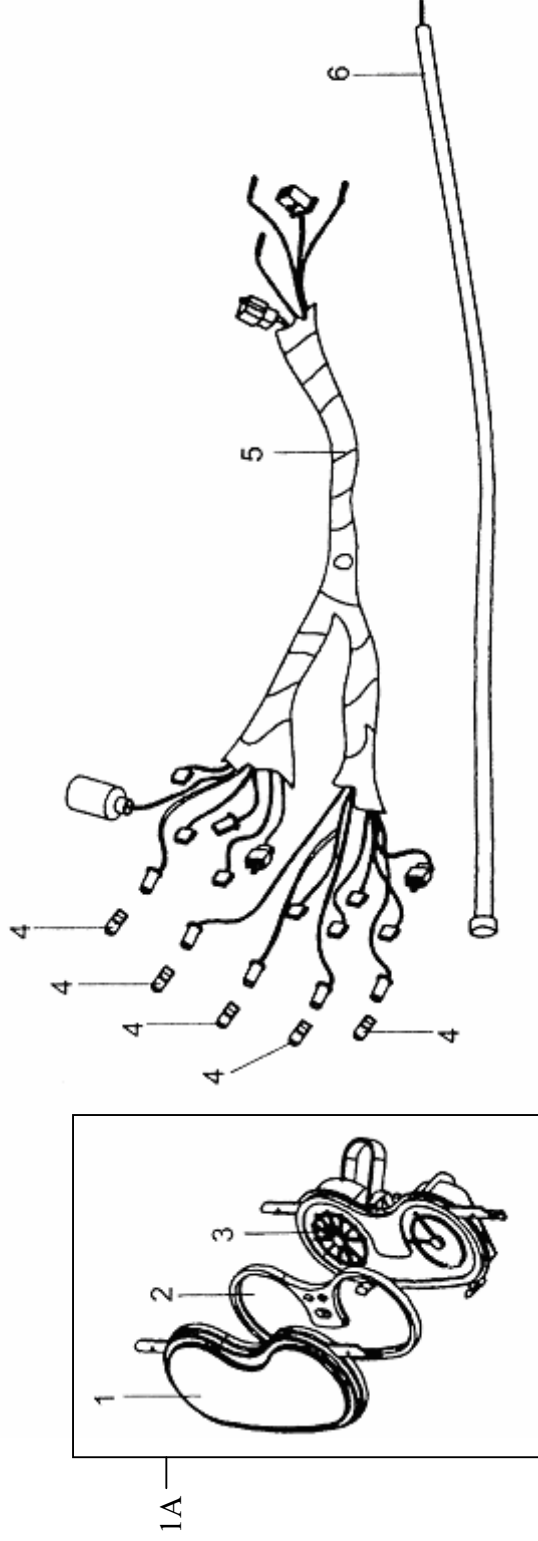
*** INDEX TO FRAME ***

F-01 HEADLIGHT



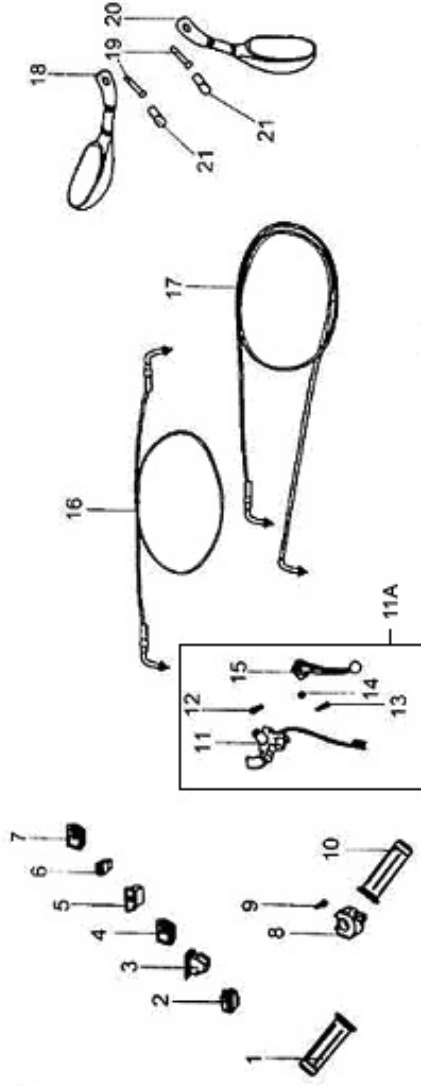
REF.	Part No.	Description	Qty	Remarks
1	7209-0001	Headlight Holder	1	
2	7209-0002	Headlight Bulb 12V 18W	2	
3	7209-0003	Sidelight Bulb 12V 3W	2	
4	7237-0001	Headlight Cover Comp	1	
5A	7209-0044	Headlight Assy.	1	(1/2/3/4)

F-02 METER



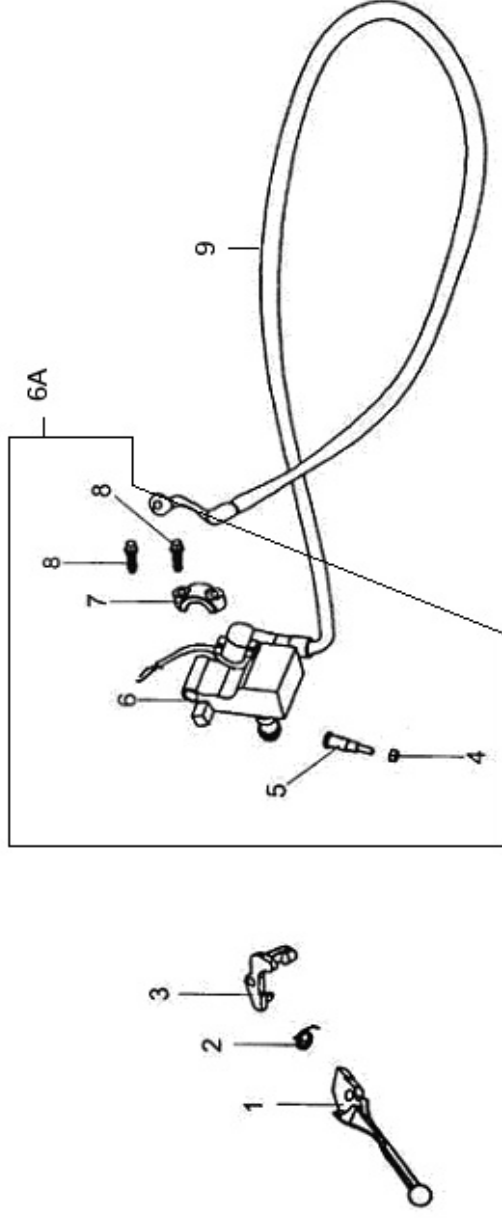
REF.	Part No.	Description	Qty	Remarks
1A	7209-0042	Speedometer Case Assy.	4	(1/2/3)
1	7209-0004	Lens	1	Sold as Assembly
2	7209-0005	Reflecting Plate	1	Sold as Assembly
3	7209-0006	Speedometer Case	1	Sold as Assembly
4	7209-0007	Bulbs	5	
5	7209-0008	Sub-Wire Harness	1	
6	7230-0001	Speedometer Cable	1	

F-03 SWITCHES



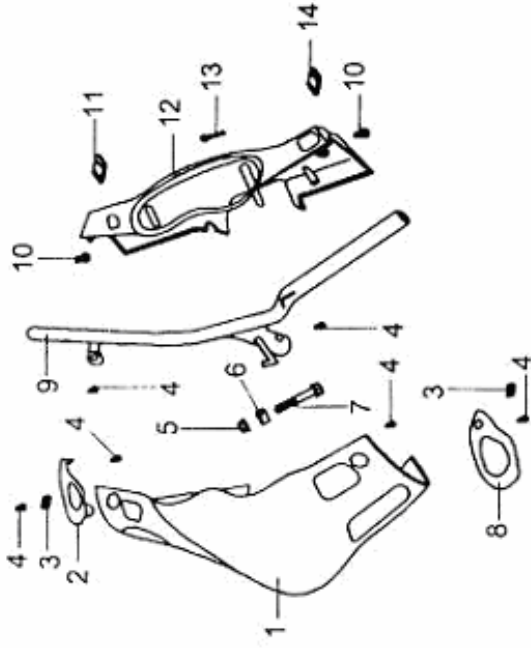
REF.	Part No.	Description	Qty	Remarks
1	7209-0009	L. Handle Grip	1	
2	7209-0010	Start Switch Unit	1	
3	7209-0011	High Beam & Low Beam Switch Unit	1	
4	7209-0012	Horn Switch Unit	1	
5	7209-0013	Turn Light Switch Unit	1	
6	7209-0014	Fr. Brake Switch Unit	1	
7	7209-0015	Lighting Switch Unit	1	
8	7209-0016	Throttle Holder	1	
9	7200-0046	Socket Screw M06 x 20	1	
10	7209-0017	Starting Grip	1	
11A	7209-0041	L. Handle Assy.	1	(11/12/13/14)
11	7209-0018	Handle Bracket	1	Sold as Assembly
12	7200-0047	Screw Socket M5 x 20	1	Sold as Assembly
13	7200-0048	Screw Socket	1	Sold as Assembly
14	500-1048	Nut M5	1	Sold as Assembly
15	7209-0019	L. Steering Handle Lever	1	
16	7258-0001	Throttle Cable	1	
17	7252-0001	Rr. Brake Cable	1	
18	7240-0001	R. Rr. Mirror w/ Turn Signal	1	
19	7200-0050	Oval Screw M5 x 40	2	
20	7240-0002	L. Rr. Mirror w/ Turn Signal	2	
21	7200-0051	Cover Bolt	2	

F-04 FRONT BRAKE MASTER CYLINDER



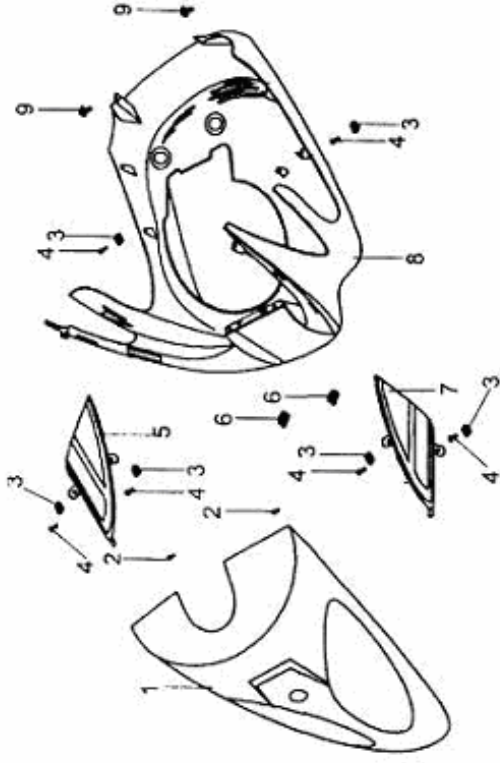
REF.	Part No.	Description	Qty	Remarks
1	7230-0002	L. Handle	1	
2	7257-0001	Returning Spring	1	
3	7230-0003	Connecting Gasket	1	
4	500-1048	Nut M05	1	Sold as Assembly
5	7200-0053	Handle Lever Bolt	1	Sold as Assembly
6A	7252-0025	Fr. Brake Assy.	1	(4/5/6/7/8)
6	7252-0002	Fr. Brake Oil Cylinder Comp	1	Sold as Assembly
7	7252-0003	Semicircle Cap	1	Sold as Assembly
8	500-3035	Bolt M06 x 22	2	Sold as Assembly
9	7252-0024	Brake Hose	1	

F-05 STEERING HANDLE



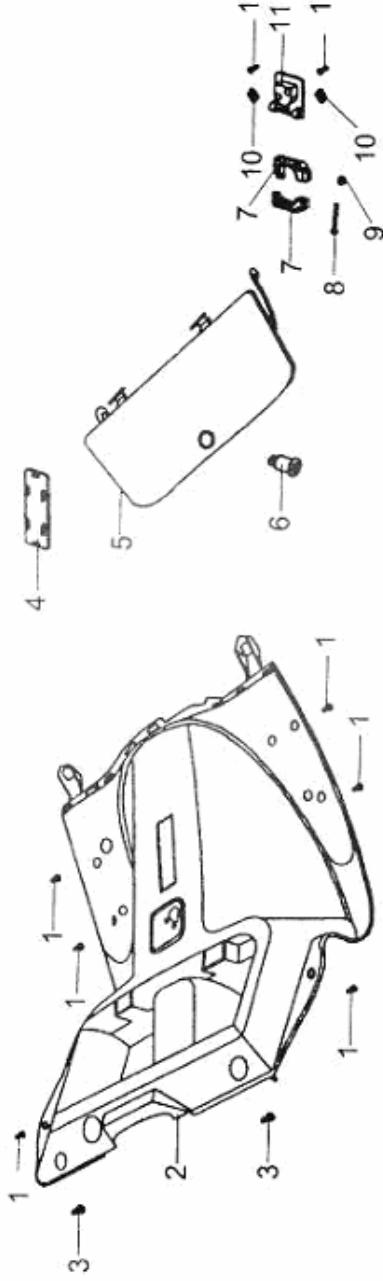
REF.	Part No.	Description	Qty	Remarks
1	7250-0001	Wind Screen Cover	1	
2	7240-0003	R. Windscreen Cover Plate	1	
3	7200-0055	Spring Nut 4.2	2	
4	7200-0031	Tapping Screw ST 4.2 x 12	6	
5	500-1087	Locked Nut M10	1	
6	500-1071	Steering Handle Locked Washer M10	1	
7	500-2504	Six Edge Bolt M10 x 50	1	
8	7240-0004	L. Windscreen Cover Plate	1	
9	7236-0001	Steering Handle Comp	1	
10	7200-0033	Tapping Screw ST 4.8 x 12	2	
11	7200-0061	Left Washer	1	
12	7237-0002	Speedometer Cover	1	
13	500-1103	Screw M5 x 25	1	
14	7200-0063	R. Washer	1	

F-06 FRONT COVER



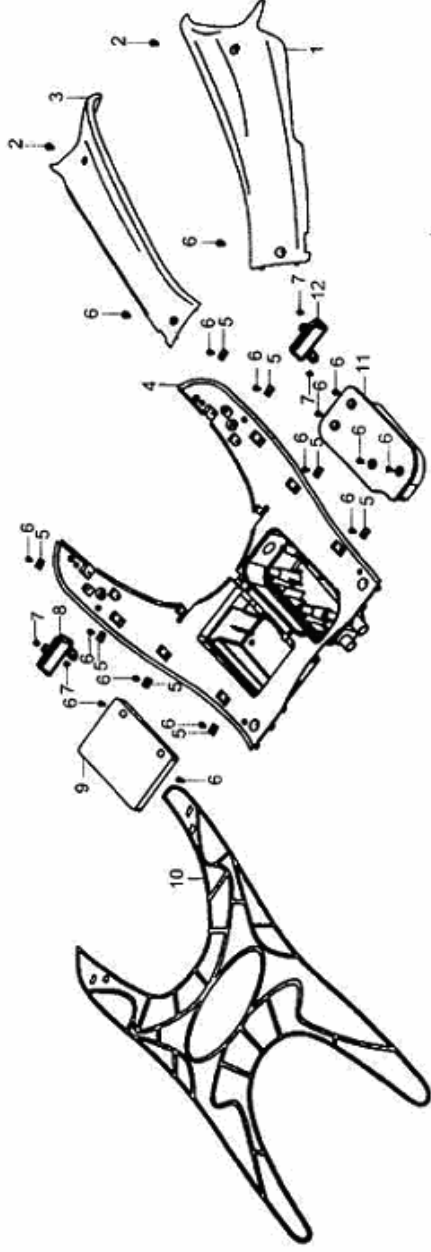
REF.	Part No.	Description	Qty	Remarks
1	7250-0002	Fr. Cover	1	
2	7200-0064	Tapping Screw ST 4 x 12	2	
3	7200-0027	Spring Nut ST4	6	
4	500-1318	Tapping Screw ST 5 x 16	6	
5	7237-0003	R. Fr. Cover Plate Comp.	1	
6	500-1048	Nut M05	2	
7	7237-0004	L. Fr. Cover Plate Comp.	1	
8	7250-0003	Fr. Protecting Plate	1	
9	500-1318	Washer Screw M05 x 16	2	

F-07 FRONT LUGGAGE BOX



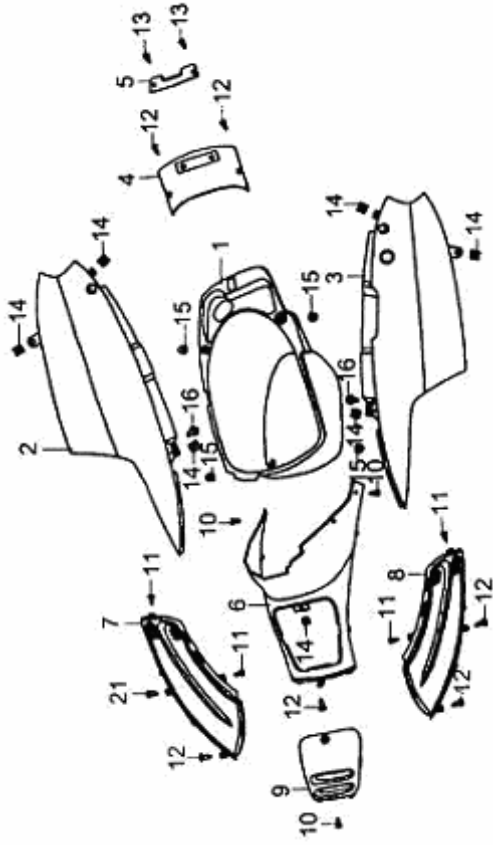
REF.	Part No.	Description	Qty	Remarks
1	7200-0032	Tapping Screw ST 4.2 x 16	8	
2	7250-0004	Fr. Boot Cover	1	
3	7200-0034	Tapping Screw ST 5 x 18	2	
4	7240-0005	Number Cover	1	
5	7250-0005	Fr. Storage Cover	1	
6	7240-0006	Fr. Storage Lock	1	
7	7240-0007	Helmet Hook	1	
8	7200-0071	Screw-Washer Stud M5 x 40	1	
9	500-1048	Nut M05	1	
10	7200-0055	Spring Nut ST4.2	2	
11	7240-0008	Helmet Hook Base	1	

F-08 FLOOR PANEL



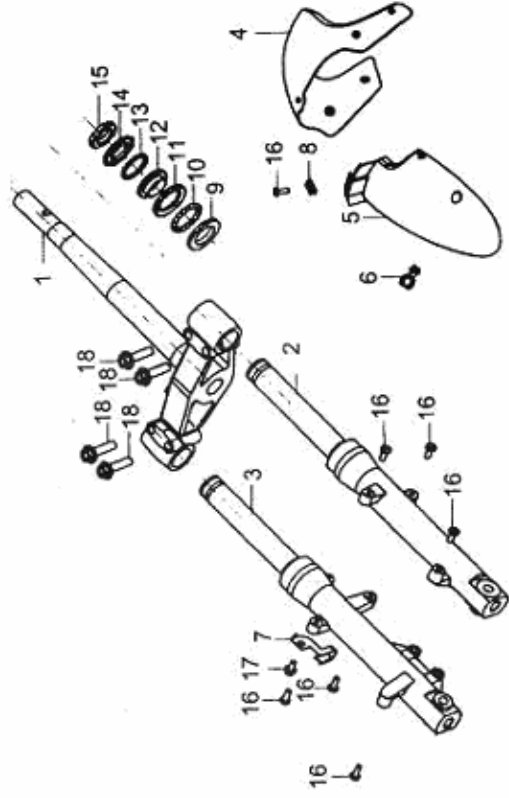
REF.	Part No.	Description	Qty	Remarks
1	7250-0006	L. Protecting Plate Comp	1	
2	500-2105	Bolt M06 x 16	2	
3	7250-0007	R. Protecting Plate Comp	1	
4	7250-0008	Floor Step	1	
5	7200-0025	Spring Nut ST4.8	8	
6	500-1062	Tapping Screw ST 4.8 x 16	16	
7	7200-0037	Tapping Screw ST 4.8-13	4	
8	7240-0009	R. Rear Step	1	
9	7250-0009	R. Cover Comp	1	
10	7250-0010	Rubber Step Comp	1	
11	7250-0011	L. Cover Comp	1	
12	7240-0010	L. Rear Step Comp	1	

F-09 LUGGAGE CASE & REAR COVER



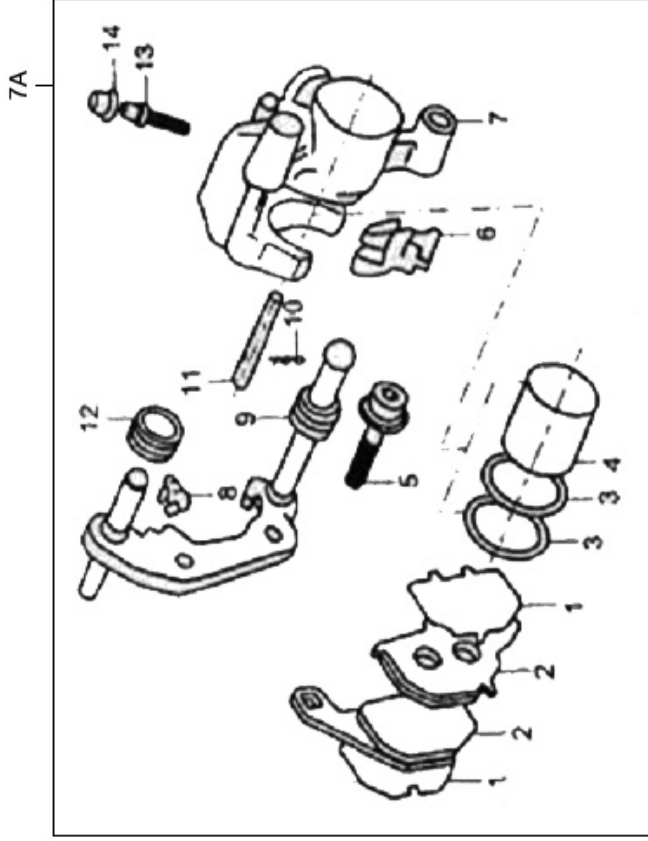
REF.	Part No.	Description	Qty	Remarks
1	7299-0001	Luggage Case	1	
2	7250-0012	R. Plastic Plate Comp	1	
3	7250-0013	L. Plastic Plate Comp	1	
4	7240-0011	Rr. Middle Plastic Plate Comp	1	
5	7240-0012	Rr. Plastic Plate Comp	1	
6	7299-0002	Luggage Case Cover Comp	1	
7	7250-0014	R. Plastic Cover Comp	1	
8	7250-0015	L. Plastic Cover Comp	1	
9	7299-0003	Small Luggage Case Cover	1	
10	7200-0033	Tapping Screw ST4.8 x 12	3	
11	7200-0031	Tapping Screw ST4.2 x 12	4	
12	7200-0076	Tapping Screw ST4.8 x 16	7	
13	7200-0032	Tapping Screw ST4.2 x 16	2	
14	7200-0082	Tapping Screw ST 4.8	7	
15	500-1031	Nut M06	4	
16	500-1084	Bolt M06 x 12	2	

F-10 FRONT FORK



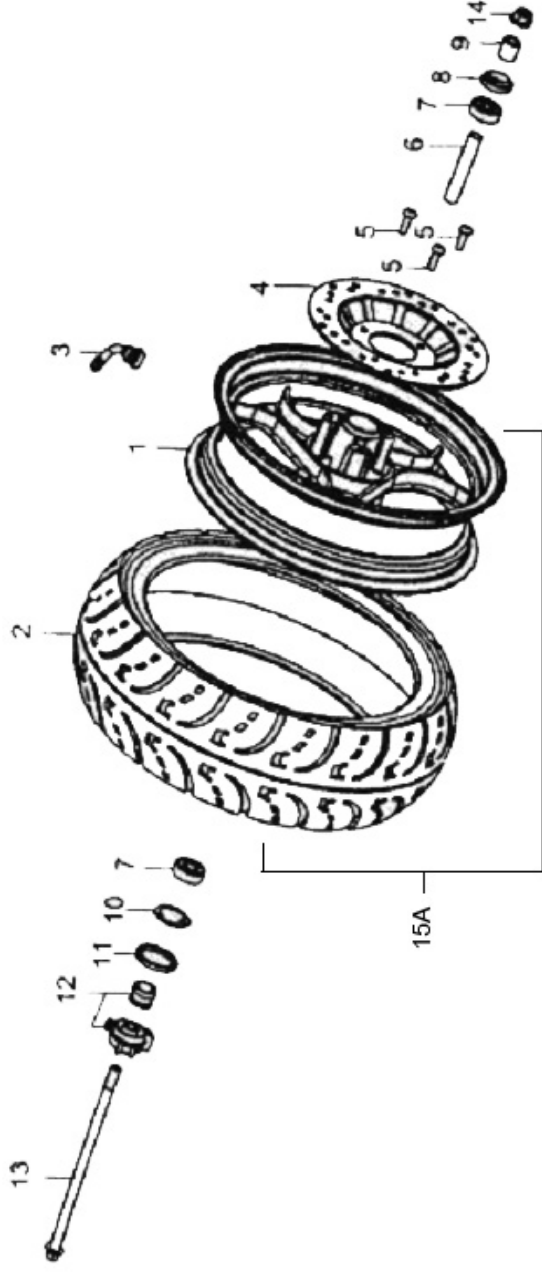
REF.	Part No.	Description	Qty	Remarks
1	7236-0002	Stem Comp	1	
2	7236-0003	L. Fr. Cushion Assy	1	
3	7236-0004	R. Fr. Cushion Assy	1	
4	7237-0005	Fr. Parts Fender Comp	1	
5	7237-0006	Fr. Parts Fender Comp	1	
6	7236-0005	Clip Set	1	
7	7236-0006	Locked Clip	1	
8	7236-0007	Nut Clip M06	1	
9	7236-0010	Upper/Lower Inner Race	1	
10	7222-0008	Ball Bearing	1	
11	7236-0008	Lower-Outer Race	1	
12	7236-0009	Lower/Under Inner Race	1	
13	7222-0008	Ball Bearing	1	
14	7236-0011	Upper/Outer Race	1	
15	500-3023	Special Lock Nut	1	
16	500-1009	Screw M06 x 12	7	
17	500-1084	Bolt M06 x 12	1	
18	7200-0052	Bolt M10 x 40	4	

F-11 FRONT BRAKE CALIPER



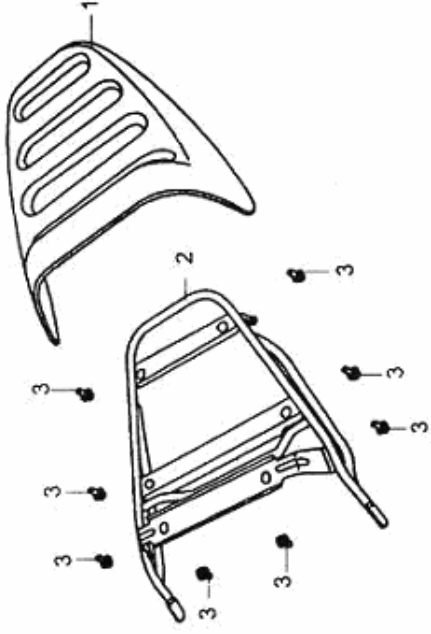
REF.	Part No.	Description	Qty	Remarks
1	7200-0089	Washer	2	Sold as Assembly
2	7252-0004	Brake Pad	2	Sold Separately and as Assembly
3	7252-0005	Brake Oil Seal	2	Sold as Assembly
4	7252-0006	Brake Piston	1	Sold as Assembly
5	7200-0090	Bolt	2	Sold as Assembly
6	7252-0007	Cord Keeper	1	Sold as Assembly
7A		Front Brake Caliper Assy.	1	(1/2/3/4/5/6/7/8/9/10/11/12/13/14)
7	7252-0008	Brake Caliper Body Assy	1	Sold as Assembly
8	7252-0009	Guide Plate	1	Sold as Assembly
9	7252-0010	Regulator	1	Sold as Assembly
10	7252-0011	Brake Clip	1	Sold as Assembly
11	7252-0012	Brake Pin	1	Sold as Assembly
12	7252-0013	Protecting Cover	1	Sold as Assembly
13	7200-0091	Exhaust Bolt	1	Sold as Assembly
14	7252-0014	Exhaust Bolt Cap	1	Sold as Assembly

F-12 FRONT WHEEL



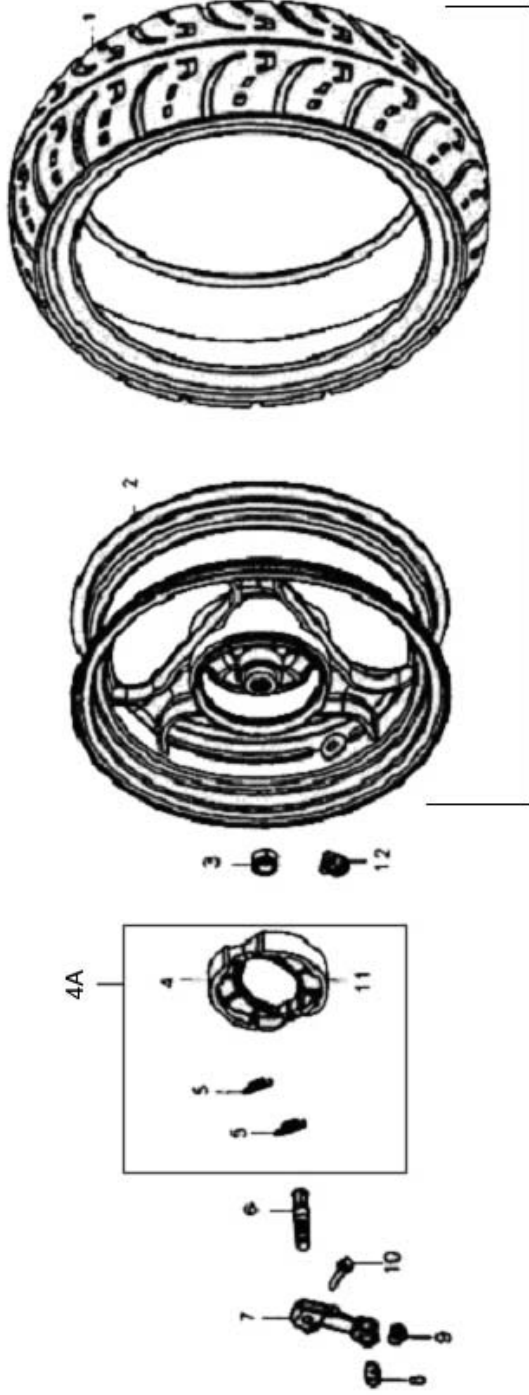
REF.	Part No.	Description	Qty	Remarks
1	7219-0001	Fr. Wheel Rim	1	Sold Separately or as Assembly
2	7216-0001	Fr. Tire	1	Sold Separately or as Assembly
3	7240-0013	Valve Stem	1	
4	7252-0015	Fr. Brake Disk	1	
5	500-1068	Bolt M08 x 25	3	
6	7240-0014	Collar FR Wheel Side	1	
7	7222-0009	Bearing 6301	2	
8	7240-0015	Seal Ring	1	
9	7240-0016	Collar	1	
10	7240-0017	Seal Speedometer Gear Box	1	
11	7240-0018	Seal Gasket	1	
12	7240-0019	Speedometer Gear Box Assy	1	
13	7227-0001	Fr. Wheel Axle	1	
14	7200-0093	Nut	1	
15A		Front Tire Assy.	1	(1/2)

F-13 CARRIER PLATE



REF.	Part No.	Description	Qty	Remarks
1	7250-0016	Carrier Outer Cover	1	
2	7250-0017	Carrier Plate	1	
3	500-1009	Flange Bolt M06 x 12	8	

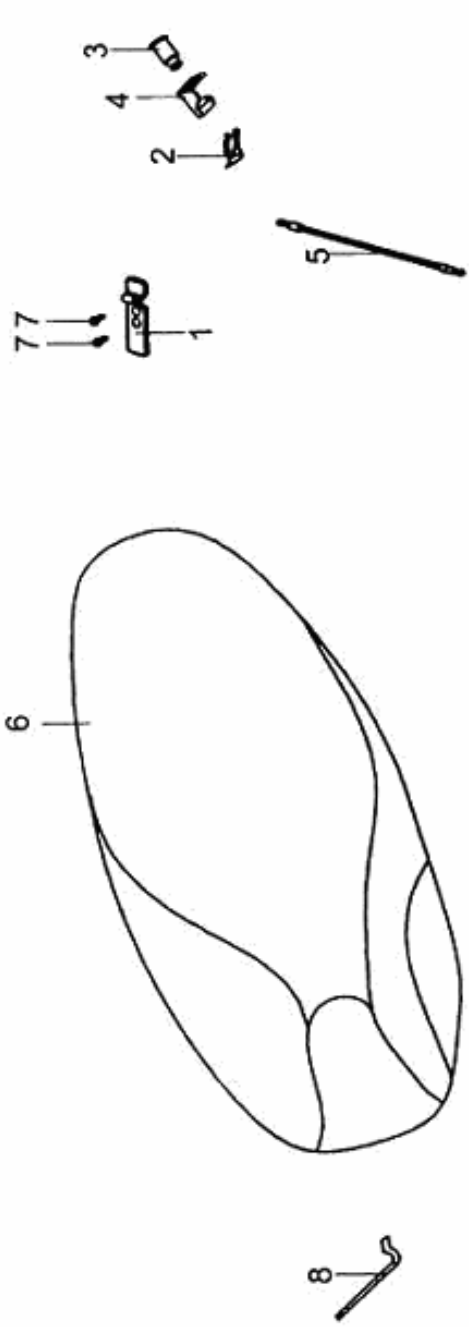
F-14 REAR WHEEL



13A

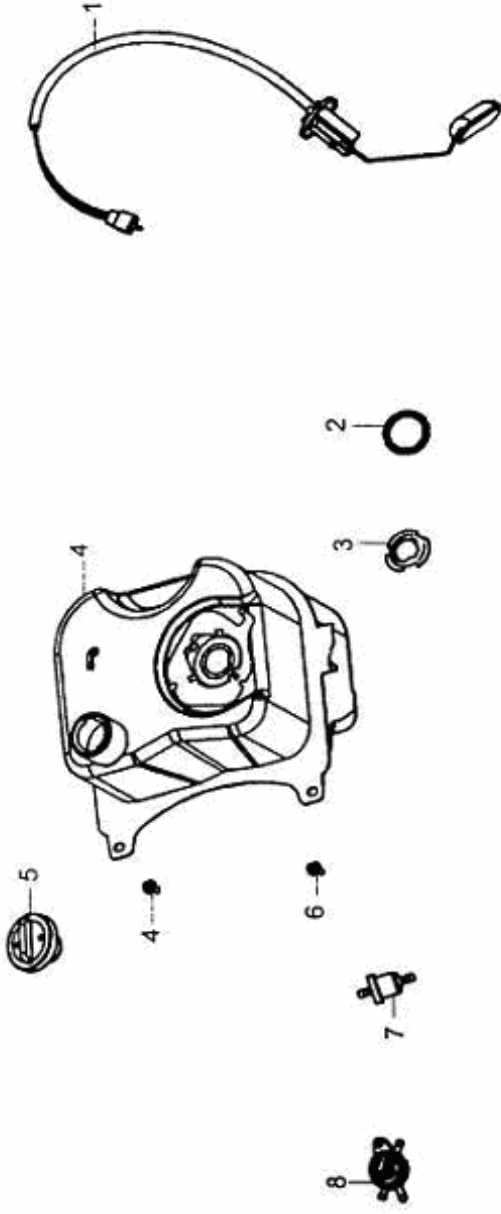
REF.	Part No.	Description	Qty	Remarks
1	7216-0002	Rear Tire	1	Sold Separately or as Assembly
2	7219-0002	Rr. Rim Wheel Comp.	1	Sold Separately or as Assembly
3	7252-0016	Locked Nut M16 x 1.5	1	
4A		Rear Brake Shoe Assy.	1	(4/5/11)
4	7252-0023	Rr. Brake Shoe	1	Sold as Assembly
5	7257-0002	Rr. Wheel Spring	2	Sold as Assembly
6	7252-0018	Rr. Brake Camshaft	1	
7	7252-0019	Rr. Brake Arm	1	
8	7252-0020	Pin	1	
9	7200-0096	Nut	1	
10	7200-0097	Bolt	1	
11	7252-0021	Rr. Brake Shoe Assy (B)	1	Sold as Assembly
12	7252-0022	Valve Stem	1	
13A		Rear Wheel Assy.	1	(1/2)

F-15 SEAT CUSHION



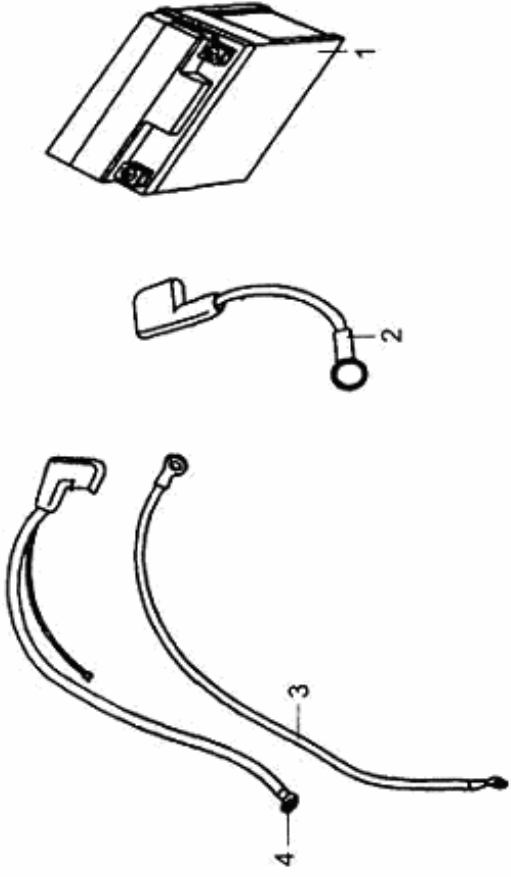
REF.	Part No.	Description	Qty	Remarks
1	7240-0020	Seat Lock Plate	1	
2	7240-0021	Spring Clip	1	
3	7240-0022	Seat Lock Comp	1	
4	7240-0023	Seat Bracket Comp	1	
5	7240-0024	Seat Lock Cable Comp	1	
6	7250-0018	Seat Cushion	1	
7	7200-0098	Screw (Seat Lock)	2	
8	7240-0025	Socket Pin	1	

F-16 FUEL TANK



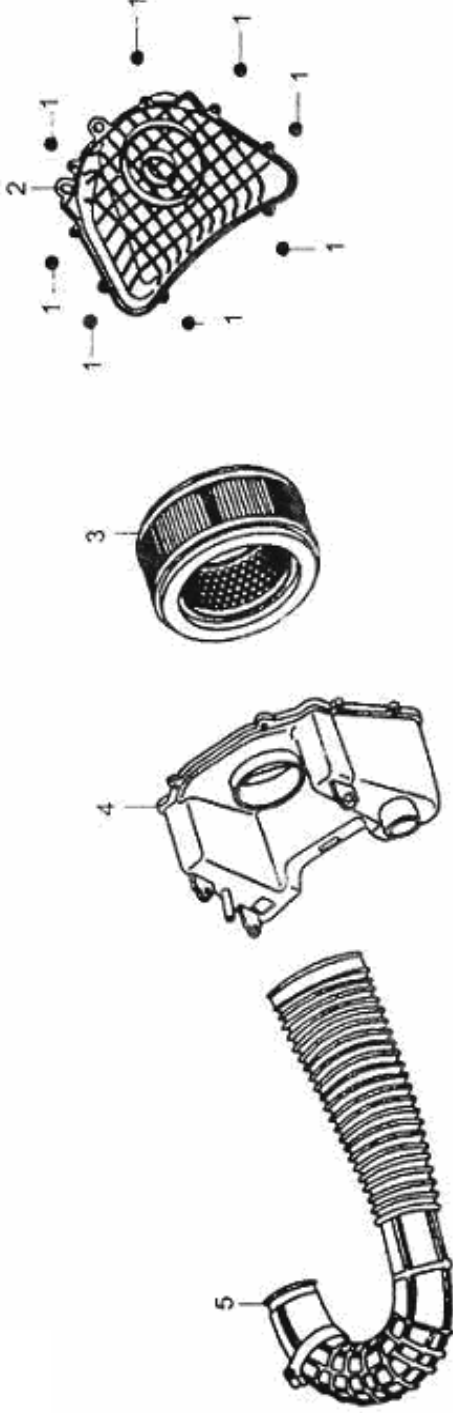
REF.	Part No.	Description	Qty	Remarks
1	7240-0026	Fuel Unit	1	
2	7240-0027	Packing Base	1	
3	7240-0028	Retainer Fuel Unit	1	
4	7250-0019	Fuel Tank Comp	1	
5	7240-0029	Fuel Filler Cap Comp	1	
6	500-1009	Flange Bolt M06 x 12	2	
7	7240-0030	Fuel Strainer	1	
8	7240-0031	Fuel Petcock	1	

F-17 BATTERY



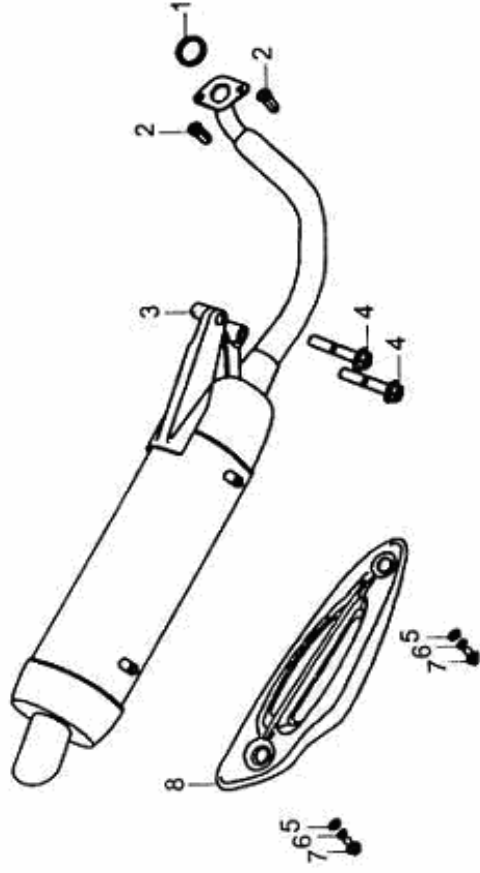
REF.	Part No.	Description	Qty	Remarks
1a	7209-0020	Battery- A. Small (5 3/4x3 3/4 x 3 1/4)	1	Small
1b	7209-0043	Battery -B Large (6 1/2X2 3/4X7)	1	Large
2	7209-0021	“+” Cable	1	
3	7209-0022	“-“ Cable - A	1	
4	7209-0023	“-“ Cable - B	1	

F-18 AIR CLEANER



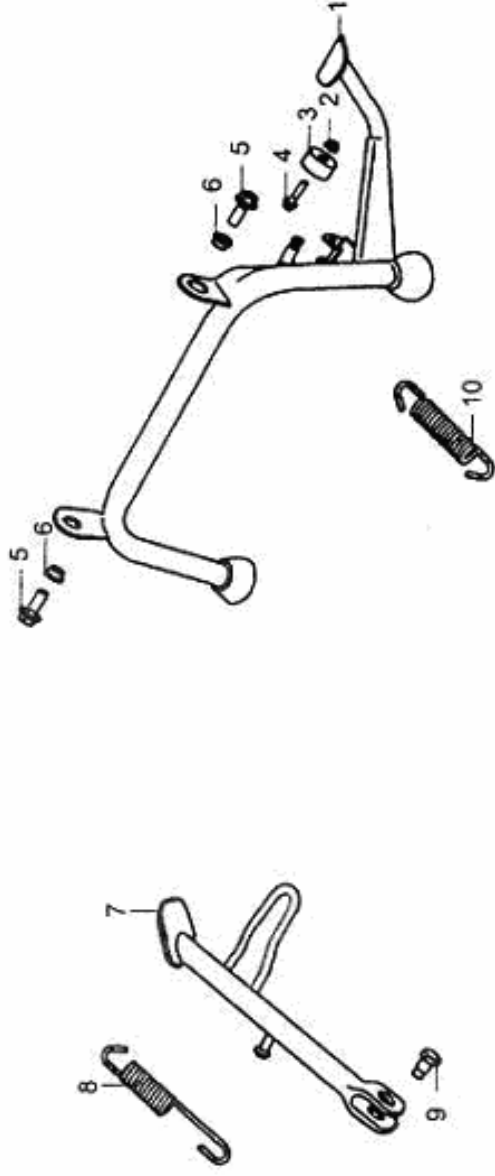
REF.	Part No.	Description	Qty	Remarks
1	7200-0035	Tapping Screw ST4.2 x 13	8	
2	7250-0020	Air Cleaner Cover	1	
3	7213-0111	Element Air Filter	1	
4	7213-0112	Air Cleaner Body	1	
5	7213-0113	Air Filter Tube	1	

F-19 EXHAUST MUFFLER



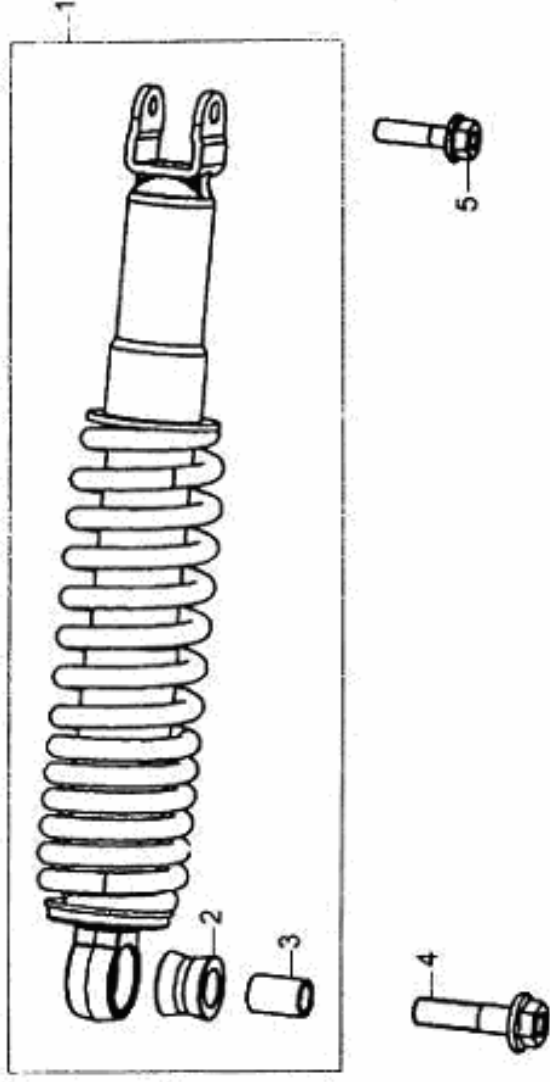
REF.	Part No.	Description	Qty	Remarks
1	7213-0114	Exhaust Pipe Gasket	1	
2	7200-0101	Cap Nut M06	2	
3	7213-0115	Muffler	1	
4	7200-0019	Hex Bolt M10 x 55	2	
4a		Lock Washer (not shown)		
5	500-1305	Washer 6	2	
6	7200-0028	Spring Washer 6	2	
7	8200-0161	Bolt M06 x 10	2	
8	7213-0116	Muffler Protector	1	

F-20 STAND



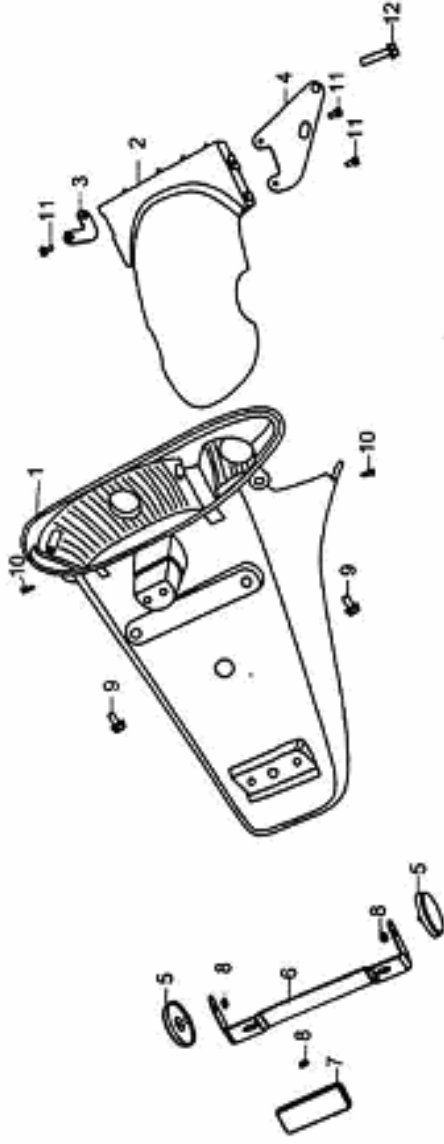
REF.	Part No.	Description	Qty	Remarks
1	7250-0021	Main Stand	1	
2	500-3019	Nut M06	1	
3	7240-0032	Damper Rubber Sprocket	1	
4	500-1058	Flange Bolt M06 x 25	1	
5	8200-1101	Flange Bolt M10 x 25	2	
6	7240-0033	Frame Collar	2	
7	7250-0022	Side Stand Comp	1	
8	7257-0003	Side Stand Comp Spring	1	
9	7200-0109	Side Stand Bolt. M10	1	
10	7257-0004	Frame Comp Spring	1	

F-21 REAR CUSHION



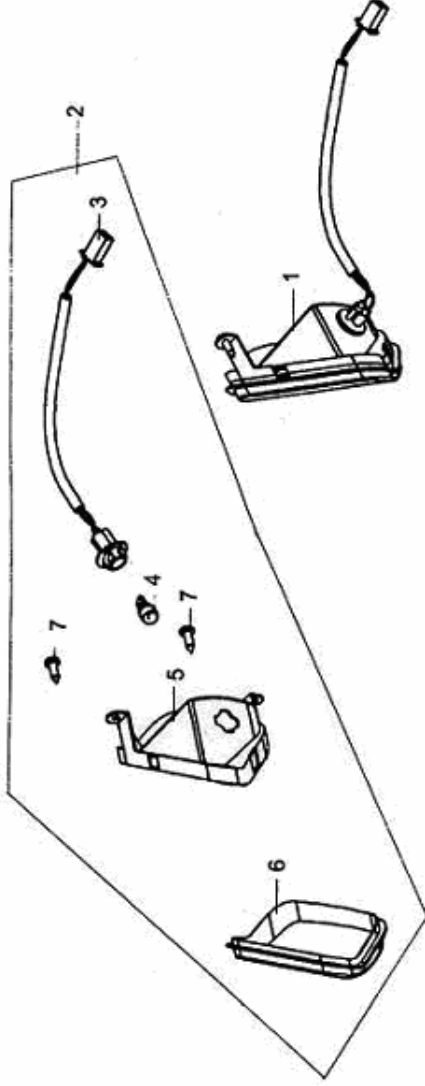
REF.	Part No.	Description	Qty	Remarks
1	7253-0001	Rr. Cushion Assy (3 pcs/set)	1	
2	7240-0034	Rubber Bushing	1	Sold as Assembly
3	7240-0035	Rubber Bushing Collar	1	Sold as Assembly
4	8200-0152	Flange Bolt M10 x 40	1	
5	7200-0111	Flange Bolt M8 x 30	1	

F-22 REAR FENDER



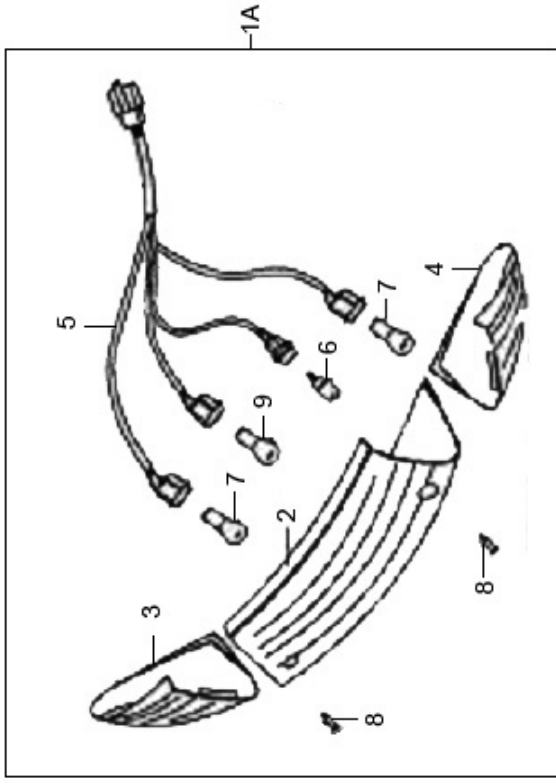
REF.	Part No.	Description	Qty	Remarks
1	7250-0023	Rr. Fender	1	
2	7250-0024	Rr. Wheel Inner Fender	1	
3	7240-0036	L. Rr. Wheel Fender Comp Plate	1	
4	7240-0037	R. Rr. Wheel Fender Comp Plate	1	
5	7240-0038	L. & R. Reflector	2	
6	7240-0039	Bracket	1	
7	7240-0040	Rr. Reflector	1	
8	500-1048	Nut M05	3	
9	500-1114	Bolt M8 x 16	2	
10	500-1062	Screw ST4.8 x 16	2	
11	500-1084	Bolt M06 x 12	3	
12	7200-0116	Bolt M10 x 45	1	

F-23 TURN SIGNALS



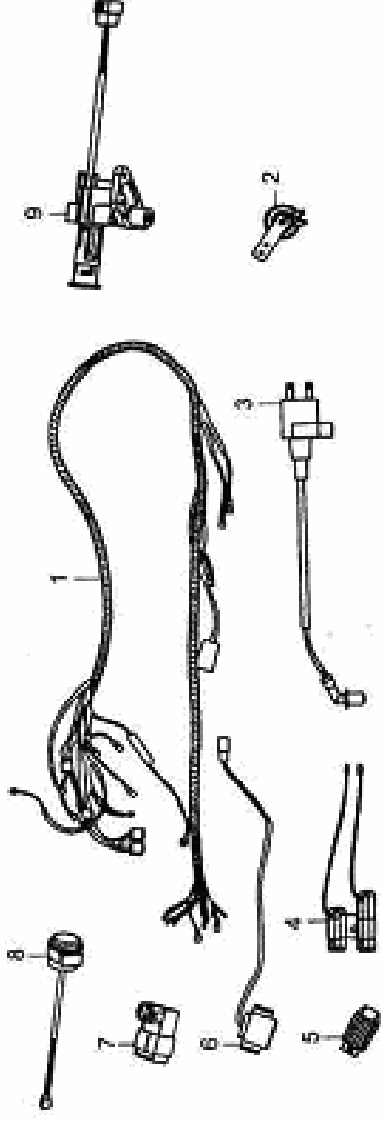
REF.	Part No.	Description	Qty	Remarks
1	7209-0024	L. Fr. Turn Signal	1	
2	7209-0025	R. Fr. Turn Signal	1	
3	7209-0026	Light Holder	1	
4	7209-0027	L. Fr. Bulb	1	
5	7240-0041	Turn Signal Holder	1	
6	7240-0042	Turn Signal Lens	1	
7	7200-0117	Screw (Turn signal)	2	

F-24 TAIL LIGHT



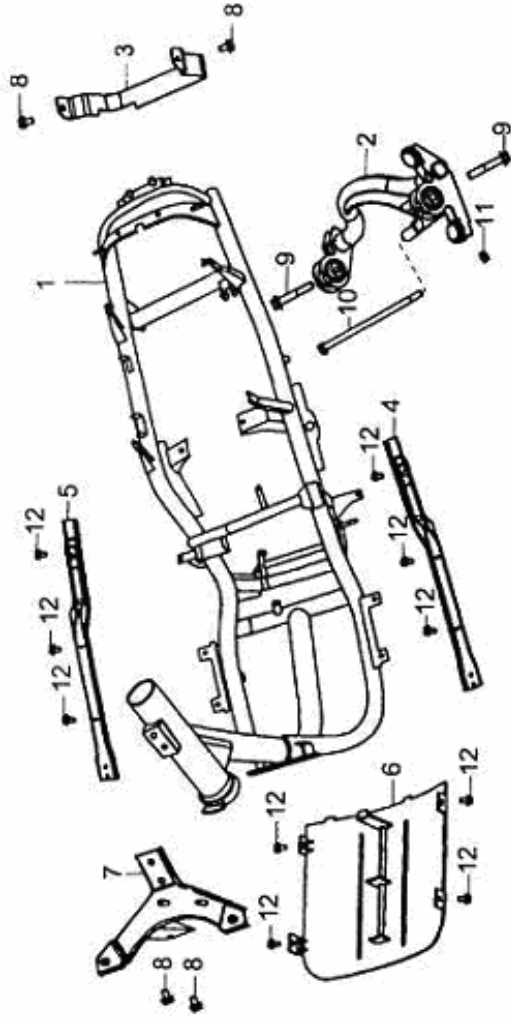
REF.	Part No.	Description	Qty	Remarks
1A	7209-0028	Rr. Tail Light Assy	1	(2/3/4/5/6/7/8/9)
2	7250-0025	Rr. Tail Light Cover	1	
3	7250-0026	L. Rr. Turn Signal Cover	1	
4	7250-0027	R. Rr. Turn Signal Cover	1	
5	7209-0029	Tail Light Holder	1	
6	7209-0030	Bulb 12V 5W (Tailight)	1	
7	7209-0030	Bulb 12V 10/5W (Tailight)	2	
8	7200-0117	Screw (Tailight)	2	
9	7209-0044	Bulb 12V 21.5 W(Tailight)	1	

F-25 WIRE HARNESS



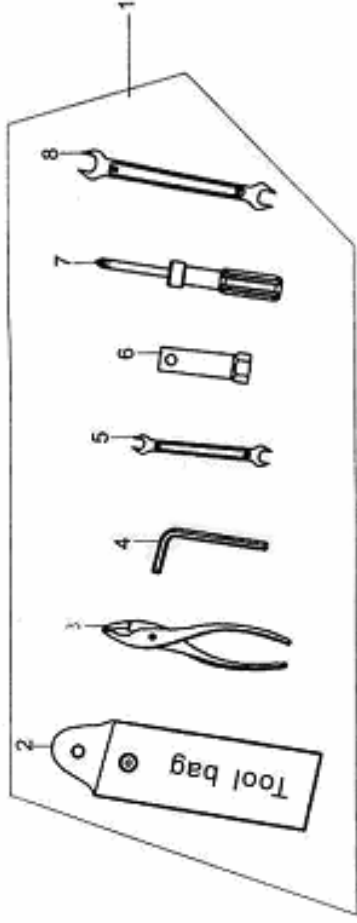
REF.	Part No.	Description	Qty	Remarks
1	7209-0032	Wire Harness	1	
2	7209-0033	Horn	1	
3	7209-0034	Ignition Coil Wire	1	
4	7209-0035	Resistor	1	
5a	7209-0036	Regulator	1	
5b	7209-0043	Regulator with wire	1	
6	7209-0037	Relay Start Comp	1	
7	7209-0038	CDI	1	
8	7209-0039	Turn Signal Relay Comp	1	
9	7209-0040	Key Blank Set	1	

F-26 FRAME BODY



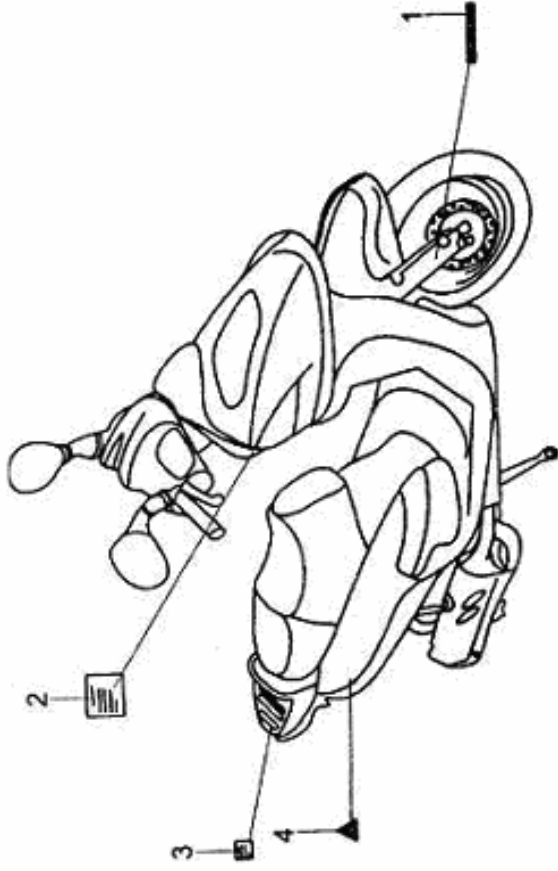
REF.	Part No.	Description	Qty	Remarks
1	7250-0028	Frame Body	1	
2	7240-0043	Engine Hanger	1	
3	7240-0044	Fuel Tank Holder	1	
4	7240-0045	L. Step Plate Comp	1	
5	7240-0046	R. Step Plate Comp	1	
6	7250-0029	Frame Fender	1	
7	7240-0047	Head Light Bracket	1	
8	7200-0021	Bolt M8 x 12	4	
9	7200-0019	Bolt M10 x 55	2	
10	7200-0018	Bolt M10 x 185	1	
11	7200-3003	Nut M10	1	
12	8200-0161	Bolt M06 x 10	10	

F-27 TOOL SET



REF.	Part No.	Description	Qty	Remarks
1	7208-0001	Tool Set-7 pieces	1	
2	7208-0002	Tool Bag	1	
3	7208-0003	Pliers 165	1	
4	7208-0004	Wrench	1	
5	7208-0005	Wrench 10-12	1	
6	7208-0006	Spark Plug Collar Comp	1	
7	7208-0007	Pliers	1	
8	7208-0008	Wrench 12-14	1	

F-28 LABELS



REF.	Part No.	Description	Qty	Remarks
1	7240-0048	Label	2	
2	7240-0049	Warning Label	1	
3	7240-0050	Carrier Plate Label	1	
4	7240-0051	Triangle Warning Label	1	